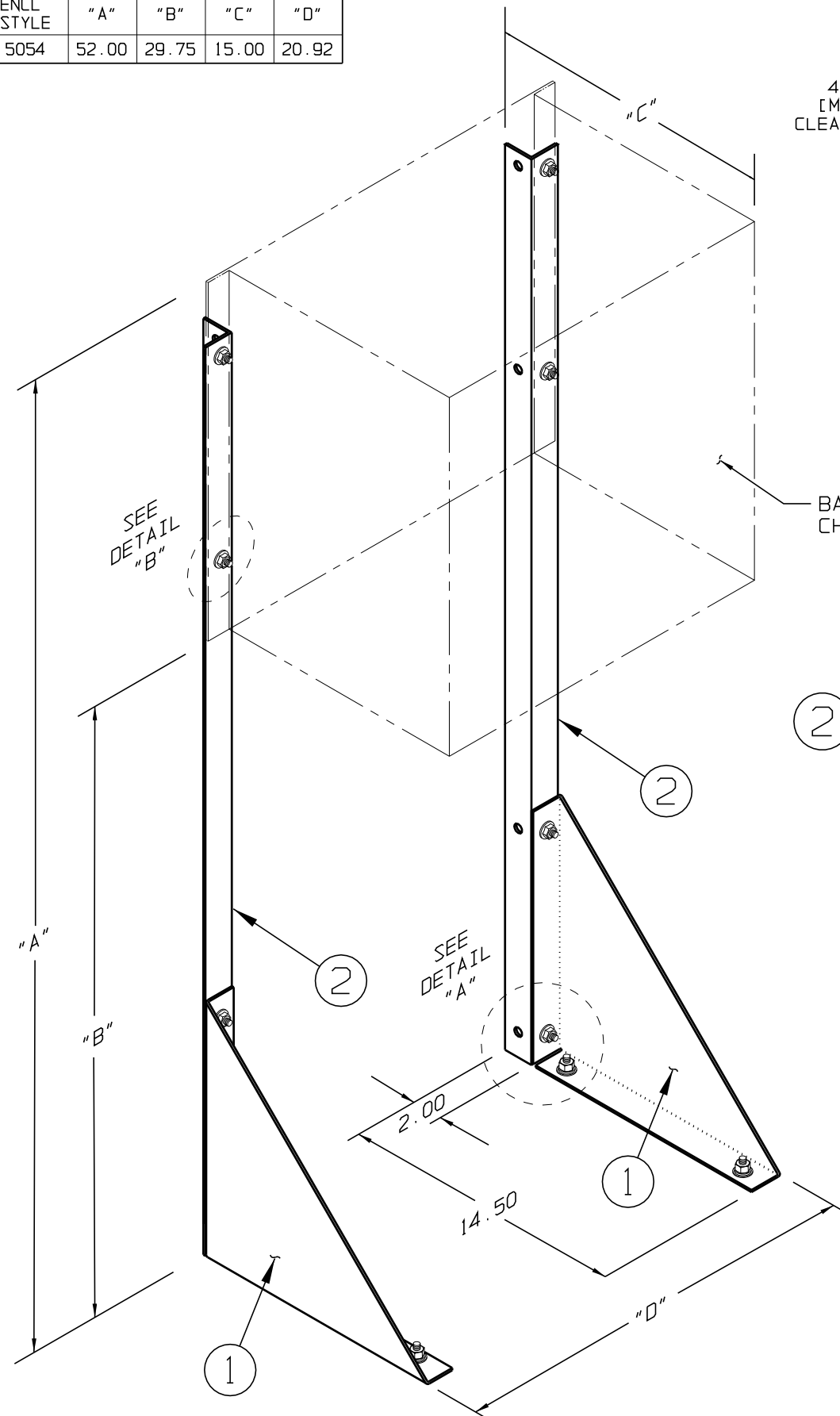
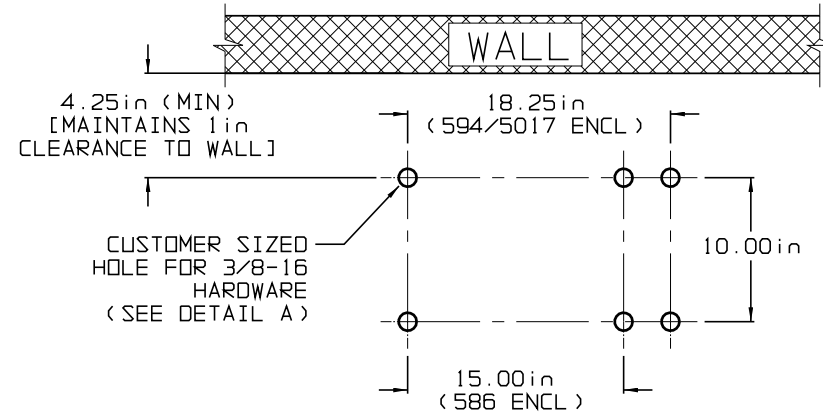


OUTLINE DIMENSIONS

ENCL STYLE	"A"	"B"	"C"	"D"
5054	52.00	29.75	15.00	20.92



DRILLING TEMPLATE



RECOMMENDED PROCEDURE

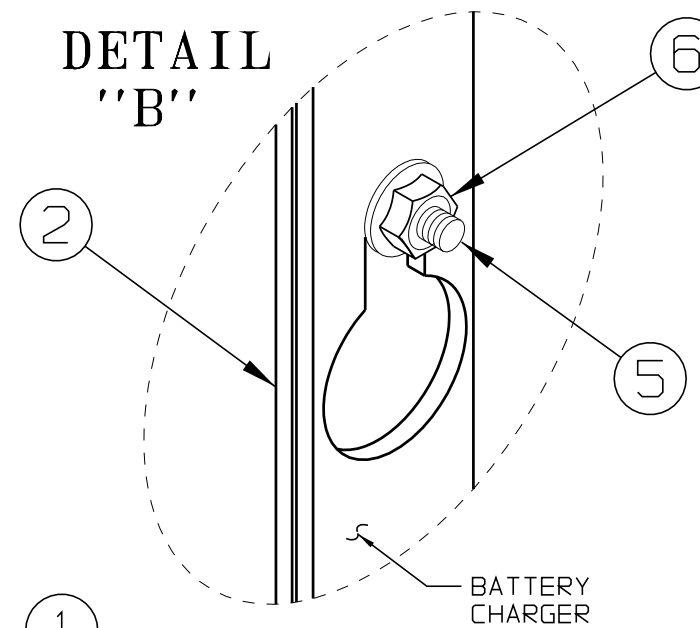
- 1) CREATE LEFT AND RIGHT SUB-ASSEMBLIES BY MOUNTING ITEM 1 TO ITEM 2 WITH INCLUDED HARDWARE, SEE PICTORIAL VIEW AND DETAIL "A"
- 2) MOUNT SUB-ASSEMBLIES (FROM STEP 1) TO MOUNTING SURFACE WITH USER SUPPLIED HARDWARE (NOT INCLUDED), SEE DRILLING TEMPLATE AT LEFT AND DETAIL "A"
- 3) MOUNT BATTERY CHARGER TO ASSEMBLY USING SUPPLIED HARDWARE AS SHOWN, SEE PICTORIAL VIEW AND DETAIL "B"

TORQUE SPECIFICATIONS

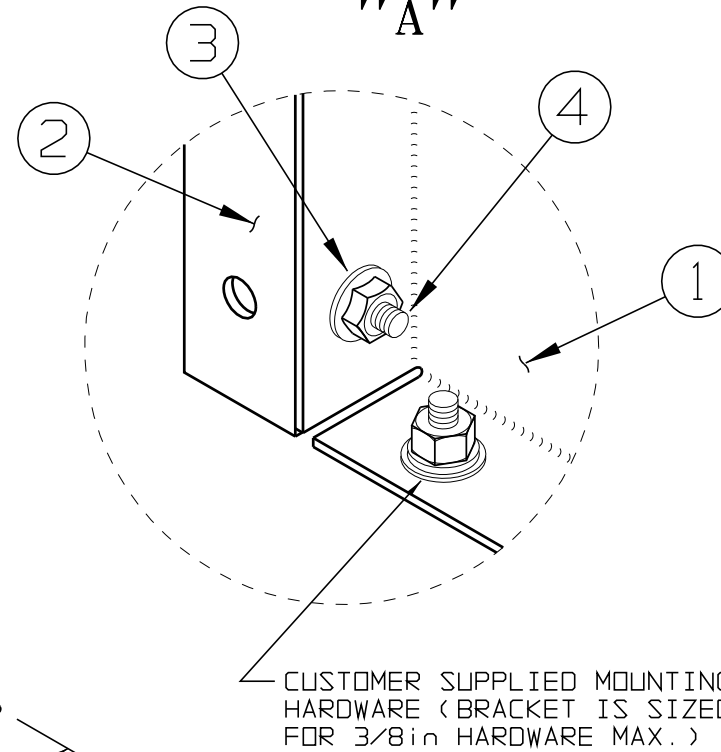
BOLT SIZE	TORQUE RANGE
8	10-15
10	16-24
1/4	57-77
5/16	119-158
3/8	17-23 (*)
1/2	43-57 (*)

ALL TORQUE RANGES ARE IN in-lb EXCEPT AS NOTED (*) RATED IN ft-lb

DETAIL "B"



DETAIL "A"



CUSTOMER SUPPLIED MOUNTING HARDWARE (BRACKET IS SIZED FOR 3/8in HARDWARE MAX.)

BILL OF MATERIAL: EI0192-50

ITEM NUMBER	PART No.	DESCRIPTION	QUANTITY PER ASSY
①	FC0608-00	BKT, FLOOR-MOUNTING-BASE, AT10	2
②	FC0611-00	BKT, FLOOR-MTG-ANGLE, AT10	2
③	PE0269-09	NUT, ZPS, 3/8-16, SERRATED-FLANGE	4
④	PE0027-04	SCW, ZPS, HHTB, 3/8-16X1.00	4
⑤	PE0025-02	SCW, ZPS, HHTB, 1/4-20X0.75	4
⑥	PE0269-07	NUT, ZPS, 1/4-20, SERRATED-FLANGE	4
-	JA0083-50	USER INSTRUCTIONS (this sheet)	1

				THIRD ANGLE PROJECTION			
DRAWN BY		MCR	070121		TITLE		
APPROVED		N/A	-N/A--		ATEvo SERIES CHARGER, FLOOR-MTG BRACKET		
				CUSTOMER INSTALLATION INSTRUCTIONS			
A	-N/A-	070121	N/A	DRAWING No		JA0083-50	REV A
REV	ECN No	DATE	APP	SCALE		NTS	PART No
				JA0083-50		SHEET	1 OF 1