

INSTRUCTIONS FOR FIELD INSTALLATION OR REPLACEMENT OF THE EJ1074-00 (VR3) LIGHTNING ARRESTOR OPTION.

THESE INSTRUCTIONS ARE APPLICABLE FOR REPLACEMENT OF THE LIGHTNING ARRESTOR, VR3, FOR ANY AT10 SERIES BATTERY CHARGER. NOTE THAT THE LIGHTNING ARRESTOR IS TREATED AS A SINGLE ENTITY AND TROUBLESHOOTING WITHIN THE LIGHTNING ARRESTOR DEVICE IS NOT SUPPORTED.

WARNING

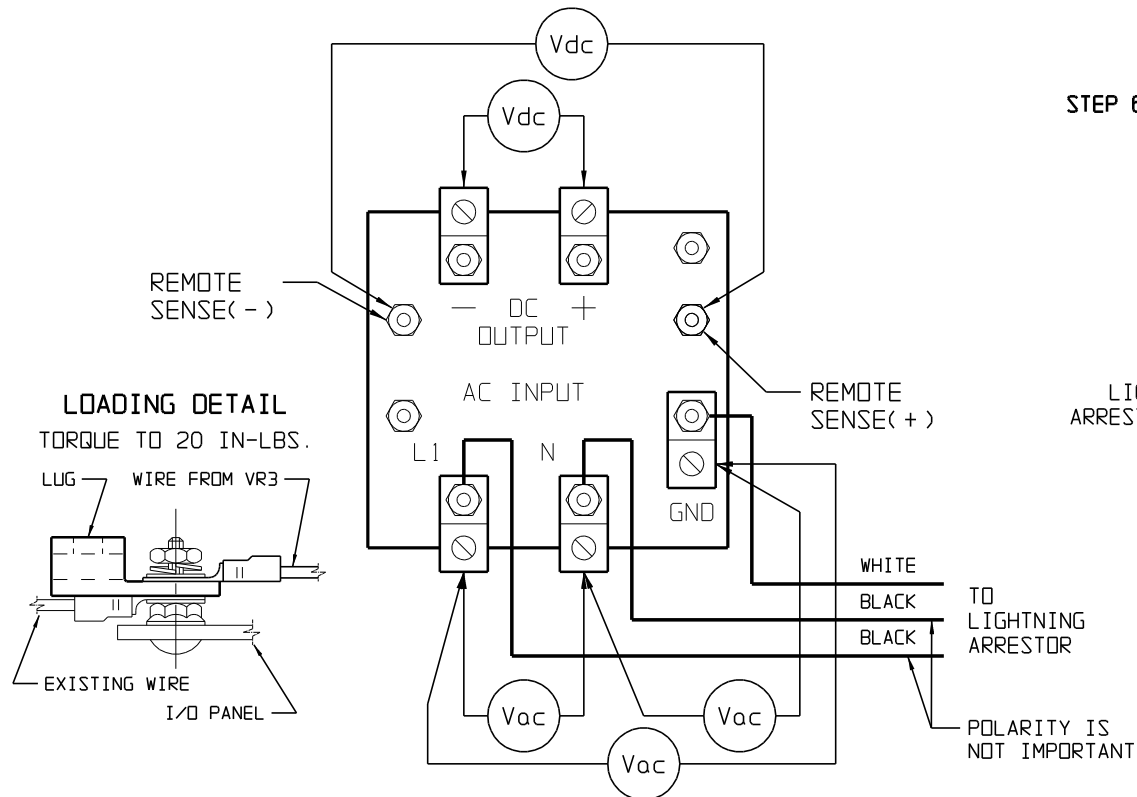
DISCONNECT AND LOCK OUT ALL POWER TO THE BATTERY CHARGER BEFORE STARTING ANY MAINTENANCE PROCEDURES. TURN THE AC POWER OFF AT THE DISTRIBUTION PANEL UPSTREAM FROM THE BATTERY CHARGER. DISCONNECT THE BATTERY FROM THE CHARGER OUTPUT TERMINALS. THIS INCLUDES REMOTE SENSE WIRES IF THEY WERE INSTALLED.

STEP 1. UPON OPENING PACKAGE, PLEASE INSPECT AND CHECK THAT YOUR PACKAGE CONTAINS THE FOLLOWING ITEMS:

- (1) RK0040-01 SRG,SUP,LIGHTNING ARRESTOR 2P.520V, VR3.
- (1) FC0612-00 LIGHTNING ARRESTOR MOUNTING BRACKET.
- (2) PE0181-02 CONDUIT LOCKNUT 3/4".
- (3) RCO024-12 TERMINAL RING LUG. 16-14 AWG #10 HOLE.
- (2) PE0291-01 SELF-TAPPING SCREW 8-32 x .5 TYPE-F.
- (1) JA0094 INSTRUCTIONS FOR INSTALLATION (THIS DOCUMENT).

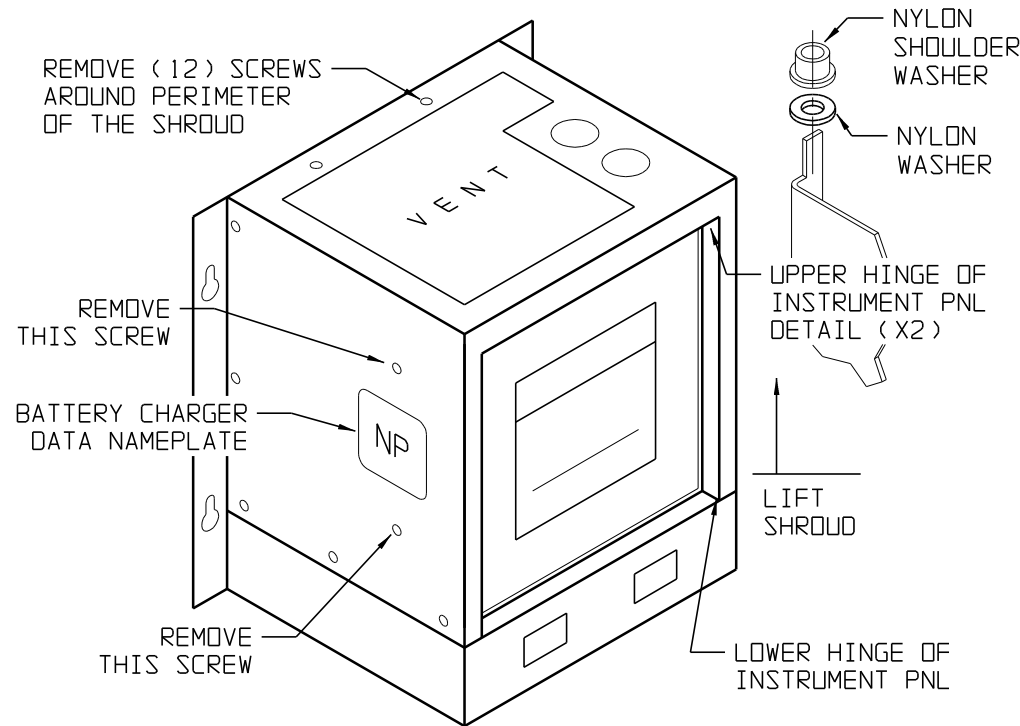
STEP 2. OPEN INSTRUMENT PANEL DOOR AND REMOVE THE SAFETY SHIELD.

STEP 3. USING A VOLTMETER, VERIFY THAT ALL POTENTIAL VOLTAGES ON THE I/O PANEL ARE ZERO.



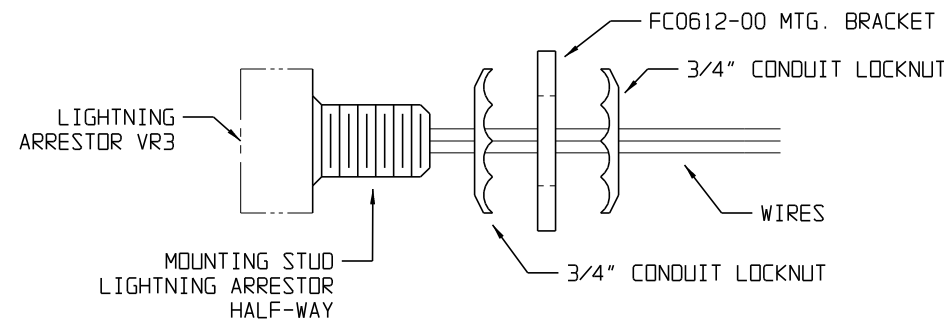
NOTICE. TO INSTALL OR REPLACE THE LIGHTNING ARRESTOR OPTION ON THE AT10 SERIES BATTERY CHARGER IS NECESSARY TO FULLY REMOVE THE SHROUD AND THE INSTRUMENT PANEL. PROCEED WITH THE FOLLOWING INSTRUCTIONS.

STEP 4. REMOVE THE (2) SCREWS FROM THE MIDDLE OF THE EXTERIOR LEFT SIDE OF THE ENCLOSURE (ABOVE AND BELOW NAMEPLATE) AND THE REMAINING SCREWS AROUND THE SHROUD.

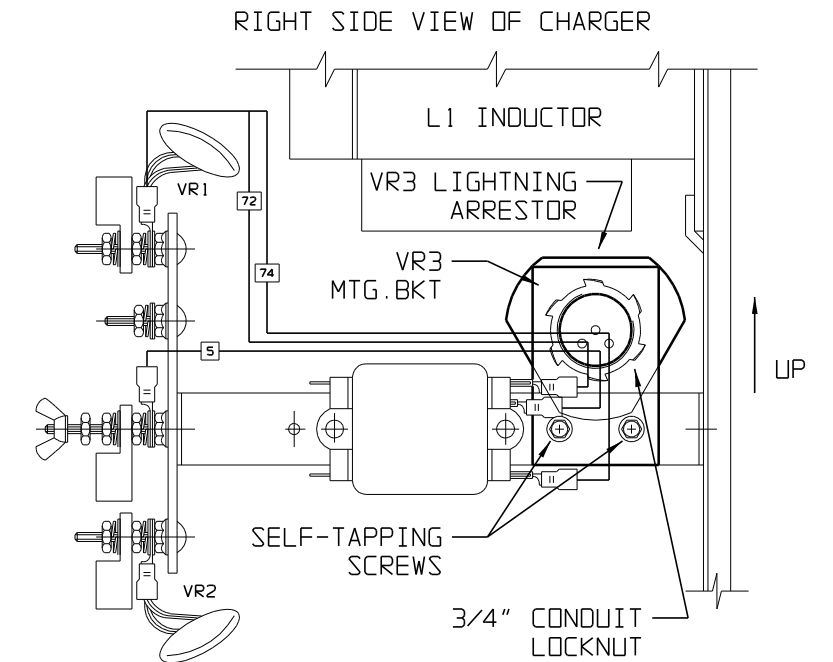


STEP 5. START LIFTING THE SHROUD UP AND AT THE SAME TIME HOLD THE INSTRUMENT PANEL. THE INSTRUMENT PANEL IS LOOSE ONCE YOU REMOVE THE SHROUD, DO NOT LOOSE HINGE HARDWARE. BE VERY CAREFUL NOT TO DAMAGE THE PRINTED CIRCUIT BOARDS THAT ARE MOUNTED BEHIND THE INSTRUMENT PANEL.

STEP 6. TAKE THE LIGHTNING ARRESTOR, VR3 RK0040-01, AND INSTALL, ONE CONDUIT KNOCKOUT NUT, HALF WAY THROUGH WITH THE SHARP POINTS FACING AWAY FROM DEVICE; INSTALL FC0612-00 LIGHTNING ARRESTOR MOUNTING BRACKET, SECURE BRACKET BY USING THE OTHER CONDUIT KNOCKOUT NUT. (SHARP EDGE TOWARD BRACKET) TIGHTEN WITH FINGERS TEMPORARILY.



STEP 7. INSTALL LIGHTNING ARRESTOR ASSEMBLY AS SHOWN BELOW; PLEASE NOTE THE ORIENTATION OF LIGHTNING ARRESTOR AND MOUNTING BRACKET. FASTEN BY USING THE (2) 8-32 x .5 SELF TAPPING SCREWS. NOW TIGHTEN THE 3/4" CONDUIT LOCKNUT.



STEP 8. ROUTE THE LIGHTNING ARRESTOR WIRES TO THE RESPECTIVE TERMINALS IN THE I/O PANEL AS SHOWN IN STEP 3. TRIM WIRE LENGTH AS NEEDED. STRIP OFF 1/4" OF INSULATION FROM EACH LIGHTNING ARRESTOR WIRE AND APPLY A RING LUG TO EACH WIRE. CRIMP PROPERLY. APPLY LUGGED WIRES TO I/O TERMINALS AS SHOWN IN STEP 3, FOLLOW LOADING DETAIL.

STEP 9. CHECK YOUR WORK, READ ALL THE STEPS AGAIN AND MAKE SURE THAT ALL THE INSTRUCTIONS WERE PROPERLY DONE.

STEP 10. MAKE SURE THAT LIGHTNING ARRESTOR WIRES ARE OUT OF THE WAY OF THE SHROUD, REPLACE SHROUD AND INSTRUMENT PANEL, DO NOT FORGET TO REINSTALL PLASTIC WASHER ON DOOR HINGE. SECURE SHROUD BY REPLACING ALL 12 SCREWS AROUND, AND THE 2 SCREWS NEAR NAMEPLATE.

STEP 11. REPLACE SAFETY SHIELD. CLOSE DOOR AND PROCEED TO RE-ENERGIZE THE AT10 PER START-UP INSTRUCTIONS ACCORDING WITH THE AT10 USER'S MANUAL.

				THIRD ANGLE PROJECTION	
DRAWN BY		011695		TITLE AT10.1 SERIES GRP I CUSTOMER INSTALLATION INSTRUCTIONS: AC INPUT LIGHTNING ARRESTOR	
APPROVED		WAH 011995		DRAWING No JA0094-00	
UNLESS OTHERWISE NOTED DIMENSIONS ARE IN INCHES. TOLERANCES ARE:				REV 18 B	
REV	ECN No	DATE	APP	SCALE NTS	PART No JA0094-00 SHEET 1 OF 1