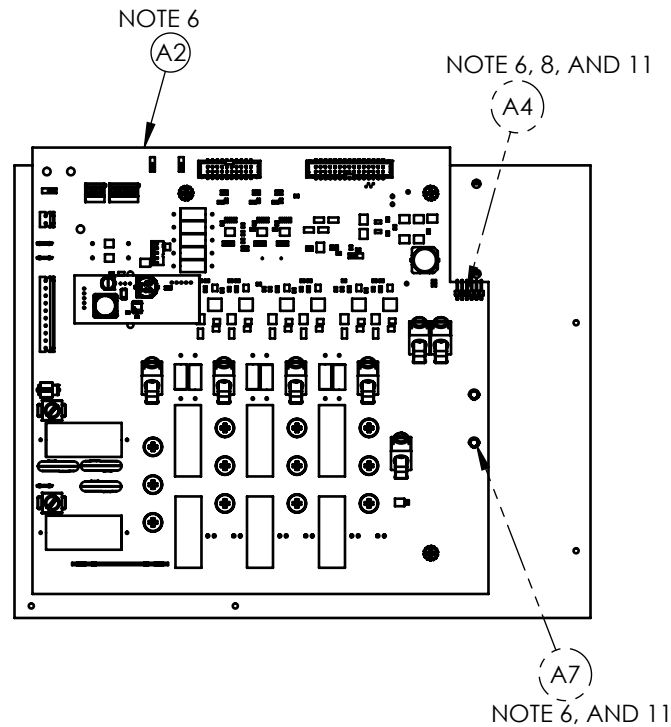


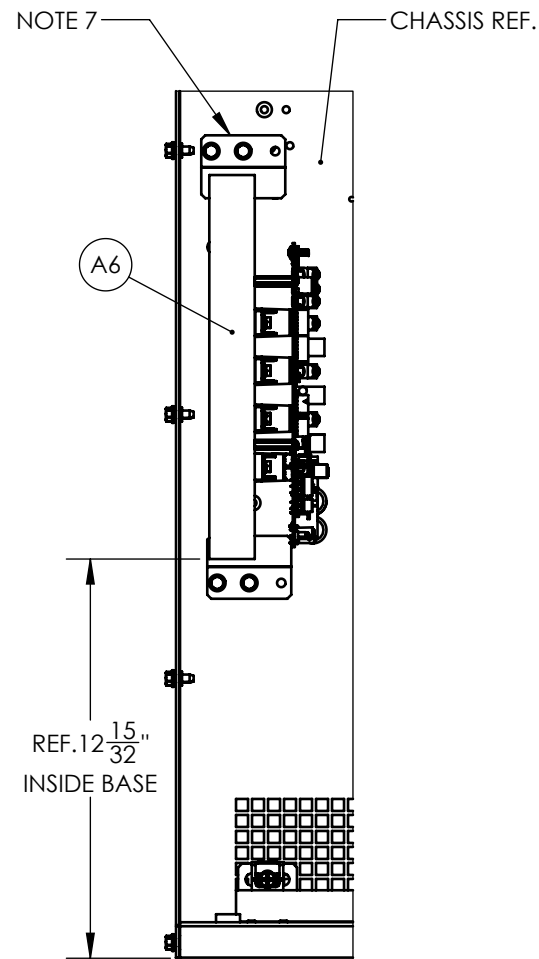
REPLACEMENT KIT

PART NUMBERS:

- EJ5333-12.
- EJ5333-13.
- EJ5333-14.
- EJ5333-15.



A6 RECTIFIER ASSY.



MOUNTING - FRONT VIEW
SCALE 1:6

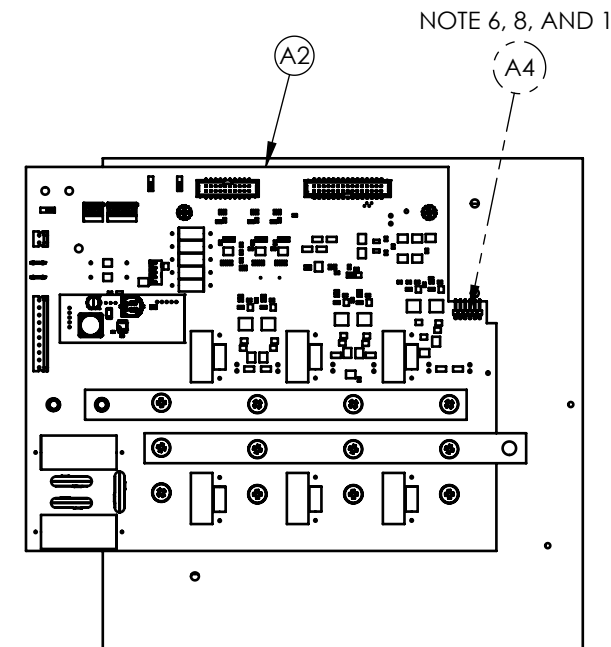
INSTRUCTIONS:

1. TURN OFF (OPEN) THE AC INPUT CIRCUIT BREAKER (CB1), AND DC OUTPUT CIRCUIT BREAKER (CB2).
2. ALLOW INTERNAL VOLTAGES TO DISSIPATE.
3. OPEN DOOR PANEL, AND CAREFULLY REMOVE PLEXIGLASS SHIELDS.
4. USING A VOLTMETER, VERIFY ALL POTENTIAL VOLTAGES IN CHARGER ARE AT "0".
5. LOCATE (A6) RECTIFIER ON LEFT SIDE OF BASE.
6. DISCONNECT ALL LEADS, AND (IF SUPPLIED) CAP BOARD (A7), AND AUX I/O BOARD (A4) FROM POWER BOARD (A2).
7. REMOVE MOUNTING BRACKETS SECURING (A6) ASSEMBLY, AND LIFT (A6) RECTIFIER OUT OF CHARGER ASSEMBLY.
8. IF REQUIRED, REMOVE THE AUX BOARD (A4) BRACKET AND MOUNT TO REPLACEMENT (A6) RECTIFIER.
9. IDENTIFY YOUR RECTIFIER TYPE, THEN INSTALL ASSEMBLY USING DIMENSIONS PROVIDED.
10. USE 1/4"-20 HARDWARE & MOUNTING BRACKETS TO FASTEN REPLACEMENT (A6) RECTIFIER ASSEMBLY TO CHASSIS.
11. IF REQUIRED, REINSTALL (A7) CAP BOARD, AND AUXILIARY RELAY BOARD (A4) IN LOCATIONS SHOWN, USING EXISTING HARDWARE.
12. REFER TO CONNECTION DIAGRAM (SHEET 2 OF 2), AND REATTACH LEADS TO (A6) POWER BOARD.

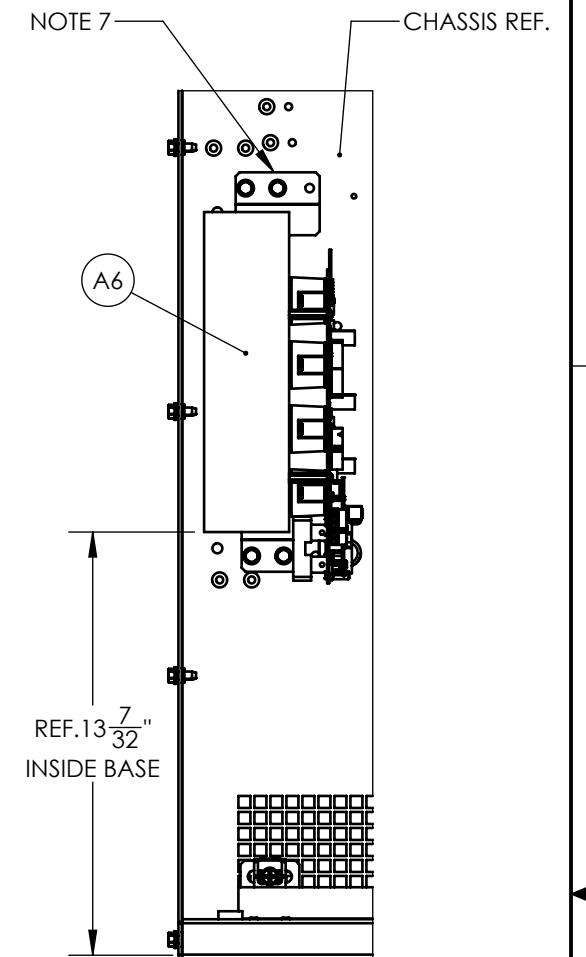
REPLACEMENT KIT

PART NUMBERS:

- EJ5333-22.
- EJ5333-23.
- EJ5333-24.



A6 RECTIFIER ASSY.



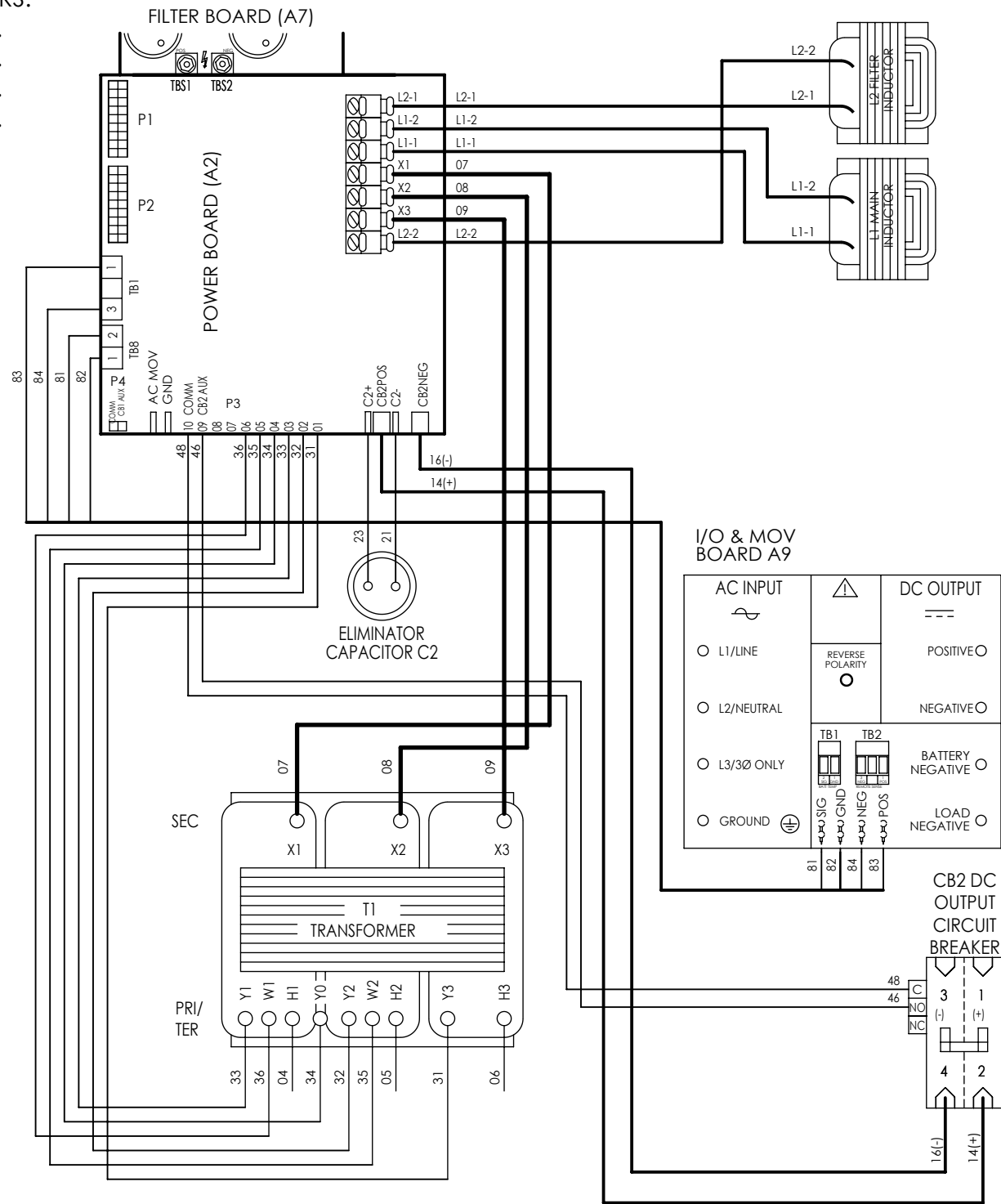
MOUNTING - FRONT VIEW
SCALE 1:6

REV. 0	DRN BY	CHK BY	APP BY	DATE 4/29/2022	DRN BY <i>KJB</i>	DATE: 4/7/2022	TITLE Atevo Service Instructions Rectifier Assembly/Install Evo Style-5070 3Ø 16-100Adc
DESCRIPTION Initial Release				CHK BY <i>MS</i>	DATE: 4/29/2022	UNLESS OTHERWISE SPECIFIED ALL DIMENSIONS FOLLOW THE ANSI SYSTEM IPS (INCHES-POUNDS & SECONDS) TOLERANCES ARE: FRAC. ±1/64, DEC. ±0.15, ANG ±.25°	
PROPRIETARY AND CONFIDENTIAL NOTICE ANY REPRODUCTION, PARTIAL OR AS A WHOLE OF THIS DOCUMENT WITHOUT THE WRITTEN PERMISSION OF HINDLE POWER, INC IS STRICTLY PROHIBITED.				APP BY <i>MCR</i>	DATE: 4/29/2022		
SCALE 1:4				DWG No JD5076-30		REV 0	SHEET 1 OF 2

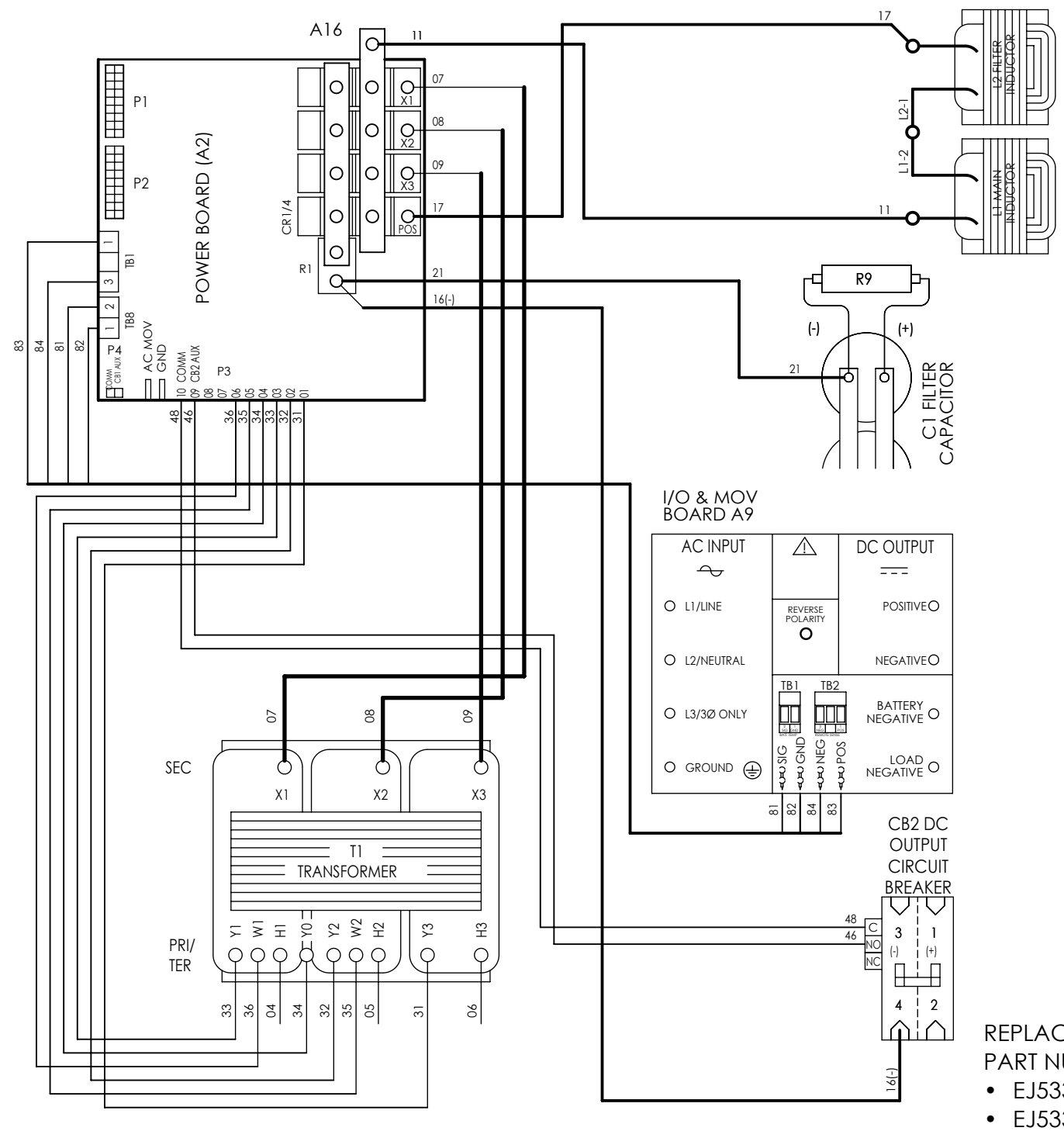
REPLACEMENT KIT
PART NUMBERS:

- EJ5333-12.
- EJ5333-13.
- EJ5333-14.
- EJ5333-15.

STYLE 5070 16-50A_{dc} CONNECTION DIAGRAM



STYLE 5070 75-100A_{dc} CONNECTION DIAGRAM



REPLACEMENT KIT
PART NUMBERS:

- EJ5333-22.
- EJ5333-23.
- EJ5333-24.

REV. 0	DRN BY <i>KWB</i>	CHK BY	APP BY	DATE 4/29/2022	DRN BY <i>KWB</i>	DATE: 4/7/2022	TITLE Atevo Service Instructions Rectifier Assembly/Install Evo Style-5070 3Ø 16-100A _{dc}
DESCRIPTION Initial Release					CHK BY <i>MS</i>	DATE: 4/29/2022	
					APP BY <i>MCR</i>	DATE: 4/29/2022	
<small>UNLESS OTHERWISE SPECIFIED ALL DIMENSIONS FOLLOW THE ANSI SYSTEM IPS (INCHES-POUNDS & SECONDS) TOLERANCES ARE: FRAC. ±1/64, DEC. ±0.15, ANG ±.25°</small>							SCALE B 1:4
<small>PROPRIETARY AND CONFIDENTIAL NOTICE ANY REPRODUCTION, PARTIAL OR AS A WHOLE OF THIS DOCUMENT WITHOUT THE WRITTEN PERMISSION OF HINDLE POWER, INC IS STRICTLY PROHIBITED.</small>							DWG No JD5076-30
					REV 0		SHEET 2 OF 2