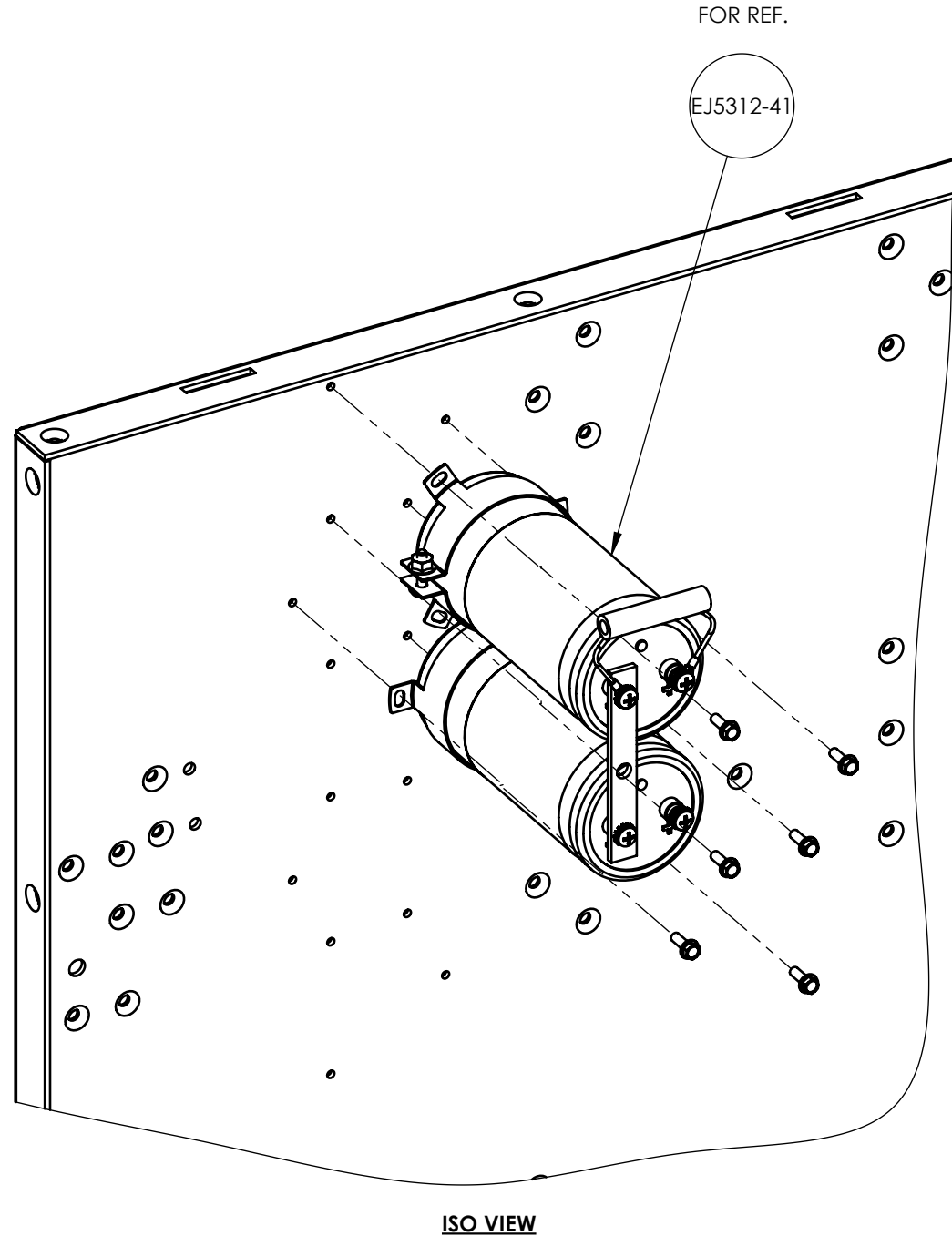
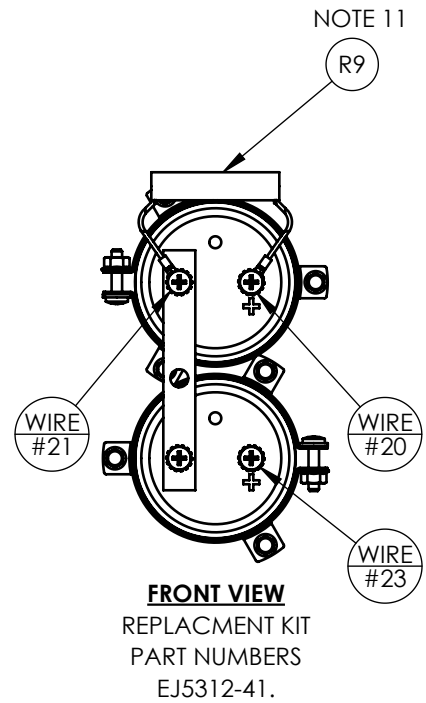
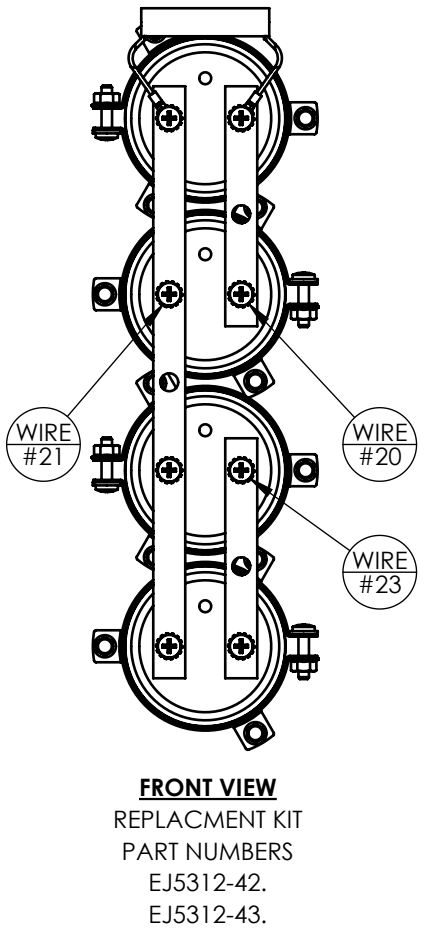
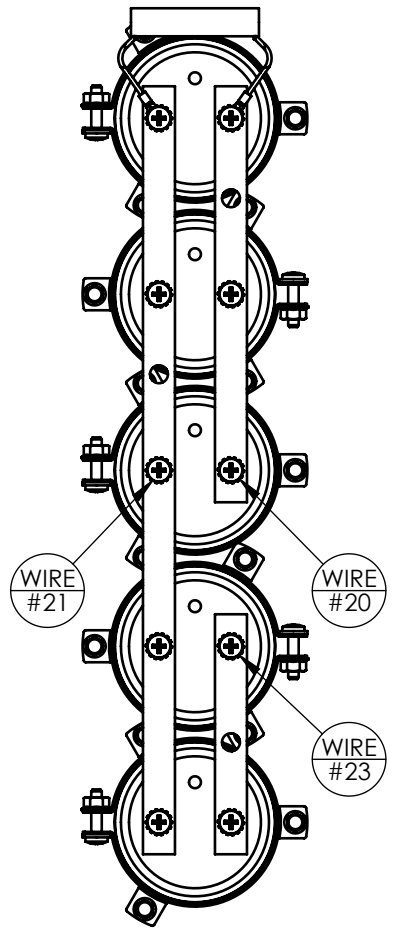


**INSTRUCTIONS:**

1. TURN OFF (OPEN) AC INPUT CIRCUIT BREAKER (CB1), AND DC OUTPUT CIRCUIT BREAKER (CB2).
2. ALLOW INTERNAL VOLTAGES TO DISSIPATE.
3. OPEN DOOR PANEL, AND CAREFULLY REMOVE PLEXIGLASS SHIELDS.
4. USING A VOLTMETER, VERIFY ALL POTENTIAL VOLTAGES IN CHARGER ARE AT "0".
5. LOCATE ELIMINATOR FILTER ASSEMBLY ON REAR LEFT OF BASE.
6. REMOVE WIRE #20, #21 AND WIRE #23 FROM CAPACITOR TERMINALS.
7. REMOVE #8 SELF TAPPING HARDWARE, FASTENING ASSEMBLY TO CHASSIS.
8. PLACE REPLACMENT CAP ASSEMBLY ON CHASSIS, CENTERING SLOTS AROUND MOUNTING HOLES.
9. REPACE #8 SELF TAPPING HARDWARE.
10. REPLACE WIRE #20, #21 AND WIRE #23 AS SHOWN BELOW.
11. IF SPARE IS FOR EJ5311-41 (2 CAPS), CONNECT WIRES AS INSTRUCTED. ENSURE (R9) RESISTOR IS STILL ATTACHED TO TERMINALS AS DEPICTED BELOW.



REV. 0	DRN BY	CHK BY	APP BY	DATE 4/29/2022	DRN BY <i>KB</i>	DATE: 4/5/2022	TITLE Atevo Service Instructions C#/R9 Filter Capacitor Installation Style-5070 Enclosure
DESCRIPTION Initial Release				CHK BY <i>MS</i>	DATE: 4/29/2022	UNLESS OTHERWISE SPECIFIED ALL DIMENSIONS FOLLOW THE ANSI SYSTEM IPS (INCHES-POUNDS & SECONDS) TOLERANCES ARE: FRAC. ±1/64, DEC. ±0.15, ANG ±.25°	
PROPRIETARY AND CONFIDENTIAL NOTICE ANY REPRODUCTION, PARTIAL OR AS A WHOLE OF THIS DOCUMENT WITHOUT THE WRITTEN PERMISSION OF HINDLE POWER, INC IS STRICTLY PROHIBITED.				APP BY <i>MCR</i>	DATE: 4/29/2022		
SCALE 1:3		DWG No <b>JD5078-03</b>		REV 0	SHEET 1 OF 1		