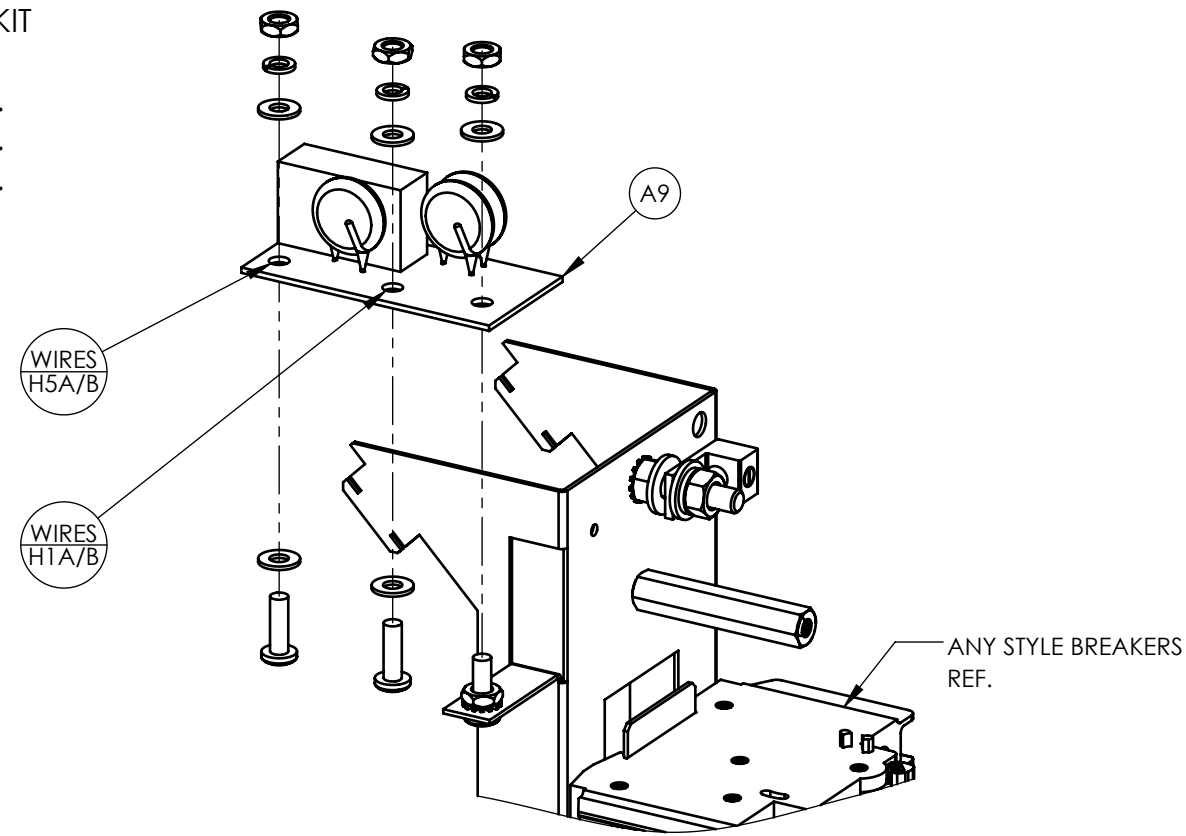


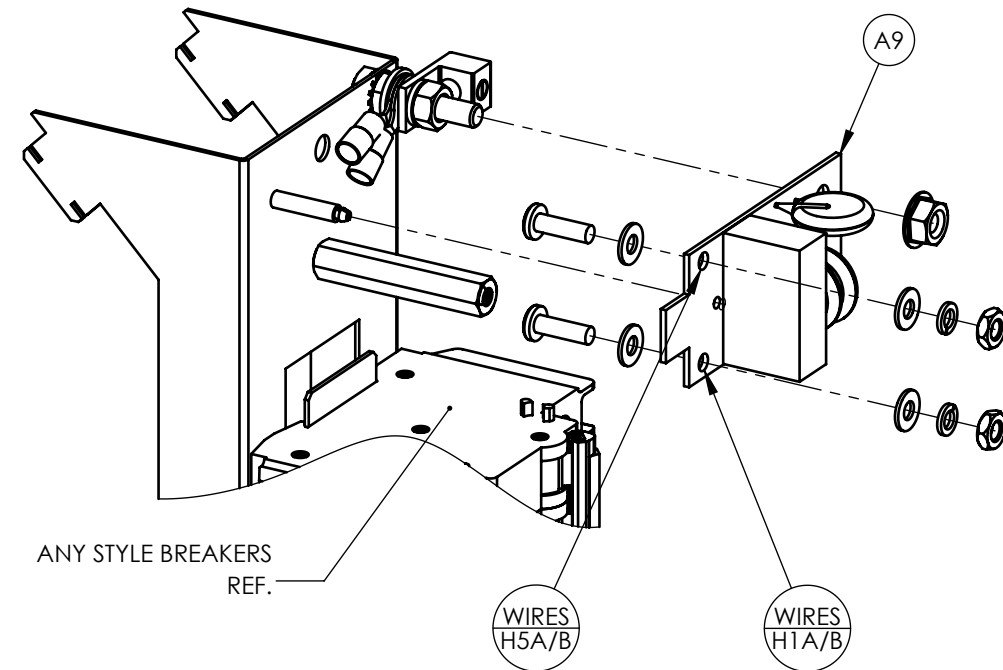
REPLACEMENT KIT

PART NUMBERS:

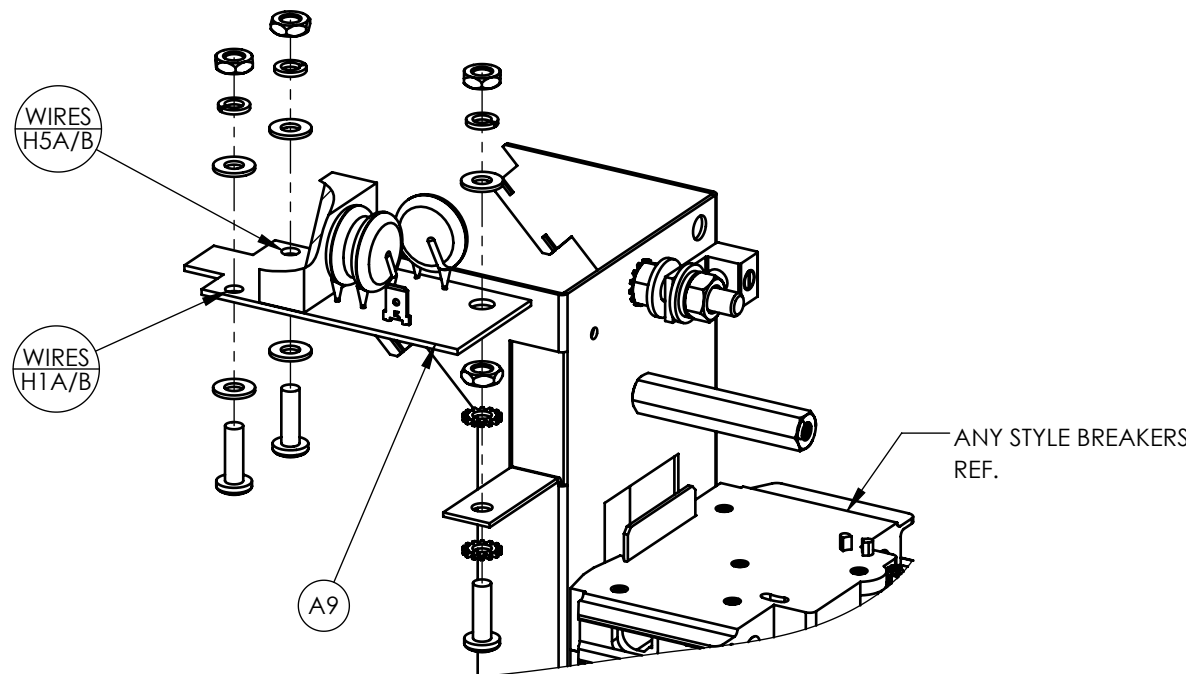
- EN5039-01.
- EN5039-02.
- EN5039-03.



ISO VIEW
PREVIOUS A9 DESIGN
& BRACKET WITH TAB



ISO VIEW
CURRENT A9 DESIGN
& BRACKET WITHOUT TAB



ISO VIEW
CURRENT A9 DESIGN
& BRACKET WITH TAB

INSTRUCTIONS:

1. TURN OFF (OPEN) THE AC INPUT CIRCUIT BREAKER (CB1), AND DC OUTPUT CIRCUIT BREAKER (CB2).
2. ALLOW INTERNAL VOLTAGES TO DISSIPATE.
3. OPEN DOOR PANEL. CAREFULLY REMOVE PLEXIGLASS SHIELDS.
4. USING A VOLTMETER, VERIFY ALL POTENTIAL VOLTAGES ARE AT "0".
5. LOCATE (A9) MOV BOARD AS SHOWN IN ATevo MOUNTING VIEWS.
6. REMOVE #10 HARDWARE AND DISCONNECT ALL LEADS FROM (A9) MOV BOARD.
7. REMOVE HARDWARE FASTENING (A9) MOV BOARD TO BREAKER BRACKET.
8. LIFT (A9) MOV BOARD OUT OF ATevo.
9. MOUNT REPLACEMENT (A9) MOV BOARD USING APPROPRIATE HARDWARE.
10. REATTACH WIRES AS SHOWN USING #10 HARDWARE.

REV. 2	DRN BY MS	CHK BY KB	APP BY ND	DATE 5/12/2023	DRN BY KB	DATE: 4/6/2022	TITLE ATevo Service Instructions MOV (A9) INSTALLATION STYLE-5054 1Ø 6-30Adc			
DESCRIPTION UPDATED DRAWING TO SHOW CURRENT AND PREVIOUS MOV DESIGNS & BRACKETS					CHK BY MS	DATE: 4/29/2022				
PROPRIETARY AND CONFIDENTIAL NOTICE ANY REPRODUCTION, PARTIAL OR AS A WHOLE OF THIS DOCUMENT WITHOUT THE WRITTEN PERMISSION OF HINDLE POWER, INC IS STRICTLY PROHIBITED.					APP BY MCR	DATE: 4/29/2022				
					UNLESS OTHERWISE SPECIFIED ALL DIMENSIONS FOLLOW THE ANSI SYSTEM IPS (INCHES-POUNDS & SECONDS) TOLERANCES ARE: FRAC. ±1/64, DEC. ±0.015, ANG ±.25°		SCALE 1:2	DWG No JD5079-00	REV 2	SHEET 1 OF 1