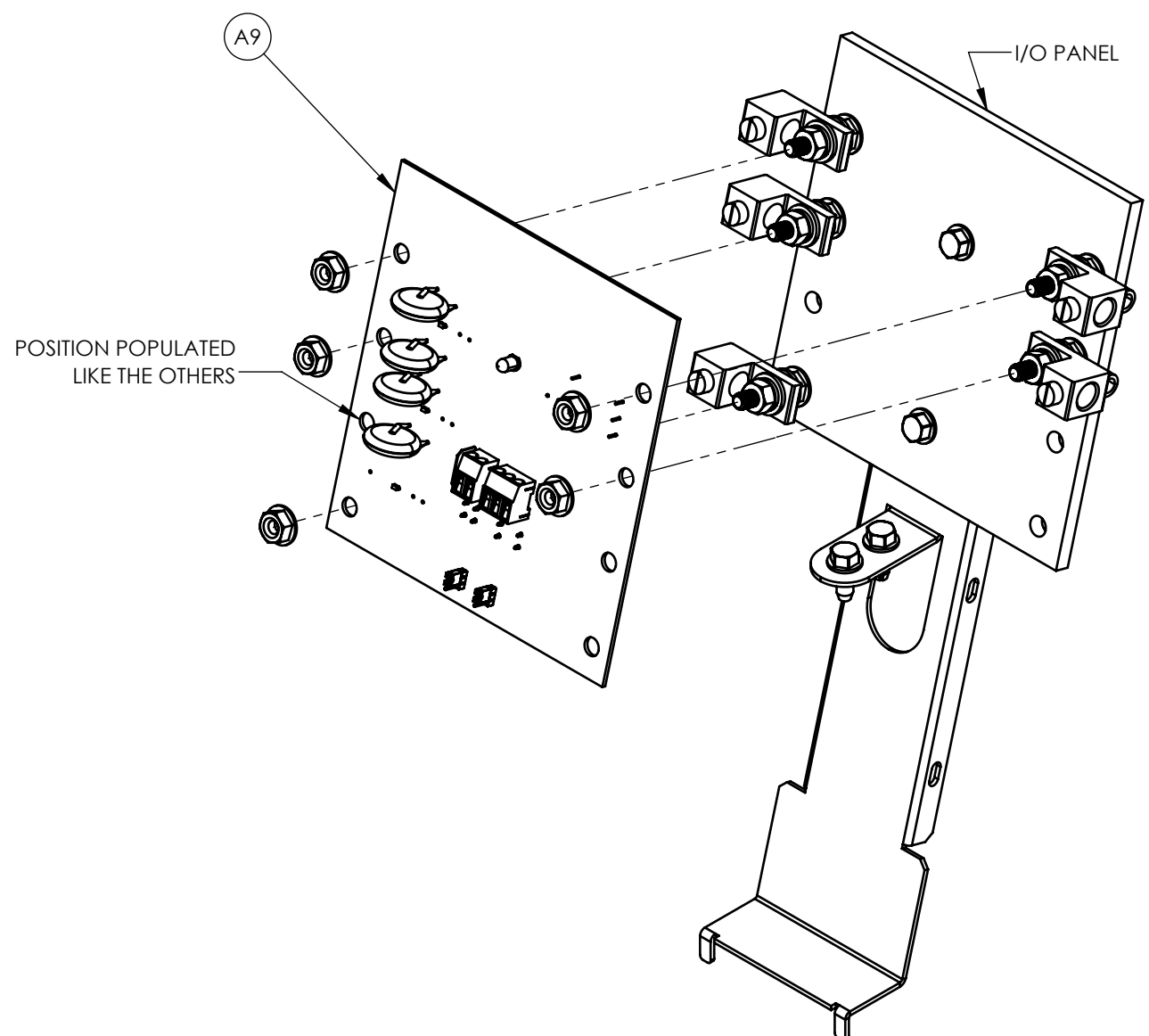


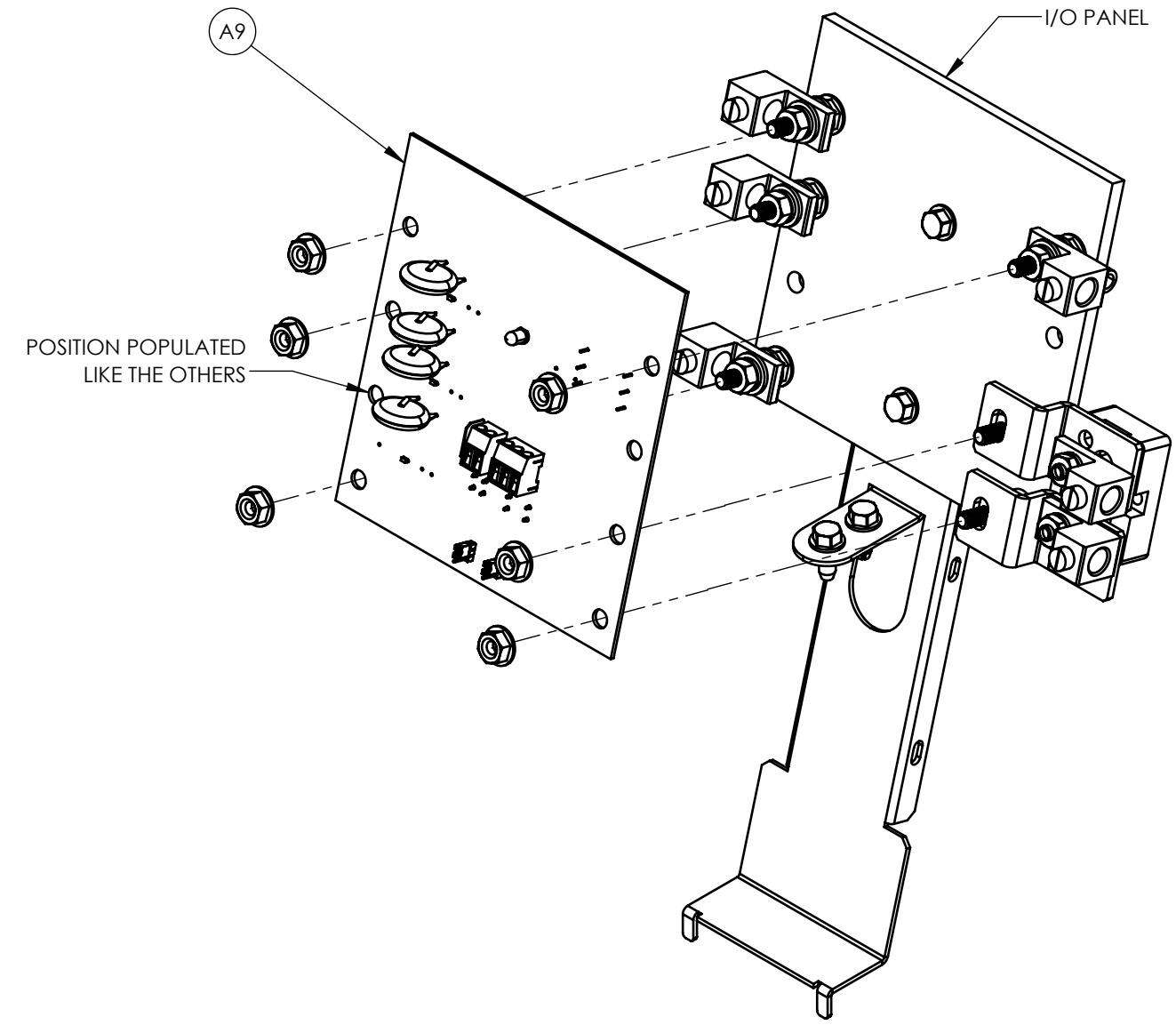
REPLACEMENT KIT

PART NUMBERS:

- EN5058-01.
- EN5058-02.
- EN5058-03.
- EN5058-04.
- EN5058-05.
- EN5058-06.



**ISO VIEW
WITHOUT BATTERY DISCHARGE SHUNT**



**ISO VIEW
WITH BATTERY DISCHARGE SHUNT**

INSTRUCTIONS:

1. TURN OFF (OPEN) AC INPUT CIRCUIT BREAKER (CB1), AND DC OUTPUT CIRCUIT BREAKER (CB2).
2. ALLOW INTERNAL VOLTAGES TO DISSIPATE.
3. OPEN DOOR PANEL, AND CAREFULLY REMOVE PLEXIGLASS SHIELDS.
4. USING A VOLTMETER, VERIFY ALL POTENTIAL VOLTAGES ARE AT "0".
5. LOCATE (A9) MOV BOARD AS SHOWN, MOUNTED ON I/O PANEL.
6. REMOVE 1/4-20 HARDWARE FASTENING (A9) MOV BOARD TO I/O PANEL. IF BATTERY DISCHARGE SHUNT IS PRESENT, REMOVING THIS HARDWARE WILL LOOSEN OPTION. ENSURE IT DOES NOT FALL DURING THIS OPERATION.
7. LIFT (A9) MOV BOARD OUT OF ATevo.
8. MOUNT REPLACEMENT (A9) MOV BOARD USING 1/4-20 HARDWARE.
9. IF BATTERY DISCHARGE SHUNT IS PRESENT ENSURE THAT IT REMAINS MOUNTED WITH REPLACEMENT (A9) MOV BOARD.

REV. 0	DRN BY	CHK BY	APP BY	DATE 4/29/2022	DRN BY <i>KWB</i>	DATE: 4/6/2022	TITLE ATEvo Service Instructions MOV (A9) INSTALLATION STYLE-5070 16-100Adc
DESCRIPTION Initial Release				CHK BY <i>MS</i>	DATE: 4/29/2022	UNLESS OTHERWISE SPECIFIED ALL DIMENSIONS FOLLOW THE ANSI SYSTEM IPS (INCHES-POUNDS & SECONDS) TOLERANCES ARE: FRAC. ±1/64, DEC. ±0.15, ANG ±.25°	
				APP BY <i>MCR</i>	DATE: 4/29/2022		
<small>PROPRIETARY AND CONFIDENTIAL NOTICE ANY REPRODUCTION, PARTIAL OR AS A WHOLE OF THIS DOCUMENT WITHOUT THE WRITTEN PERMISSION OF HINDLE POWER, INC IS STRICTLY PROHIBITED.</small>						B SCALE DWG No 1:2.5 JD5079-01	REV 0 SHEET 1 OF 1