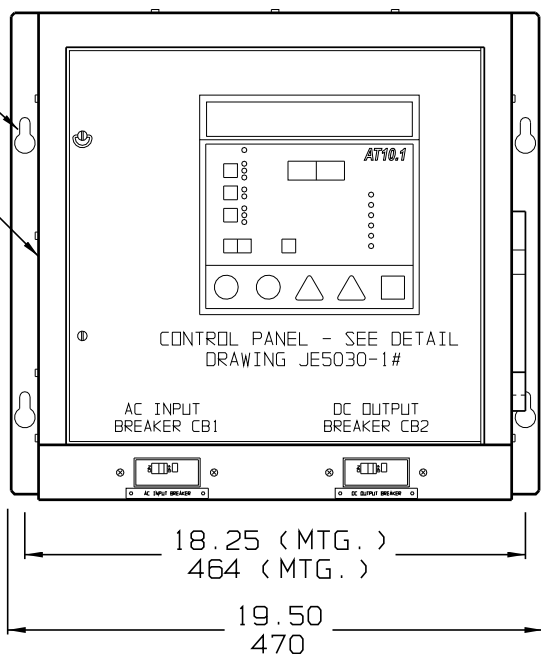


(NOTE 6)

NOTE 3

NOTE 5

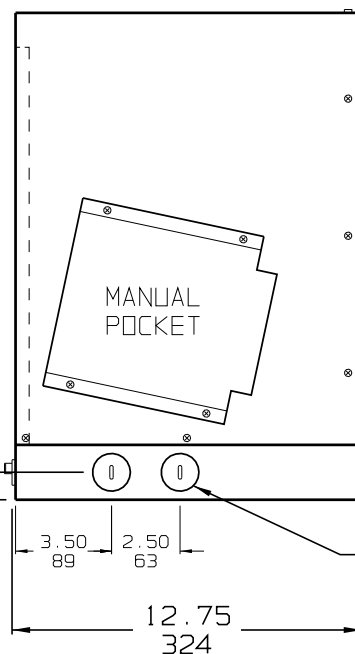


4.00
102

10.00
254
(MTG.)

18.25 (MTG.)
464 (MTG.)

19.50
470



18.00
457

1.00
25

3.50
89

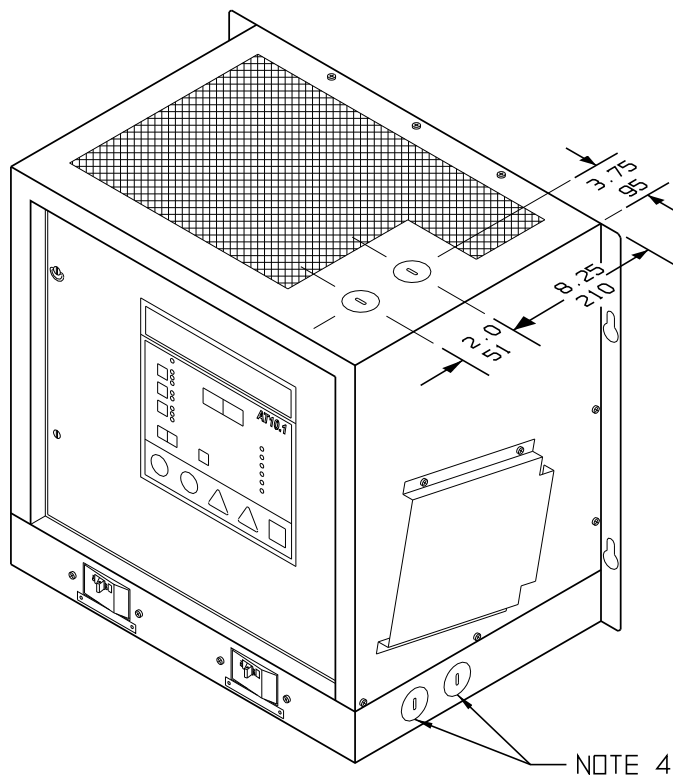
2.50
63

12.75
324

NOTE 4

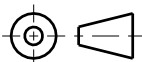
NOTES:

- 1) ENCLOSURE IS A NEMA TYPE 1 / IP20 TOP-VENTED STEEL CABINET WITHOUT GASKETS. FINISH IS ANSI-61 GRAY EPOXY POWDERCOAT.
- 2) ALLOW 6in / 152mm OF FREE AIR ON ALL VENTED SURFACES FOR COOLING.
- 3) FOUR (4) KEY-HOLE SLOTS ARE PROVIDED ON BACK OF ENCLOSURE AS SHOWN, FOR WALL-MOUNTING WITH 0.25in / 6.25mm HARDWARE.
- 4) FOUR (4) 1.31in/33mm DIA KNOCKOUTS ARE PROVIDED AS SHOWN, WITH TWO (2) ADDITIONAL KNOCKOUTS FEATURED ON BOTTOM PANEL OF ENCLOSURE. USE OF ANY OF THESE FOUR (4) LOWER CONDUIT KNOCKOUTS WILL ALLOW REMOVAL OF CABINET SHROUD WITHOUT REMOVAL OF EXTERNAL WIRING.
- 5) DATA NAMEPLATE (WITH CHARGER RATINGS) MOUNTED ON LEFT SIDE OF ENCLOSURE.
- 6) OPTIONAL 7.00in / 178mm TALL PENTHOUSE ENCLOSURE NOT SHOWN.
- 7) BATTERY CHARGER SHIPPING WEIGHT RANGE: APPROXIMATELY 110-193 lb / 50-88 kg



NOTE 4

DUAL DIMENSIONS in mm



THIRD ANGLE PROJECTION

DRAWN BY MCR 012304

ELECTRONIC APPROVAL SIGNATURES MAINTAINED BY MFG ECN LOG

UNLESS OTHERWISE NOTED DIMENSIONS ARE IN INCHES. TOLERANCES ARE:

TITLE AT10.1 SERIES BATTERY CHARGER OUTLINE: NEMA-1 STYLE-594 ENCLOSURE

DRAWING No JE5024-03

REV 1 A

SCALE NTS PART No JE5024-03

SHEET 1 OF 1

REV	ECN No	DATE	APP
1	25124	010620	MCT
0	E1542	012304	MCT