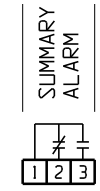


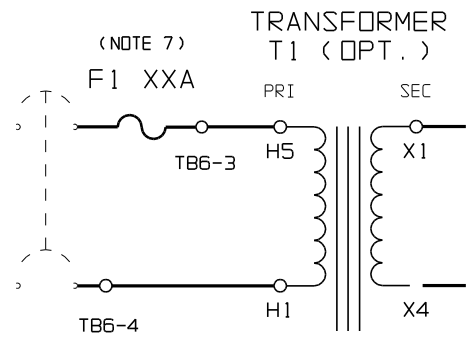
| INPUT | JUMPER |
|-------|--------------|
| 120 | H1-H3, H2-H5 |
| 208 | H2-H4 (2) |
| 240 | H2-H3 (2) |

STANDARD TRANSFORMER (NOTE 4)

AC INPUT 1 ϕ -60Hz
120/208/240V or 480V



SUMMARY ALARM
TERMINAL BLOCK
TB3 (NOTE 2)



- NOTES:**
- FOR COMPONENT DETAILS OF ALL PC BOARDS (A1, A5, A11, etc.) SEE DRAWING JE5030-10.
 - ALL ALARM CONTACTS SHOWN IN NON-ALARM STATE. CONTACT RATING IS 0.5A @ 125VAC/VDC RESISTIVE.
 - WHEN REMOTE SENSE IS USED, THE VOLTAGE SENSE LEADS RUN FROM R14 TO REMOTE SENSE(-), AND FROM TB5-2 TO REMOTE SENSE(+). REFER TO CONNECTION DIAGRAM FOR WIRING DETAILS.
 - POWER TRANSFORMER (T1) HAS MULTIPLE TAPS FOR 120/208/240 VAC. AC FUSE (F1) IS ONLY USED ON UNITS SPECIFIED WITH 480 VAC INPUT.
 - STANDARD 12, 24 AND 48VDC UNITS CONTAIN A SINGLE-POLE DC BREAKER (CB2) IN THE NEGATIVE BUSS.
 - OPTIONAL 480 VAC INPUT TRANSFORMER FEATURES NO TAPS, BUT 1-POLE AC FUSE (F1) AND MED AIC BREAKERS ARE REQUIRED.

- FEATURED OPTIONS:**
- AC INPUT CIRCUIT BREAKER
 - DC OUTPUT CIRCUIT BREAKER

| | | | | | | | | | |
|-----|--------|--------|-----------|--|-----------|--------|------------|--|----------|
| | | | | THIRD ANGLE PROJECTION | | | | | |
| 2 | E1742 | 091004 | | DRAWN BY | MCR | 022003 | TITLE | AT10.1 SERIES BATTERY CHARGER: SCHEMATIC: 6-25ADC (GROUP I) STD - W/O OPTIONS | |
| 1 | E1203 | 040703 | <i>OK</i> | APPROVED | <i>OK</i> | 022003 | DRAWING No | JE5031-00 | |
| 0 | E1142 | 022003 | <i>OK</i> | UNLESS OTHERWISE NOTED DIMENSIONS ARE IN INCHES. TOLERANCES ARE: | | | REV | 2 | B |
| REV | ECN No | DATE | APP | | | | SCALE | NTS | PART No |