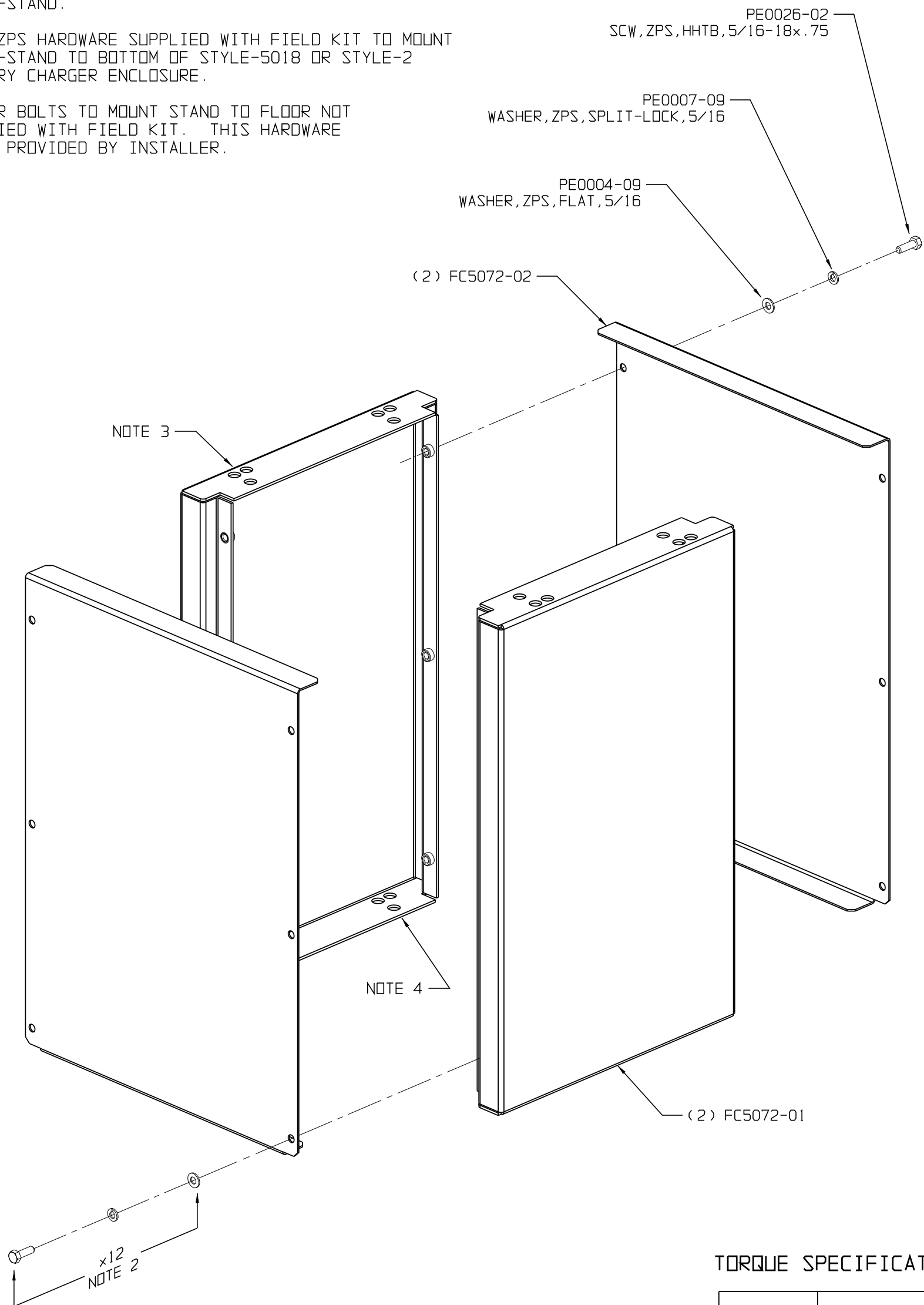


NOTES:

- 1) SEE SHEET 2 OF 2 FOR CHARGER/FLOOR-STAND FOOT PRINT, AS WELL AS FLOOR MOUNTING DIMENSIONS.
- 2) 5/16" ZPS HARDWARE SUPPLIED WITH FIELD KIT TO ASSEMBLE FLOOR-STAND.
- 3) 1/2" ZPS HARDWARE SUPPLIED WITH FIELD KIT TO MOUNT FLOOR-STAND TO BOTTOM OF STYLE-5018 OR STYLE-2 BATTERY CHARGER ENCLOSURE.
- 4) ANCHOR BOLTS TO MOUNT STAND TO FLOOR NOT SUPPLIED WITH FIELD KIT. THIS HARDWARE TO BE PROVIDED BY INSTALLER.

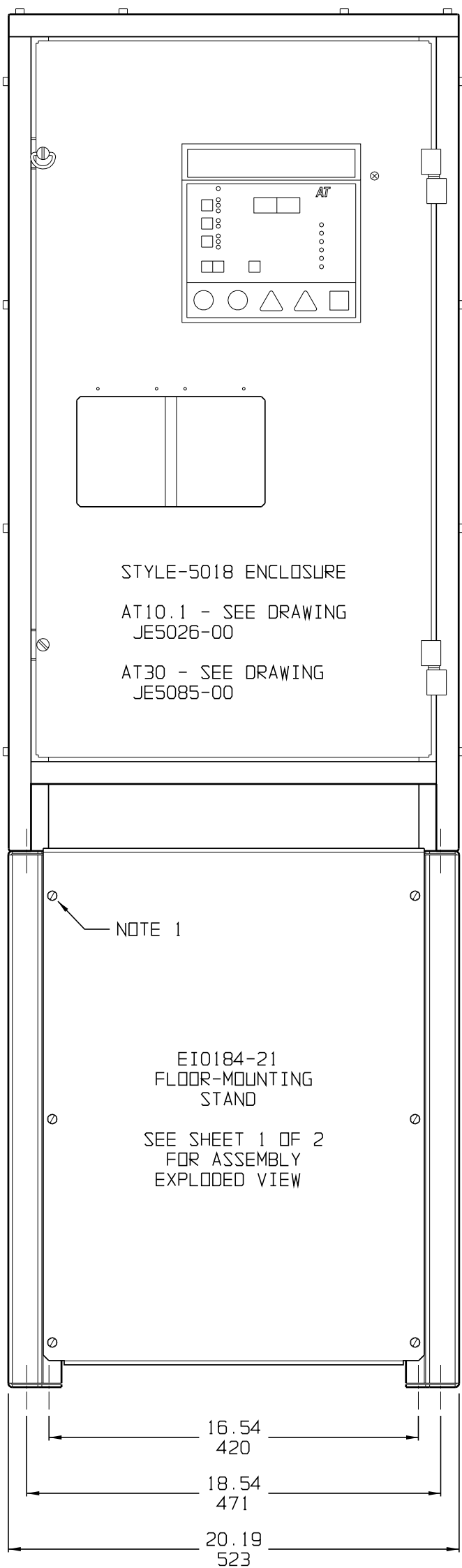


TORQUE SPECIFICATIONS:

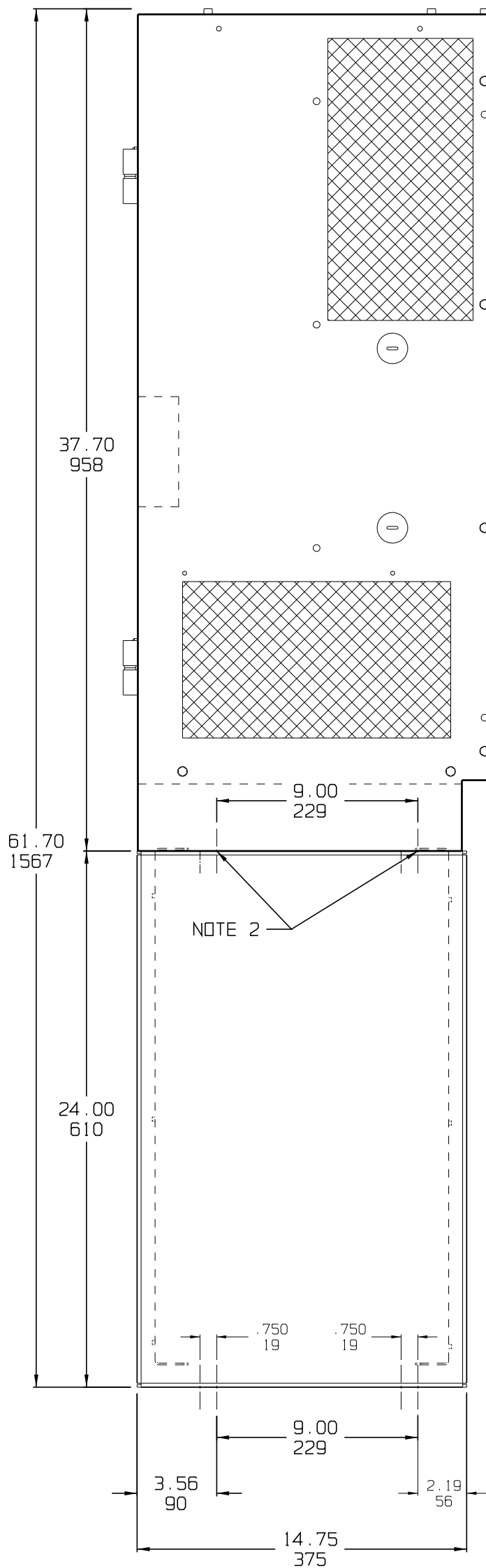
BOLT SIZE	LOW CARBON STEEL
5/16-18	129 in-lb
1/2-13	465 in-lb

			THIRD ANGLE PROJECTION					
1	-N/A-	111720	DRAWN BY <i>CA</i> 113011	TITLE OUTLINE DRAWING: STYLE-5018 / STYLE-2 FLOOR-MOUNTING STAND (p/n EI0184-21)				
0A	-N/A-	030918	ELECTRONIC APPROVAL SIGNATURES MAINTAINED BY MFG ECN LOG		DRAWING No JE5123-01		REV 1A	B
0	22907	113011	UNLESS OTHERWISE NOTED DIMENSIONS ARE IN INCHES. TOLERANCES ARE:		SCALE NTS		PART No EI0184-21	SHEET 1 OF 2
REV	ECN No	DATE						

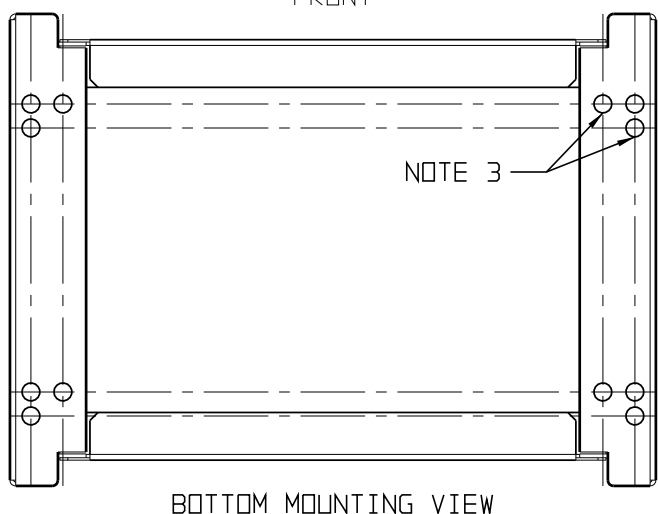
FRONT VIEW



SIDE VIEW



FRONT



BOTTOM MOUNTING VIEW

NOTES:

- 1) 5/16" ZPS HARDWARE SUPPLIED WITH FIELD KIT TO ASSEMBLE FLOOR-STAND.
- 2) 1/2" ZPS HARDWARE SUPPLIED WITH FIELD KIT TO MOUNT FLOOR-STAND TO BOTTOM OF STYLE-5018 OR STYLE-2 BATTERY CHARGER ENCLOSURE.
- 3) TWELVE (4x3) 0.56in / 14mm HOLES PROVIDED ON BOTTOM OF FLOOR-STAND AS SHOWN. ANCHOR BOLTS TO MOUNT STAND TO FLOOR NOT SUPPLIED WITH FIELD KIT. THIS HARDWARE TO BE PROVIDED BY INSTALLER.

DUAL DIMENSIONS in mm

<p>THIRD ANGLE PROJECTION</p>		<p>TITLE OUTLINE DRAWING: STYLE-5018 / STYLE-2 FLOOR-MOUNTING STANDARD (p/n EIO184-21)</p>	
<p>DRAWN BY <i>CA</i> 113011</p>	<p>DRAWING No JE5123-01</p>		<p>REV 1A B</p>
<p>ELECTRONIC APPROVAL SIGNATURES MAINTAINED BY MFG ECN LOG</p>		<p>SCALE NTS</p>	<p>PART No EIO184-21</p>
<p>UNLESS OTHERWISE NOTED DIMENSIONS ARE IN INCHES. TOLERANCES ARE:</p>		<p>SHEET 2 OF 2</p>	<p>SHEET 2 OF 2</p>