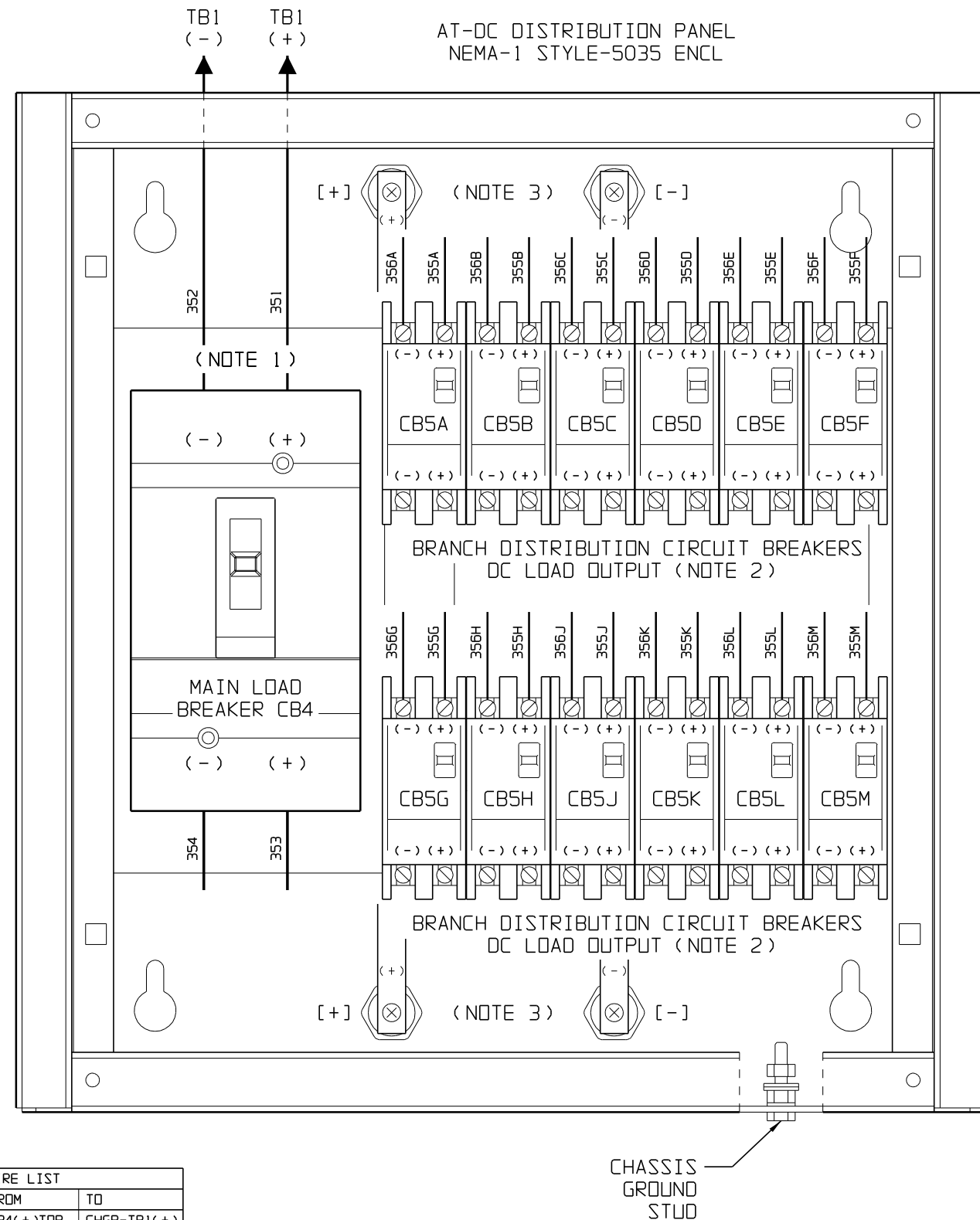


TO AT BATTERY CHARGER  
I/O PANEL DC OUTPUT  
CU-AL COMPRESSION LUGS

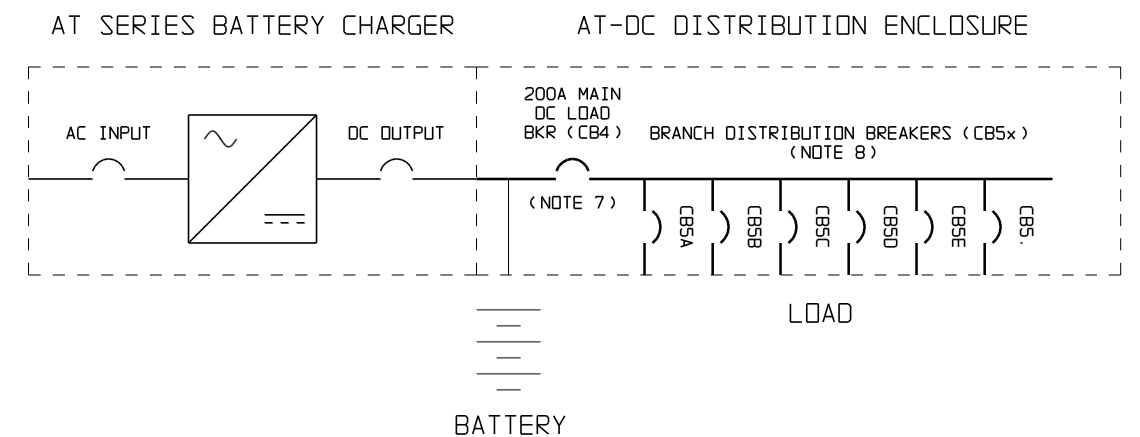


AT-DC DISTRIBUTION PANEL  
NEMA-1 STYLE-5035 ENCL

CONNECTION / WIRING NOTES:

- 1) CONNECT MAIN BATTERY WIRING TO TOP OF MAIN DC LOAD CIRCUIT BREAKER (CB4) WHICH FEATURES CUL-AL COMPRESSION LUGS, ACCEPTING 3/0 AWG - 350 MCM WIRE IF NECESSARY, CONNECT MAIN BATTERY WIRING TO BATTERY CHARGER POS(+)/NEG(-) DC OUTPUT TERMINALS
- 2) CONNECT LOAD WIRING TO BOTTOM OF BRANCH DISTRIBUTION CIRCUIT BREAKERS (CB5x) WHICH FEATURE COMPRESSION SCREW TERMINALS, ACCEPTING LUGS FOR #14-2 AWG WIRE
- 3) MOUNTED TO BACK PANEL OF ENCLOSURE ARE POSITIVE(+) AND NEGATIVE(-) COPPER BUS BARS, WHICH ARE INTERCONNECTION POINTS FOR DC LOAD BREAKER WIRING
- 4) WIRES# 351 & 352 SIZED FOR DC OUTPUT CURRENT OF CONNECTED BATTERY CHARGER
- 5) WIRES# 355x & 356x SIZED TO TRIP RATING OF INDIVIDUAL BRANCH CIRCUIT BREAKERS (CB5x)
- 6) COMPONENTS ARE CONNECTED WITH FLAME-RETARDANT UL VW-1 TYPE SWITCHBOARD INSULATION SYSTEM (SIS) WIRING, IDENTIFIED ON EACH END WITH NUMBER-CODED MARKERS
- 7) 200A TWO-POLE MAIN DC LOAD CIRCUIT BREAKER (CB4) IS RATED FOR 20 kAIC AT 250VDC
- 8) TWO-POLE BRANCH DC DISTRIBUTION CIRCUIT BREAKERS (CB5x) ARE RATED FOR 10 kAIC AT 125VDC. SEE BREAKER SCHEDULE, SUPPLIED PARTS DATA PACKAGE REPORT (BOM), AND/OR MARKED LISTING ON FRONT FACE OF ACTUATOR FOR INDIVIDUAL BREAKER TRIP RATINGS.

ONE-LINE DIAGRAM:



WIRE LIST			
No.	GAUGE	FROM	TO
351	NOTE 4	CB4(+ )TOP	CHGR-TB1(+ )
352	NOTE 4	CB4(- )TOP	CHGR-TB1(- )
353	2/0	CB4(+ )BOT	W1(+ ) BUS
354	2/0	CB4(- )BOT	W2(- ) BUS
355x	NOTE 5	CB5x(+ )TOP	W1(+ ) BUS
356x	NOTE 5	CB5x(- )TOP	W2(- ) BUS
357	#12 AWG	CHS GROUND	CHGR GROUND

GENERAL NOTES:

A) THIS GENERIC DRAWING DEPICTS AN AT-DC DISTRIBUTION PANEL CONFIGURATION WITH ONE (1) 200A MAIN DC LOAD CIRCUIT BREAKER (CB4) AND A MAXIMUM OF TWELVE (12) QDU-TYPE 2-POLE DC BRANCH CIRCUIT BREAKERS (CB5A-M). MULTIPLE CONFIGURATIONS OF THE AT-DC ASSEMBLY ARE AVAILABLE, FEATURING 4, 6, 8, ETC. BRANCH BREAKERS (CB5x). IN NON-STANDARD ARRANGEMENTS, SPARE UNWIRED BRANCH BREAKERS AND/OR FILLER PLATES MAY BE SUPPLIED.

		THIRD ANGLE PROJECTION			
DRAWN BY		MCR	080910	TITLE AT-DC DIST PANEL ST-5035 INTERNAL COMP LAYOUT / SCHEM / CONN DIAGRAM: EJ5110-3#	
ELECTRONIC APPROVAL SIGNATURES MAINTAINED BY MFG ECN LOG				DRAWING No	JE5141-20
0	22246	080910	UNLESS OTHERWISE NOTED DIMENSIONS ARE IN INCHES. TOLERANCES ARE:		REV 0
REV	ECN No	DATE	SCALE	NTS	PART No
					JE5141-20
			SHEET	1	OF 1