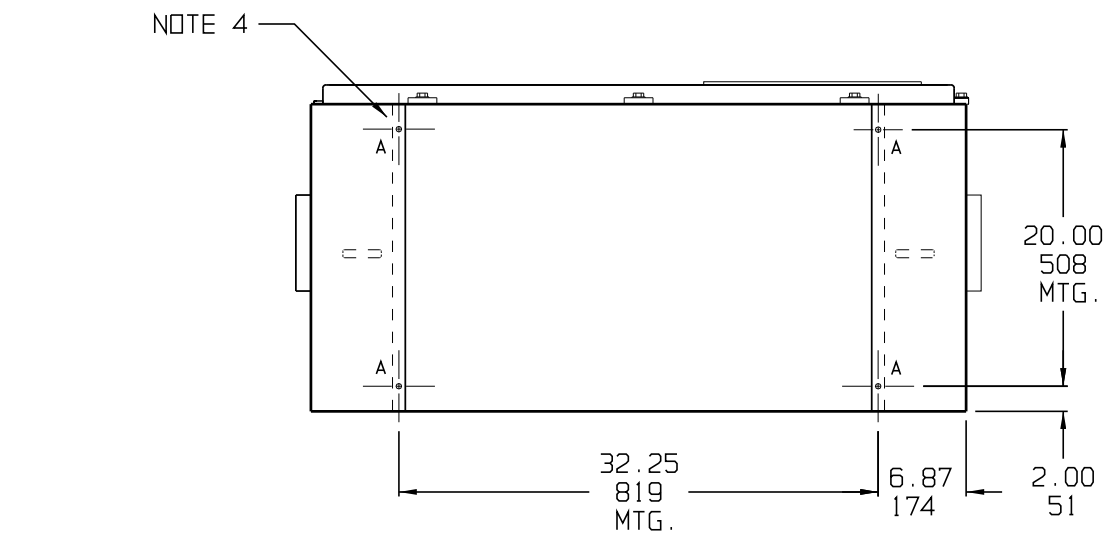
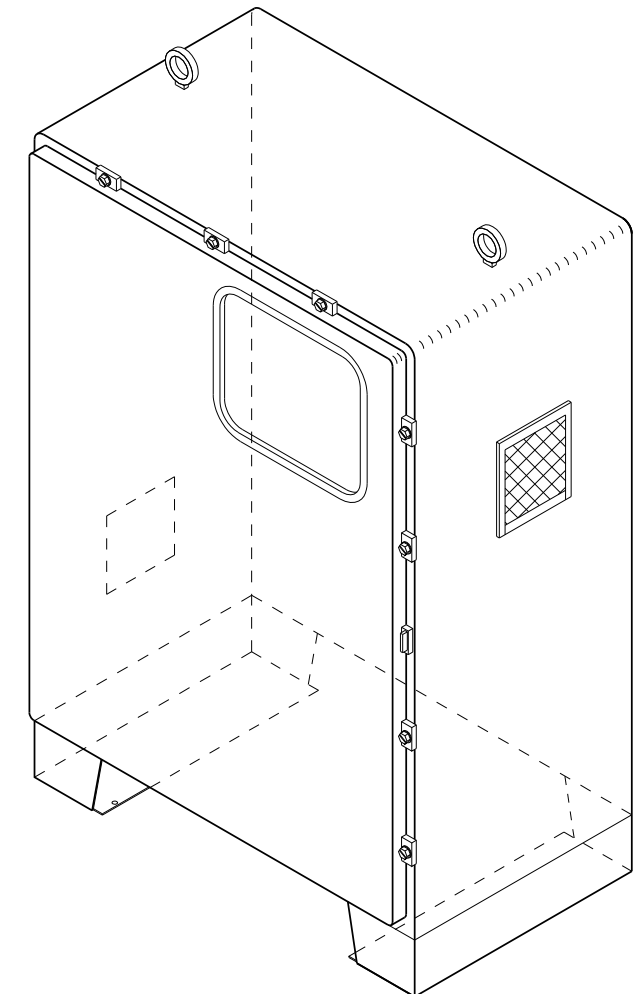


HOLE	DIA.	QTY.	APPLICATION
A	0.438	4	FLOOR MOUNTING

NEMA-4/12 ENCLOSURES FEATURE NO PROVISIONS FOR CONDUIT ENTRANCE. ENCLOSURE SHOULD BE FIELD-MODIFIED BY INSTALLER AS NEEDED FOR I/O.



NOTES:

- ENCLOSURE IS A NEMA TYPE 4 (MEETS NEMA-12/13) / IP65 STEEL CABINET WITH A GASKETED DOOR. FINISH IS ANSI-61 GRAY EPOXY POWDERCOAT.
- EXTERNALLY POWERED COOLING FAN MOUNTED INSIDE CABINET.
- ALLOW 12in / 305mm OF FREE AIR ON SIDES OF CABINET FOR VENTILATION.
- CABINET IS FLOOR MOUNTED AND EXTERNALLY WIRED PER TABLE ABOVE.
- SEALED ACRYLLIC WINDOW PROVIDED TO VIEW INTERNAL AT30 CONTROL PANEL.
- SHIPPING WEIGHTS OF AT30 BATTERY CHARGERS IN NEMA-4 CABINETS DIFFER BY MODEL, SEE PRODUCT LITERATURE FOR APPROXIMATE WEIGHTS.

DUAL DIMENSIONS in mm

			THIRD ANGLE PROJECTION					
C	-N/A-	110822	DRAWN BY	MCR	041008	TITLE AT30 SERIES ENCLOSURE OUTLINE: NEMA-4 (12/13) STYLE-5039 VENTED CABINET		
B	-N/A-	041513	APPROVED			DRAWING No		REV
A	-N/A-	041008	UNLESS OTHERWISE NOTED DIMENSIONS ARE IN INCHES. TOLERANCES ARE:			JE5198-00		C
REV	ECN No	DATE	SCALE		NTS	PART No	JE5198-00	SHEET 1 OF 1