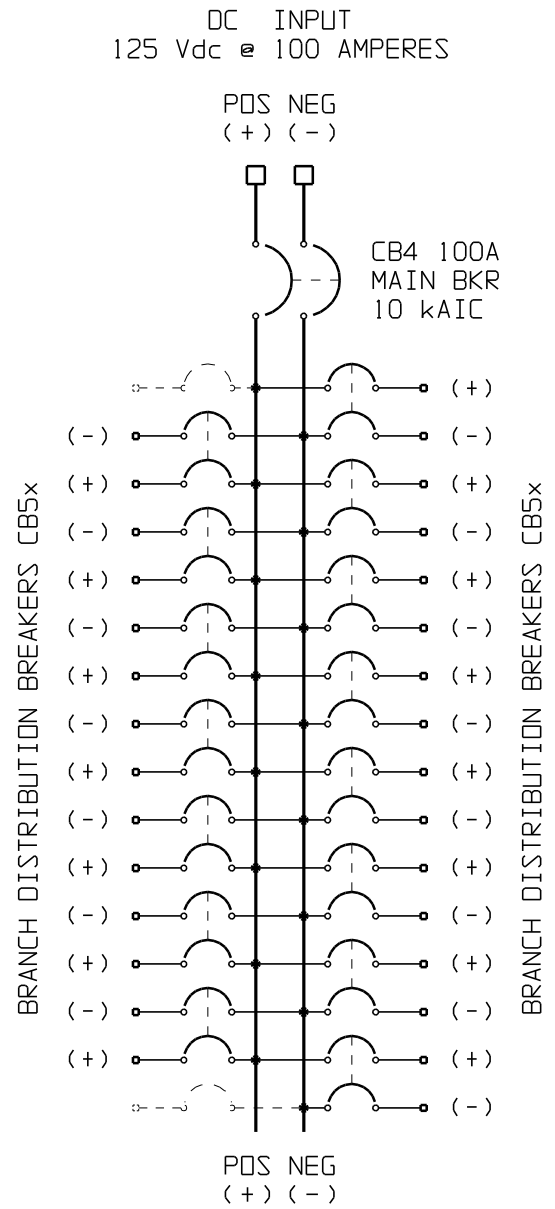
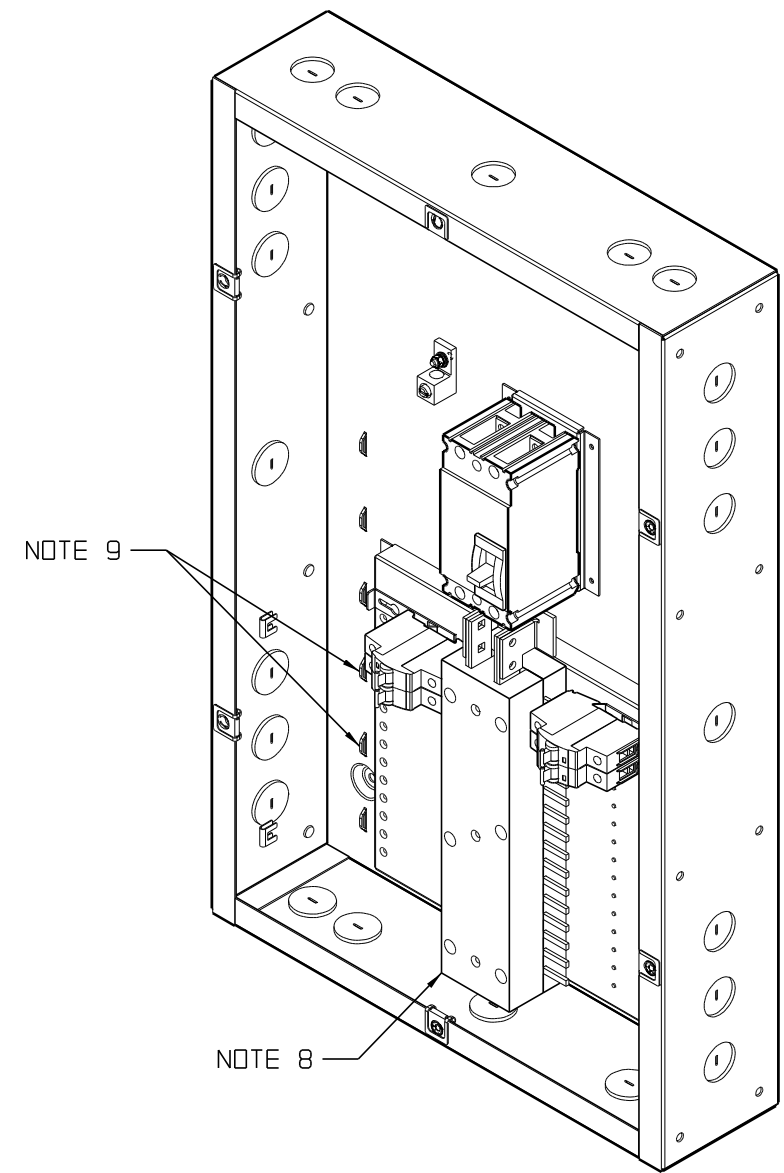
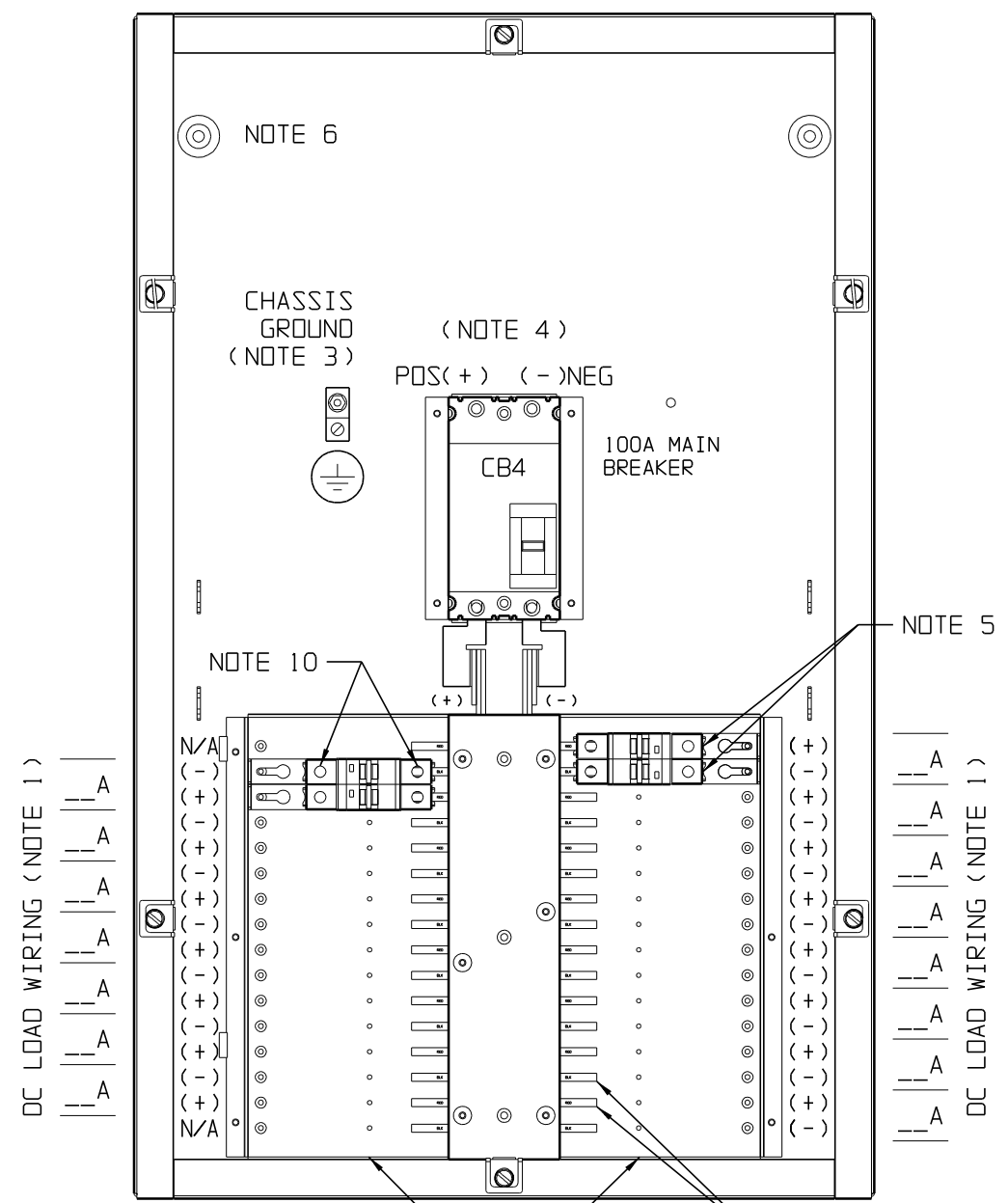


DC DISTRIBUTION PANEL SCHEMATIC



- NOTES:
- 1) ALL USER WIRING SHOULD CONFORM TO NEC, LOCAL, AND SITE CODES.
 - 2) MAXIMUM OF FIFTEEN (15) "ABB S200" 2-POLE 125V 10-63A BRANCH CIRCUIT BREAKERS (7-L + 8-R) CAN BE INSTALLED INTO PANEL.
 - 3) GROUND TERMINAL IS CU-AL COMPRESSION LUG, ON 1/4-20 x 1.50in LONG ZPS STUD HARDWARE, FOR #14-1/0 AWG USER WIRING.
 - 4) MAIN BREAKER (CB4) COMPRESSION TERMINALS ACCEPT:
#14 - 1/0 AWG COPPER OR ALUMINUM WIRE
 - 5) BRANCH BREAKER (CB5x) COMPRESSION TERMINALS ACCEPT:
#18 - 4 AWG COPPER OR ALUMINUM WIRE
 - 6) REAR WALL-MOUNTING HOLES, SEE OUTLINE DRAWING (JE5227-00) FOR EXTERNAL MOUNTING DETAILS.
 - 7) COPPER BUS BARS SUPPLIED FOR EASE OF BRANCH CIRCUIT BREAKER INSTALLATION.
 - 8) INSULATION BLOCK PROVIDED FOR SAFETY.
 - 9) TIE POINT LANCES SUPPLIED TO SECURE INCOMING USER WIRING.



- NOTE:
- 10A) MANUFACTURER'S LABELING ON "ABB S200" BRANCH CIRCUIT BREAKERS (CB5x) REPRESENTS CURRENT FLOW THROUGH BREAKER, NOT USER CONNECTION POLARITY OF DC DISTRIBUTION SYSTEM. CONNECT SITE DC DISTRIBUTION WIRING TO BRANCH BREAKERS AS MARKED ON "SYSTEM".
 - 10B) WHEN ONE (1) OF THE BRANCH BREAKERS (CB5x) IS TO BE USED AS A CHARGER OR BATTERY "BACKFEED", THIS BREAKER MUST BE SPECIALLY MOUNTED FOR REVERSE CURRENT FLOW.
 - 11) SEE JA5117-00 FOR FURTHER USER INSTRUCTIONS.

J	-N/A-	061417	 THIRD ANGLE PROJECTION	TITLE DC DISTRIBUTION PANEL INTERNAL LAYOUT STYLE-5050 ENCLOSURE 100A (EJ5140-10)	
H	-N/A-	112415			
G	-N/A-	092215	DRAWN BY <i>QA</i> 062914	DRAWING No JE5228-10 REV J B	
F	-N/A-	082715	ELECTRONIC APPROVAL SIGNATURES MAINTAINED BY MFG ECN LOG		
E	-N/A-	073115	UNLESS OTHERWISE NOTED DIMENSIONS ARE IN INCHES. TOLERANCES ARE:	SCALE NTS PART No JE5228-10 SHEET 1 OF 1	
REV	ECN No	DATE			