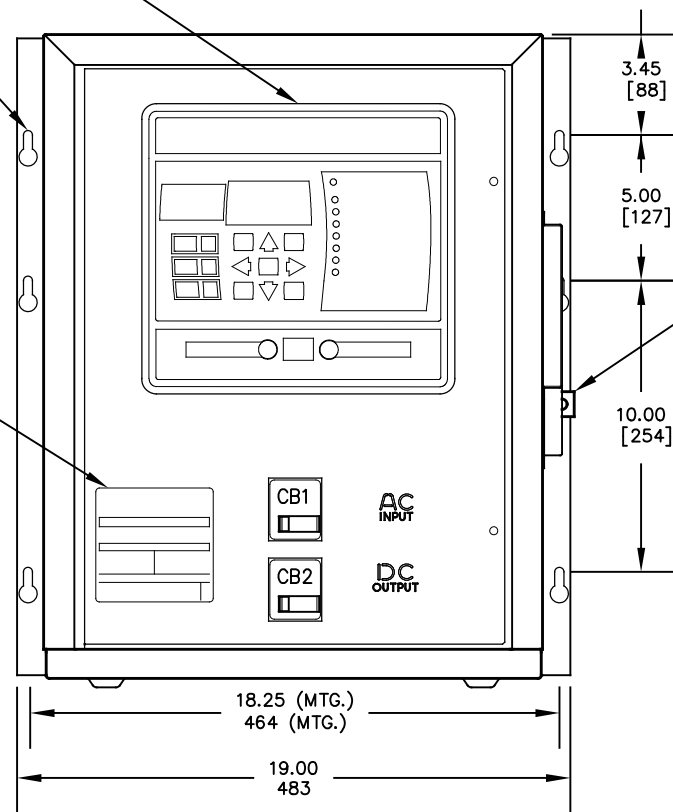


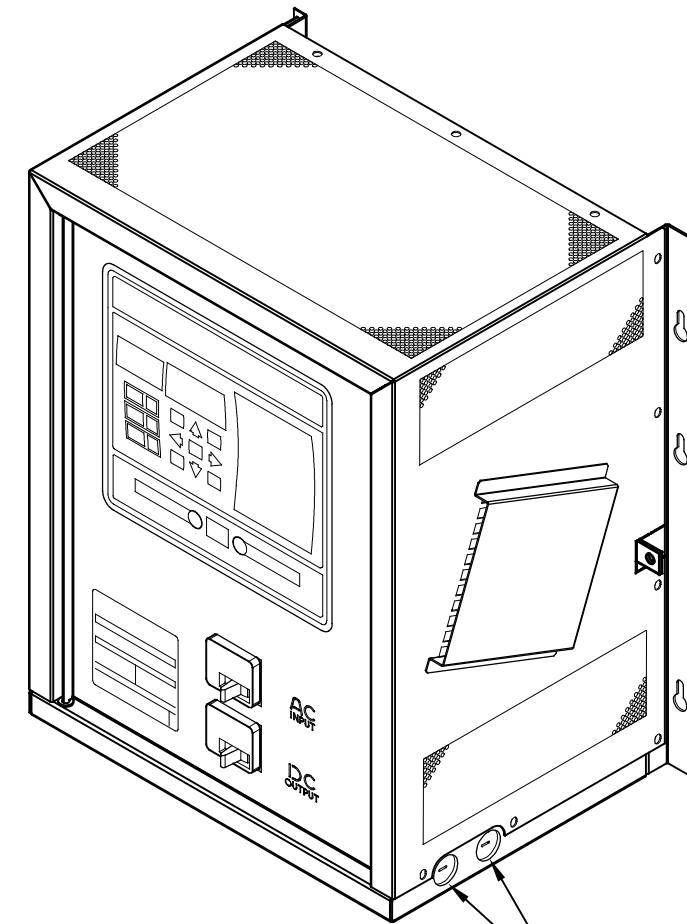
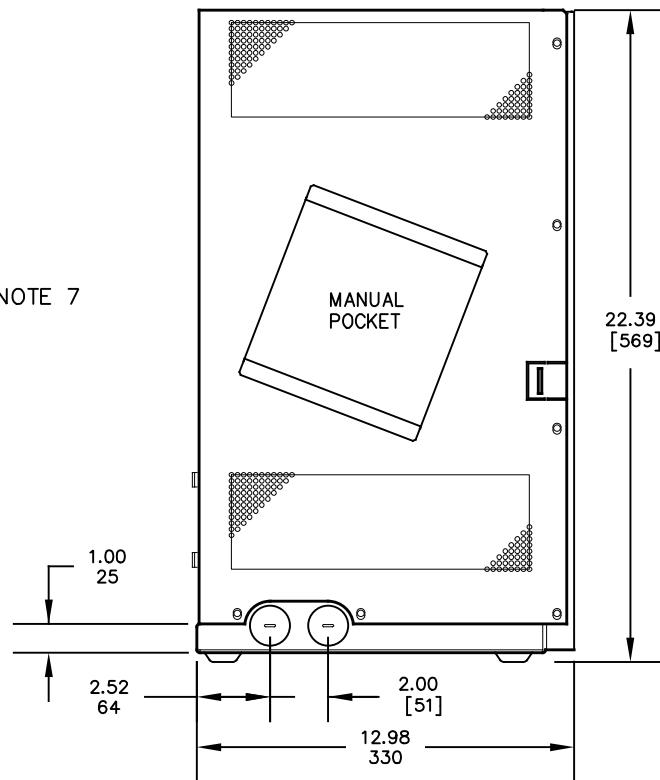
SEE DRAWING
JE5253-21

NOTE 3

NOTE 5

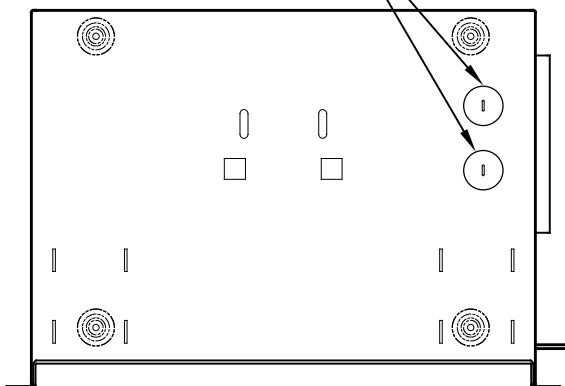


NOTE 7



NOTE 4

NOTE 4



NOTES:

- ENCLOSURE IS A NEMA TYPE 1 / IP20 TOP-VENTED STEEL CABINET WITHOUT GASKETS. FINISH IS ANSI-61 GRAY EPOXY POWDERCOAT. BASE IS 14 GA. SHROUD IS 18 GA. DOOR IS 16 GA.
- ALLOW 6in / 152mm OF FREE AIR ON ALL VENTED SURFACES (TOP, SIDES & REAR) FOR COOLING.
- SIX (6) KEY-HOLE SLOTS ARE PROVIDED ON BACK OF ENCLOSURE AS SHOWN. FOR WALL-MOUNTING WITH 0.25in / 6.25mm HARDWARE.
- SIX (6) 1.31in / 33mm DIA KNOCKOUTS ARE PROVIDED AS SHOWN, WITH TWO (2) ADDITIONAL KNOCKOUTS FEATURED ON BOTTOM PANEL OF ENCLOSURE. USE OF ANY OF THESE FOUR (4) LOWER CONDUIT KNOCKOUTS WILL ALLOW REMOVAL OF CABINET SHROUD WITHOUT REMOVAL OF EXTERNAL WIRING.
- DATA NAMEPLATE DECAL (WITH CHARGER RATINGS) APPLIED TO DOOR.
- BATTERY CHARGER SHIPPING WEIGHT: SEE PRODUCT LITRITURE.
- GROUND BUS BAR WITH 0.375 in / 9.52 mm DIA HOLE.

DUAL DIMENSIONS in [mm]

REV. DRN BY	CHK BY	APP BY	DATE	DRN BY	DATE:	TITLE ATEVO BATTERY CHARGER OUTLINE: NEMA-1 STYLE-5054 ENCL 1Ø WITH COMMON OPTIONS 6-25A	
D	KJB	MCR	MCR	12/1/2021	KJB		12/1/2021
DESCRIPTION STANDARD DRAWINGS.				CHK BY	DATE:		
ECN NO. N/A				MCR	12/1/2021		
				APP BY	DATE:	SCALE DWG No B NTS JE5251-21	
				MCR	12/1/2021		
						REV SHEET D 1 OF 1	