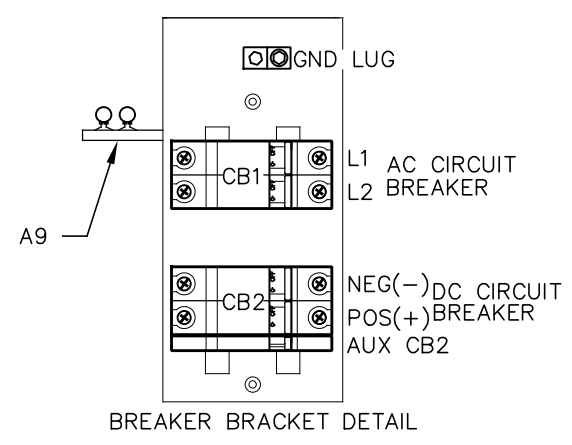
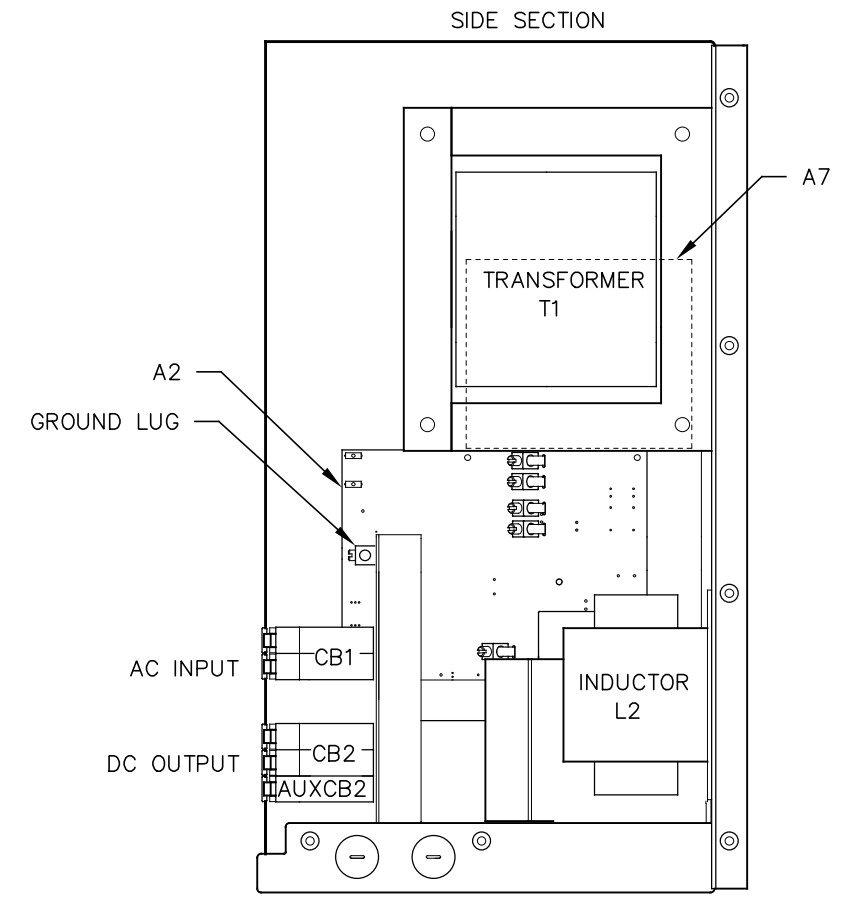
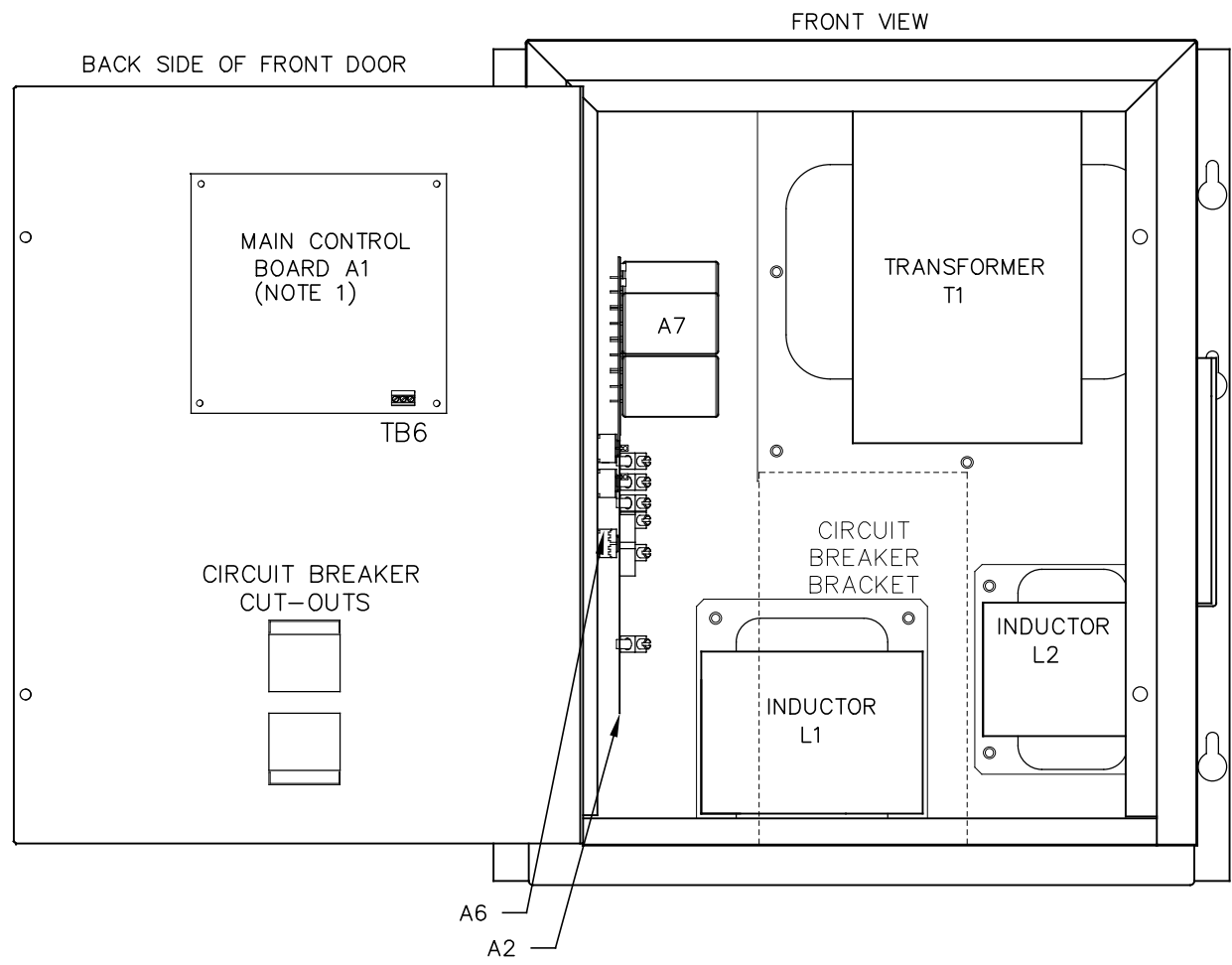


SYM	STANDARD COMPONENT DESCRIPTION
A1	MAIN CONTROL PC BOARD
A2	POWER BOARD
A6	RECTIFIER H/S ASSEMBLY
A7	FILTER BOARD
A9	MOV BOARD
CB1	AC INPUT CIRCUIT BREAKER C60-K 2P
CB2	DC OUTPUT CIRCUIT BREAKER C60-K 2P
AUXCB2	DC CKT BKR (CB2) AUXILIARY CONTACTS
L1	MAIN INDUCTOR
L2	FILTER INDUCTOR
T1	POWER ISOLATION TRANSFORMER



I/O TERMINAL	DESCRIPTION - TYPE	CONNECTION
CB2 (+/-)	POS/NEG DC OUTPUT TERMINALS - CKT BREAKER COMPRESSION LUG	#18-4 AWG
GND LUG	USER GROUND TERMINAL - CU-ALUMINUM COMPRESSION LUG	#14-6 AWG
CB1 (L1/L2)	AC INPUT TERMINALS - CKT BREAKER COMPRESSION LUG	#18-4 AWG
(A2) TB1	POS/NEG REMOTE SENSE TERMS (A2) - SOLDERLESS COMP SCREW	#22-14 AWG
(A2) TB8	TEMPCO PROBE (A10) TERM BLK - SOLDERLESS COMP SCREW	#22-14 AWG
(A1) TB6	SUMMARY ALARM TERMINAL BLOCK (A1) - SOLDERLESS COMP SCREW	#22-14 AWG

REV. DRN BY B KJB	CHK BY MCR	APP BY MCR	DATE 7/21/2021	DRN BY KJB	DATE 11/15/19
DESCRIPTION STANDARD DRAWINGS.				CHK BY MCR	DATE 11/15/19
PROPERTY AND CONFIDENTIAL NOTICE ANY REPRODUCTION, PARTIAL OR AS A WHOLE OF THIS DOCUMENT WITHOUT THE WRITTEN PERMISSION OF HINDLE POWER, INC IS STRICTLY PROHIBITED.				APP BY MCR	DATE 11/15/19
				TITLE ATEVO BATTERY CHARGER INTERNAL COMPONENT LAYOUT: STYLE-5054 W/O OPTIONS FOR CHARGERS AT 30-50ADC	
B		SCALE NTS	DWG No JE5252-20	REV B	SHEET 1 OF 1