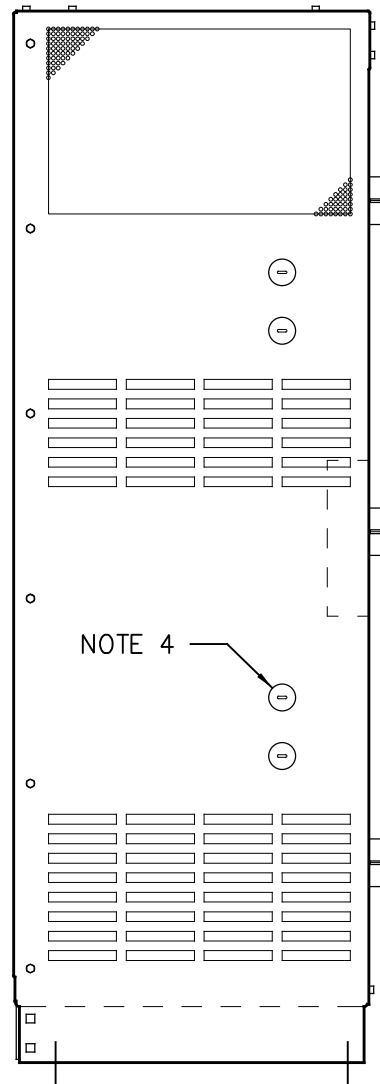
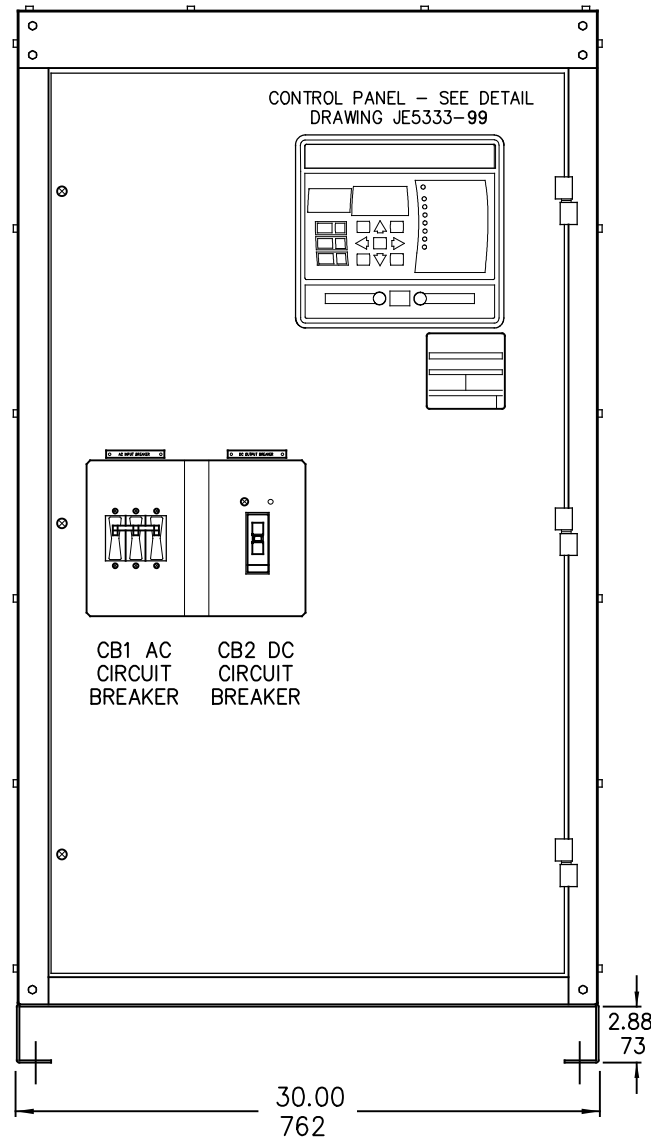


SIDE VIEW



NOTE 4

FRONT VIEW



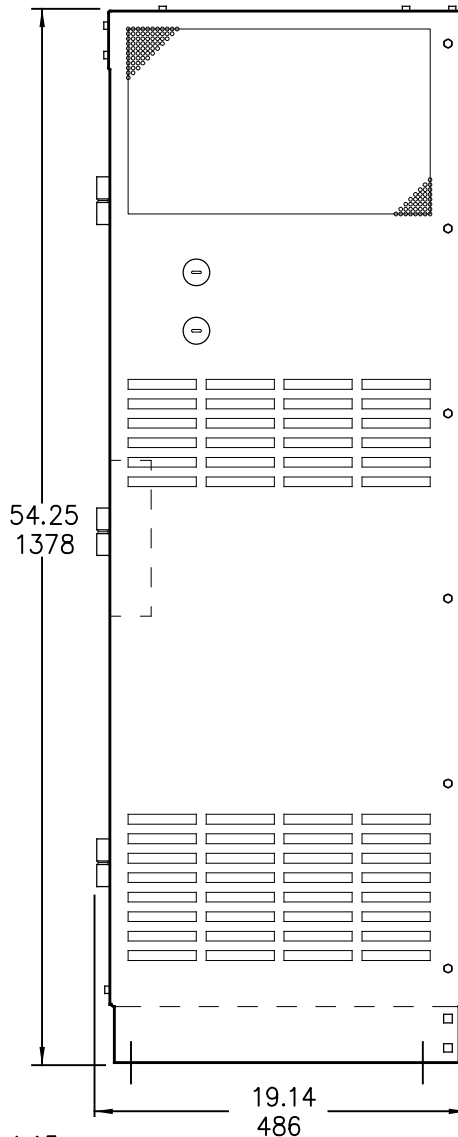
CONTROL PANEL - SEE DETAIL
DRAWING JE5333-99

CB1 AC
CIRCUIT
BREAKER CB2 DC
CIRCUIT
BREAKER

30.00
762

2.88
73

SIDE VIEW

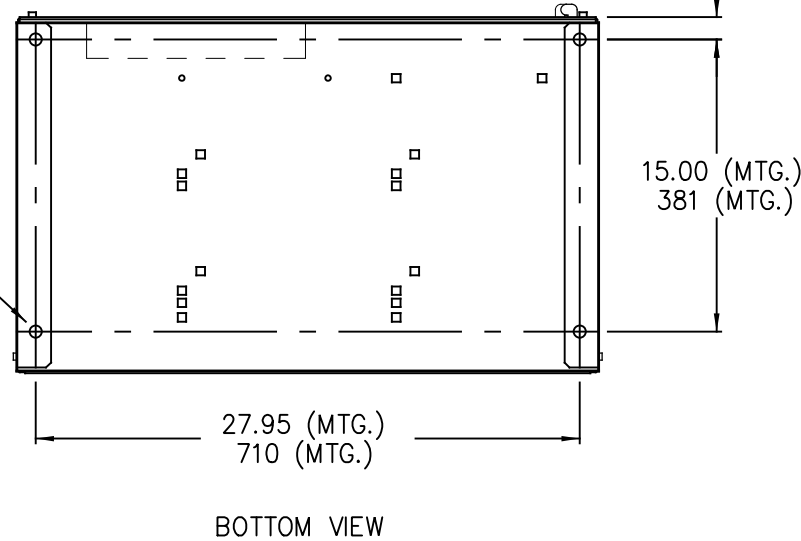


54.25
1378

19.14
486

1.15
29.1

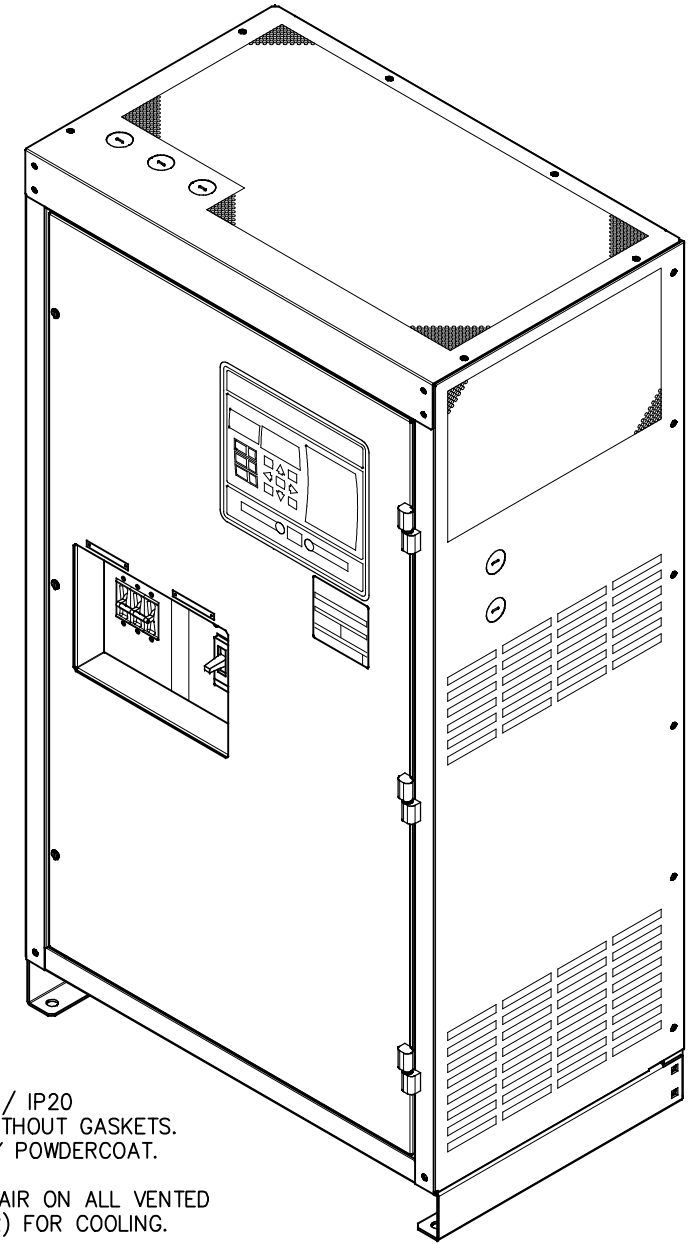
NOTE 3



15.00 (MTG.)
381 (MTG.)

27.95 (MTG.)
710 (MTG.)

BOTTOM VIEW



NOTES:

- 1) ENCLOSURE IS A NEMA TYPE 1 / IP20 TOP-VENTED STEEL CABINET WITHOUT GASKETS. FINISH IS ANSI-61 GRAY EPOXY POWDERCOAT.
- 2) ALLOW 6in / 152mm OF FREE AIR ON ALL VENTED SURFACES (TOP, SIDES & REAR) FOR COOLING.
- 3) FOUR (4) 0.625in / 16mm FLOOR-MOUNTING HOLES ARE PROVIDED ON BOTTOM OF ENCLOSURE AS SHOWN.
- 4) NINE (9) 1.31in / 33mm DIA STANDARD PRE-FAB KEY-SLOT KNOCKOUTS ARE PROVIDED AS SHOWN FOR 1in / 25mm CONDUIT ENTRY. IF ADDITIONAL CONDUIT ENTRANCES ARE REQUIRED, ENCLOSURE SHOULD BE FIELD-MODIFIED BY INSTALLER.
- 5) BATTERY CHARGER SHIPPING WEIGHT: APPROXIMATELY TBD lbs / TBD kg

DUAL DIMENSIONS in
mm

REV: 0	DRN BY: KJB	CHK BY: MCR	APP BY: RDB	DATE: 11/08/19	DRN BY: KJB	DATE: 11/08/19	TITLE ATEVO 3PH BATTERY CHARGER OUTLINE: NEMA-1 STYLE-5030 ENCL	SCALE NTS	DWG No JE5337-00	REV 0	SHEET 1 OF 1
DESCRIPTION STANDARD DRAWINGS.					CHK BY: MCR	DATE: 11/08/19					
					CHK BY: RDB	DATE: 11/08/19					