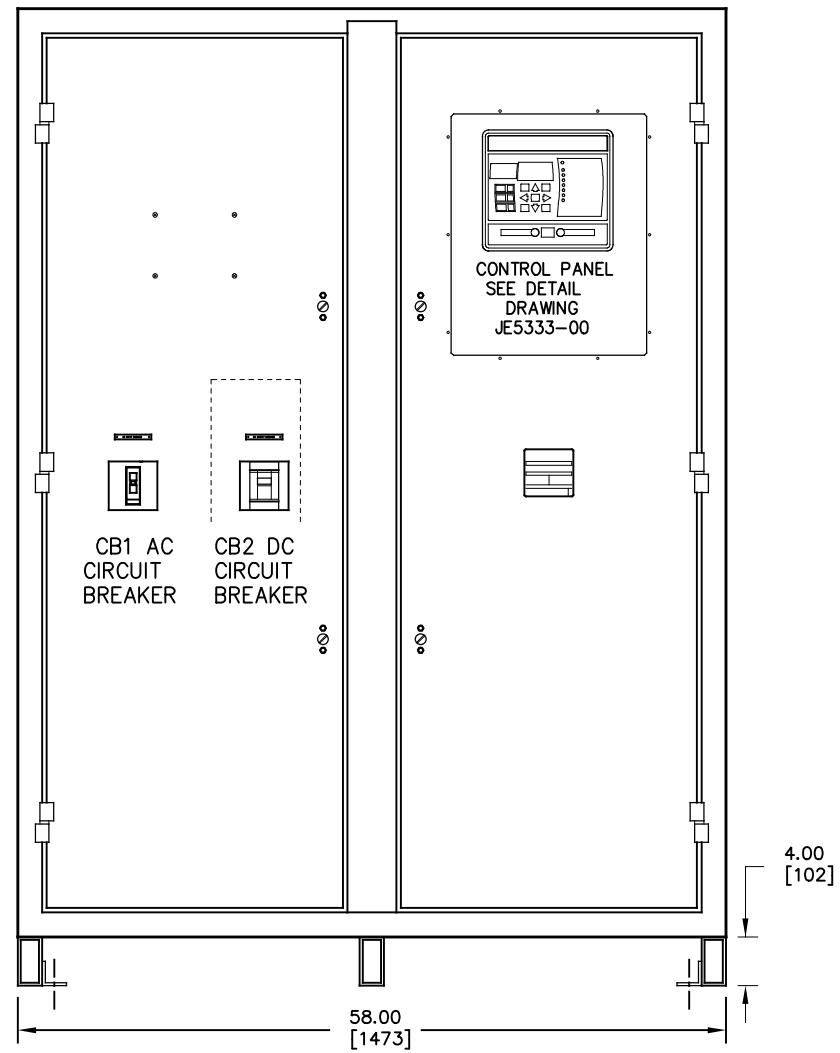
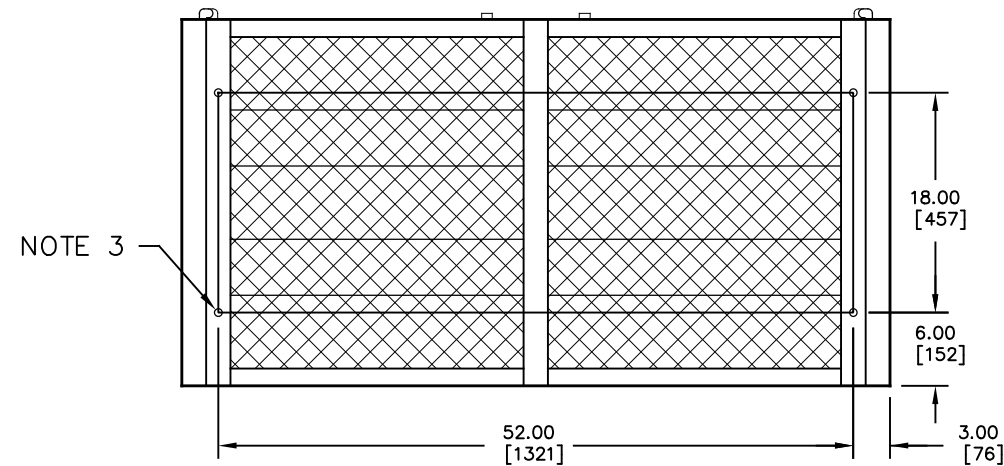
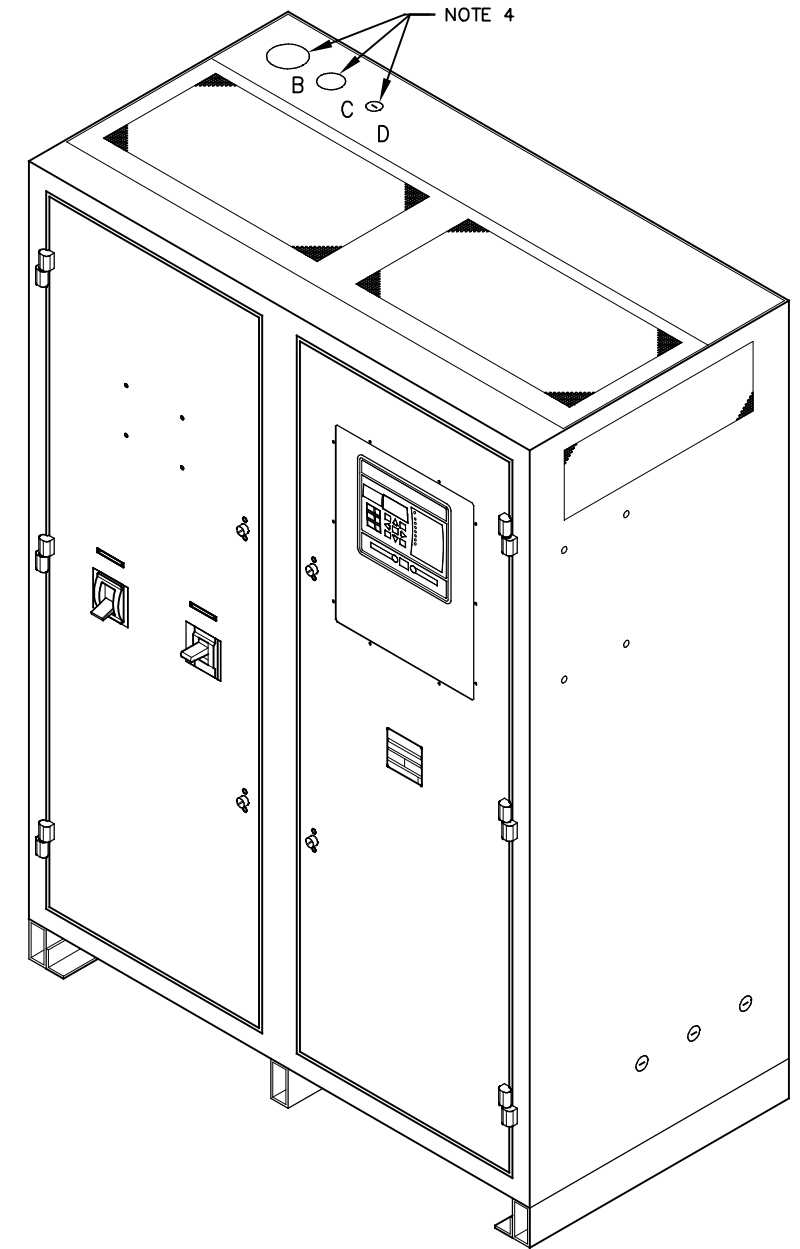
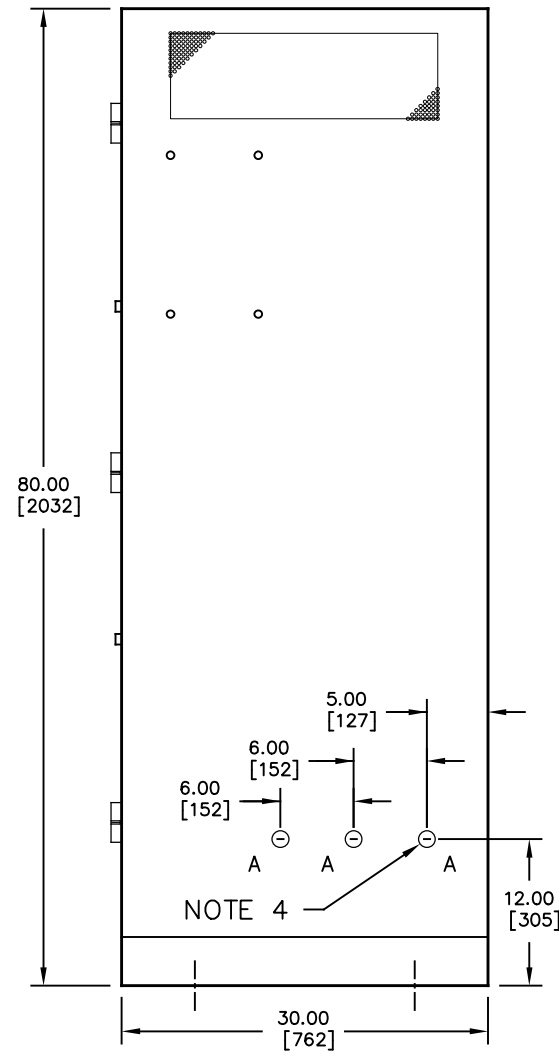


FRONT VIEW



RIGHT SIDE VIEW



BOTTOM VIEW

NOTES:

- 1) ENCLOSURE IS A NEMA TYPE 1 / IP20 TOP-VENTED STEEL CABINET WITHOUT GASKETS. FINISH IS ANSI-61 GRAY EPOXY POWDERCOAT.
- 2) ALLOW 12in / 305mm OF FREE AIR ON ALL VENTED SURFACES (TOP, SIDES & REAR) FOR COOLING.
- 3) FOUR (4) 0.625in / 16mm FLOOR-MOUNTING HOLES ARE PROVIDED ON BOTTOM OF ENCLOSURE AS SHOWN.
- 4) NINE (9) STANDARD PRE-FAB CONDUIT KNOCKOUTS ARE PROVIDED AS SHOWN FOR CABLE ENTRY. BOTTOM CONDUIT ENTRY IS POSSIBLE THROUGH EXPANDED METAL UNDERSIDE. IF ADDITIONAL CONDUIT ENTRANCES ARE REQUIRED, ENCLOSURE SHOULD BE FIELD-MODIFIED BY INSTALLER.
- 5) BATTERY CHARGER SHIPPING WEIGHT: SEE PRODUCT LITERATURE.

HOLE	DIA.	QTY.	APPLICATION
A	1.313 33.34	6	PRE-FAB CONDUIT KNOCKOUT FOR SML CABLE (BOTH SIDES)
B	3.500 88.90	1	PRE-FAB CONDUIT KNOCKOUT FOR LRG CABLE (TOP SIDE)
C	2.375 60.33	1	PRE-FAB CONDUIT KNOCKOUT FOR MED CABLE (TOP SIDE)
D	1.313 33.34	1	PRE-FAB CONDUIT KNOCKOUT FOR SML CABLE (TOP SIDE)

REV. 0	DRN BY KJB	CHK BY MCR	APP BY MCR	DATE 11/15/19	DRN BY KJB	DATE 11/15/19
DESCRIPTION				CHK BY MCR	DATE 11/15/19	
STANDARD DRAWINGS.				CHK BY MCR	DATE 11/15/19	

TITLE			
ATEVO BATTERY CHARGER OUTLINE: NEMA-1 STYLE-198 ENCL			
B	SCALE NTS	DWG No JE5351-00	REV 0 SHEET 1 OF 1

DUAL DIMENSIONS in mm