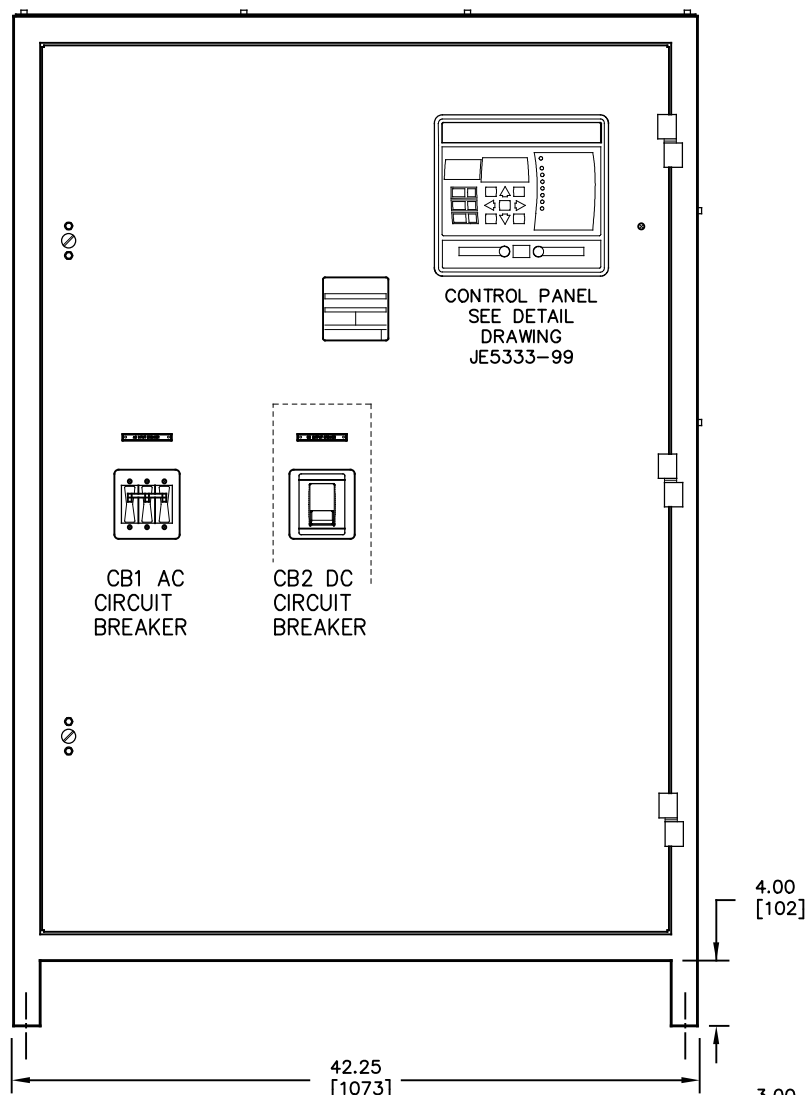
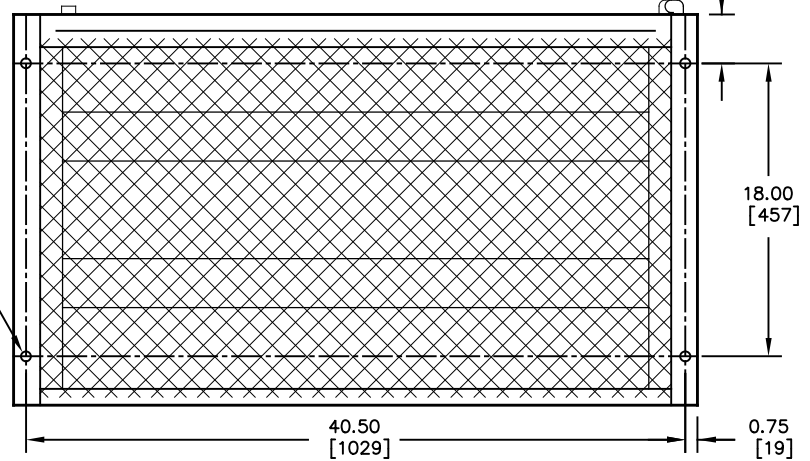
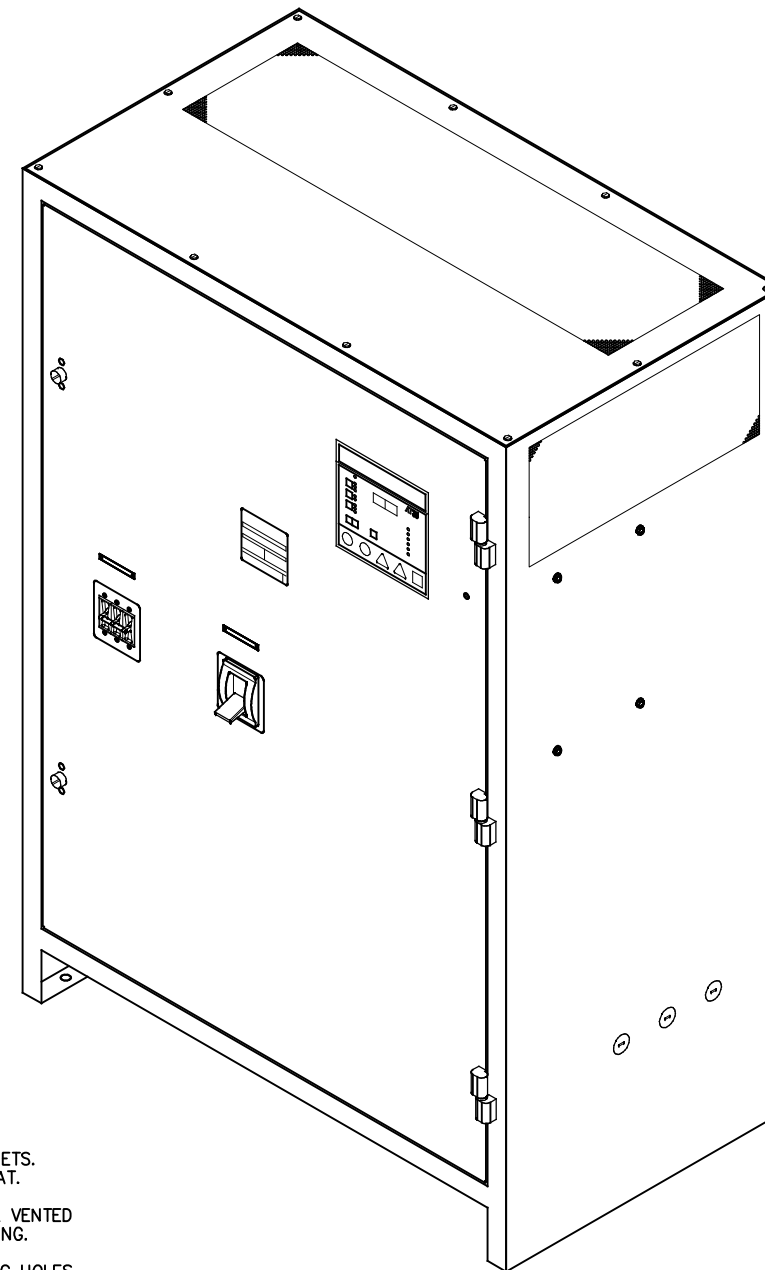
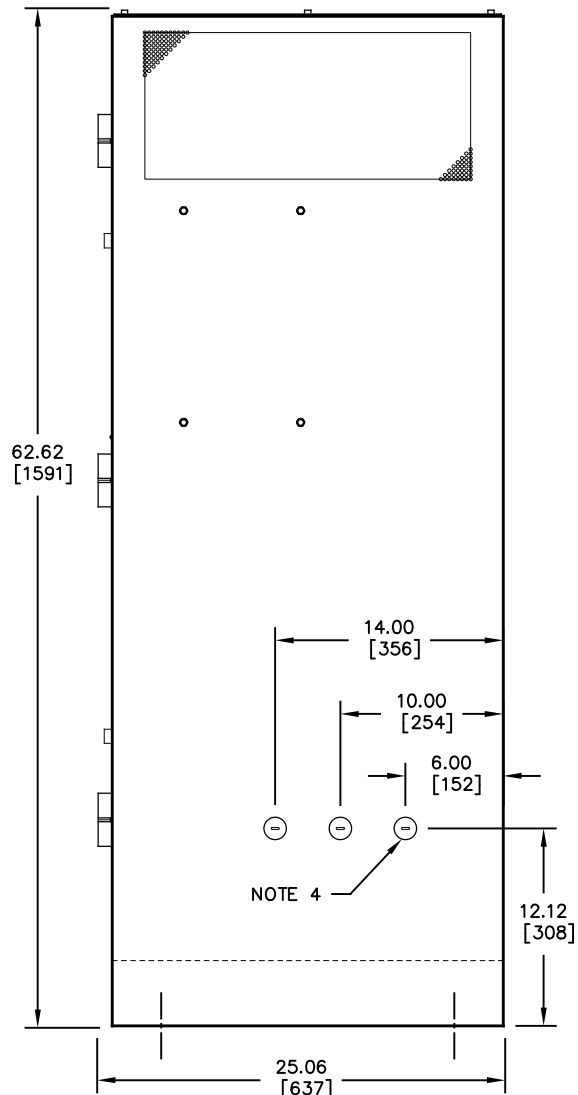


FRONT VIEW



SIDE VIEW



BOTTOM VIEW

NOTES:

- 1) ENCLOSURE IS A NEMA TYPE 1 / IP20 TOP-VENTED STEEL CABINET WITHOUT GASKETS. FINISH IS ANSI-61 GRAY EPOXY POWDERCOAT.
- 2) ALLOW 12in / 305mm OF FREE AIR ON ALL VENTED SURFACES (TOP, SIDES & REAR) FOR COOLING.
- 3) FOUR (4) 0.625in / 16mm FLOOR-MOUNTING HOLES ARE PROVIDED ON BOTTOM OF ENCLOSURE AS SHOWN.
- 4) SIX (6) 1.31in / 33mm DIA STANDARD PRE-FAB CONDUIT KNOCKOUTS ARE PROVIDED AS SHOWN FOR 1in / 25mm CABLE ENTRY. BOTTOM CONDUIT ENTRY IS POSSIBLE THROUGH EXPANDED METAL UNDERSIDE. IF ADDITIONAL CONDUIT ENTRANCES ARE REQUIRED, ENCLOSURE SHOULD BE FIELD-MODIFIED BY INSTALLER.
- 5) BATTERY CHARGER SHIPPING WEIGHT: SEE PRODUCT LITERATURE.

NOTE 3

DUAL DIMENSIONS in mm

REV. 0	DRN BY KJB	CHK BY MCR	APP BY MCR	DATE 11/19/19	DRN BY KJB	DATE: 11/19/19	TITLE <b>ATEVO BATTERY CHARGER OUTLINE: NEMA-1 STYLE-163 ENCL</b>	SCALE NTS	DWG No <b>JE5361-00</b>	REV 0	SHEET 1 OF 1
DESCRIPTION STANDARD DRAWINGS.					CHK BY MCR	DATE: 11/19/19					
					CHK BY MCR	DATE: 11/19/19					
								<b>B</b>			