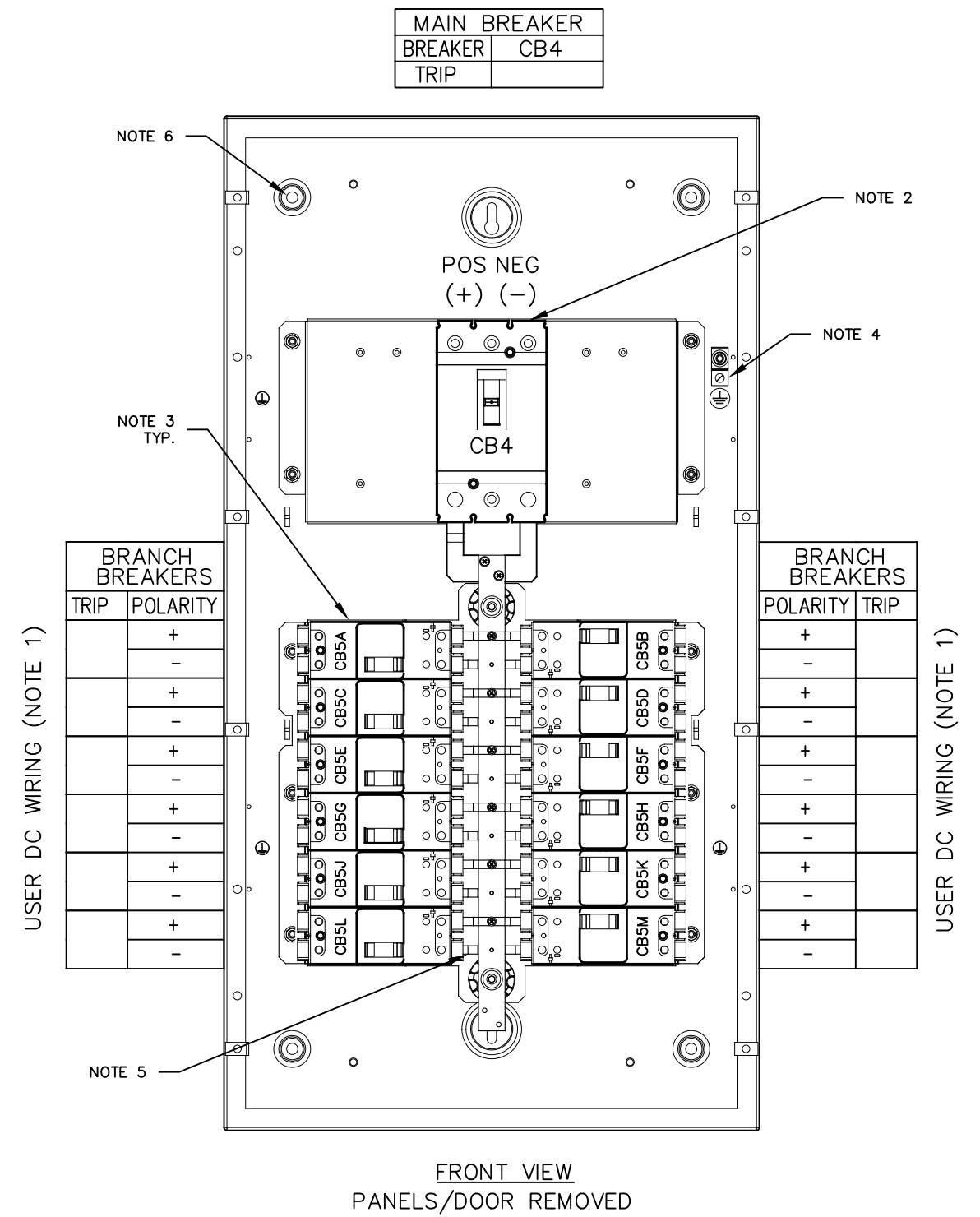
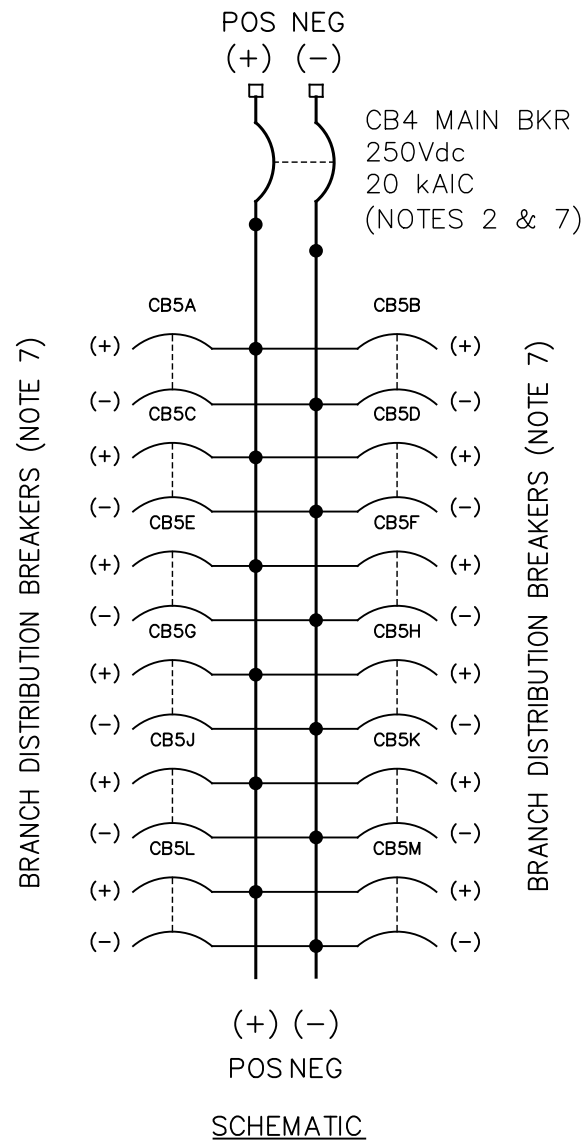


NOTES:

- ALL WIRING SHOULD CONFORM TO NEC, LOCAL, AND SITE CODES. USE ONLY COPPER (CU) CONDUCTORS.
- ONE (1) MAIN FEEDER CIRCUIT BREAKER (CB4)
 - Square-D PowerPact Jx2-FRAME
 - COMPRESSION LUGS, ACCEPTING 3/0 TO 350 MCM
- BRANCH BREAKERS (CB5x)
 - Square-D PowerPact Bx2-FRAME
 - COMPRESSION LUGS, ACCEPTING #14 TO 3/0 AWG
- CU-AL GROUND COMPRESSION BOX LUG TERMINAL
 - ACCEPTING #14 TO 1/0 AWG WIRE
- COPPER BUS BARS SUPPLIED FOR EASE OF BRANCH CIRCUIT BREAKER INSTALLATION.
- REAR WALL-MOUNTING HOLES, SEE JE5368-38 FOR EXTERNAL MOUNTING DETAILS.
- ALL BREAKERS (MAIN FEEDER & DISTRIBUTION) ARE LISTED TO STANDARD UL 489.
- FOR FURTHER DETAILS, SEE DCP OPERATING INSTRUCTIONS (JA5117-01).



REV	DRN BY	CHK BY	APP BY	DATE	DRN BY	DATE	TITLE DC CONTROL PANEL INTERNAL COMPONENT LAYOUT DRAWING STYLE-5013 MH38 - (1) Jx2 MAIN
0	MCR	n/a	n/a	01.15.2024	MCR	01.15.2024	
DESCRIPTION				REV. 0: INITIAL RELEASE	CHK BY	DATE	
				n/a	01.15.2024		
				APP BY	DATE		
				n/a	01.15.2024		
NOTICE							
• UNCONTROLLED DOCUMENT							
• CHANGES / DIGITAL SIGNATURES MAINTAINED BY MANUFACTURER							
THIRD ANGLE PROJECTION			SIZE	B	SCALE	NTS	DWG No
						JE5369-36	
REV	0	SHEET	1 OF 1				