

No.	DRAWING No.	REV	SHT	DRAWING TITLE
1	JE5035-25	9	1	LMC DRAWING LIST / DATA NAMEPLATE (THIS SHEET)
2	JE5036-25	9	1	LMC OUTLINE: NEMA-1 STYLE-5018 ENCL W/HAND TRUCK
3	JE5037-25	9	1	LMC INTERNAL COMPONENT LAYOUT: STYLE-5018
4	JE5038-25	9	1	UNIVERSAL MAINTENANCE CHGR INSTRUMENT PANEL DETAIL
5	JE5039-25	9	1	LMC SCHEMATIC: BB0443-00 (10-25 ADC)
6	JE5040-25	9	1	LMC CONNECTION DIAGRAM: BB0443-00 (10-25 ADC)

<b>MAINTENANCE BATTERY CHARGER</b>	
MODEL No. BB0443-00	
SERIAL No. CUST. PO#/MFG. SALES#	
<b>INPUT</b>	<b>OUTPUT</b>
AC VOLTS 120/208/240/480	DC VOLTS 24/48/130
MAX. AC AMPERES 62/31/27/14	DC AMPERES 10-25
HERTZ 60 PHASE 1	RIPPLE mV rms 200 W/O BATT
BATTERY TYPE N/A	No. OF CELLS N/A
MADE IN USA	

NOTE 1 ←

NOTE 2 ←

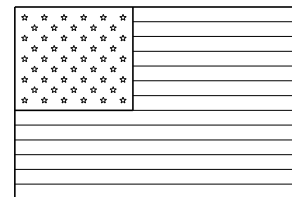
NOTE 3 →

NOTE 4 →

NAMEPLATE NOTES:

- 1) FEATURED SERIAL NUMBER REPRESENTS ONE UNIT. MULTIPLE UNITS WILL BE NUMBER-SEQUENCED (e.g. -1,-2,-3, etc.).
- 2) UNIVERSAL MAINTENANCE CHARGER DESIGNED FOR TEMPORARY MOBILE USE ON BATTERY, NOT FOR STATIONARY SUPPORT OF CRITICAL/SENSITIVE DC LOADS. LISTED VALUE REPRESENTS MAXIMUM ALLOWABLE LIMIT WITHOUT BATTERY.
- 3) MOBILE UNIVERSAL MAINTENANCE CHARGER APPLICABLE TO VARIOUS BATTERY TYPES AND NUMBER OF CELLS.
- 4) AC AMPERES LISTED ON DATAPLATE IS A CALCULATED VALUE OF CHARGER'S INPUT CURRENT AT MAX OUTPUT. MEASURED AC CURRENT DURING NOMINAL OPERATION WILL BE LOWER. USER WIRING AND FEEDER BREAKER TO AC INPUT TERMINAL BLOCK (TB1) SHOULD CONFORM TO NEC AND SITE CODES, AND BE SIZED FOR THE TRIP RATING OF AC INPUT BREAKER (CB1).

MADE IN



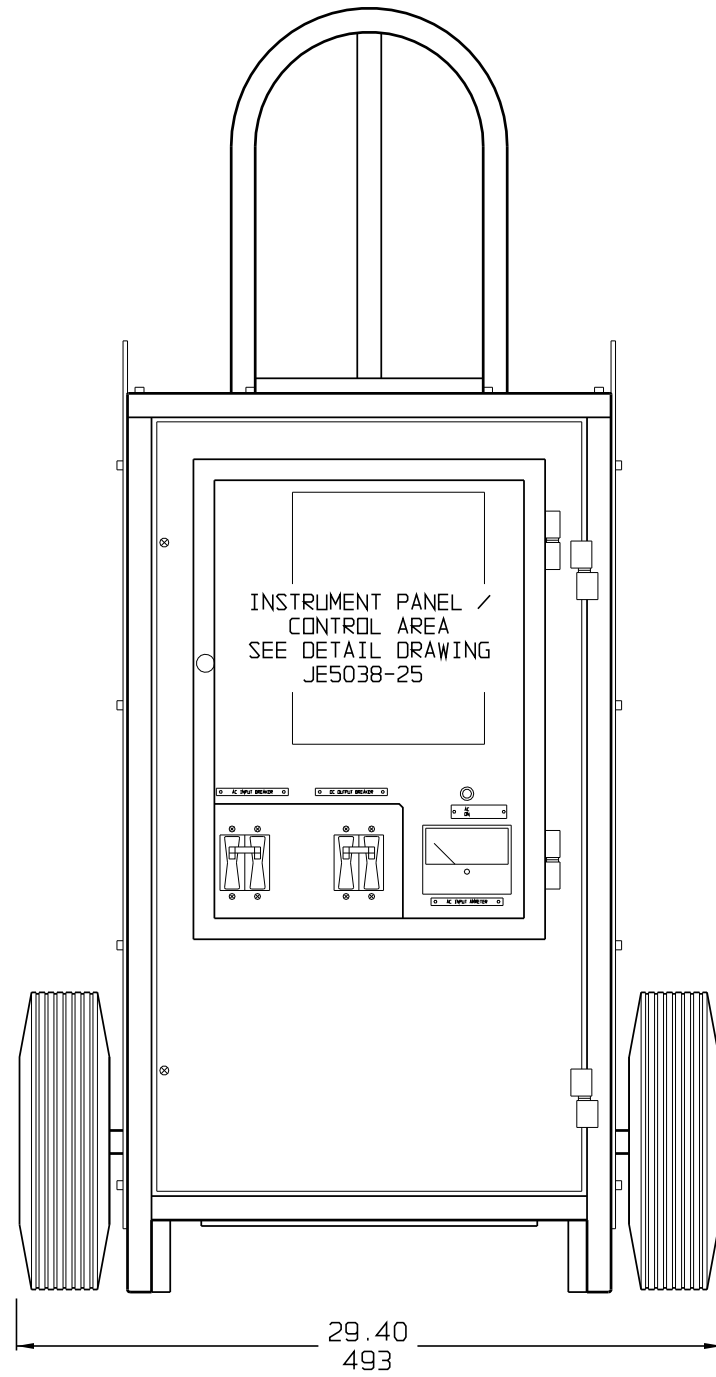
U. S. A.

DRAWING PACKAGE NOTES:

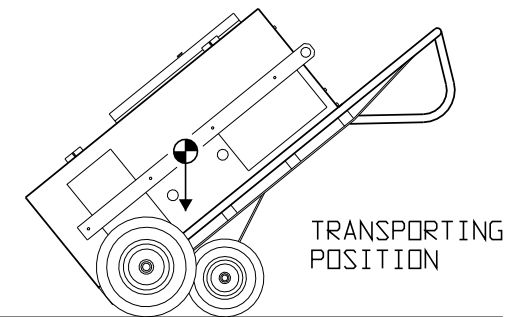
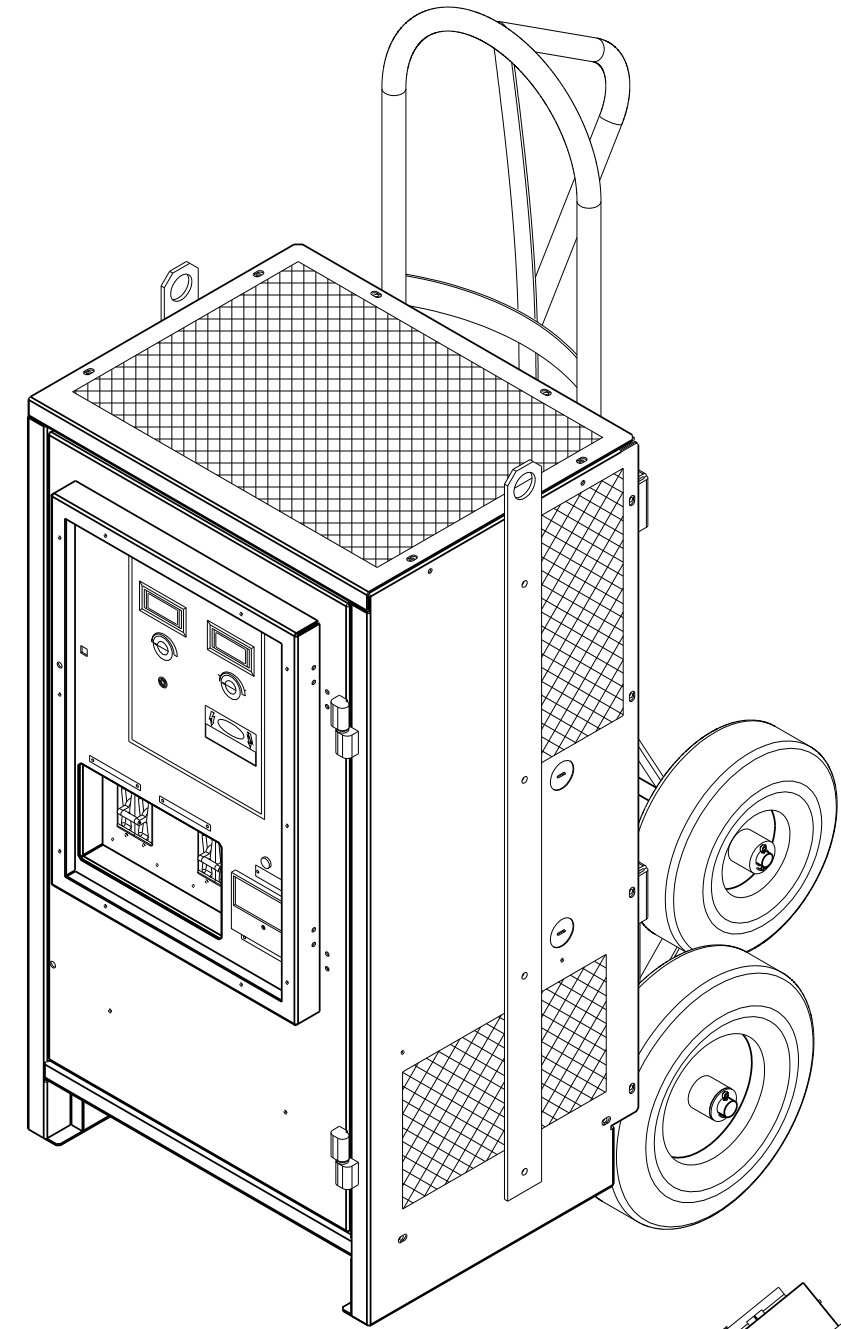
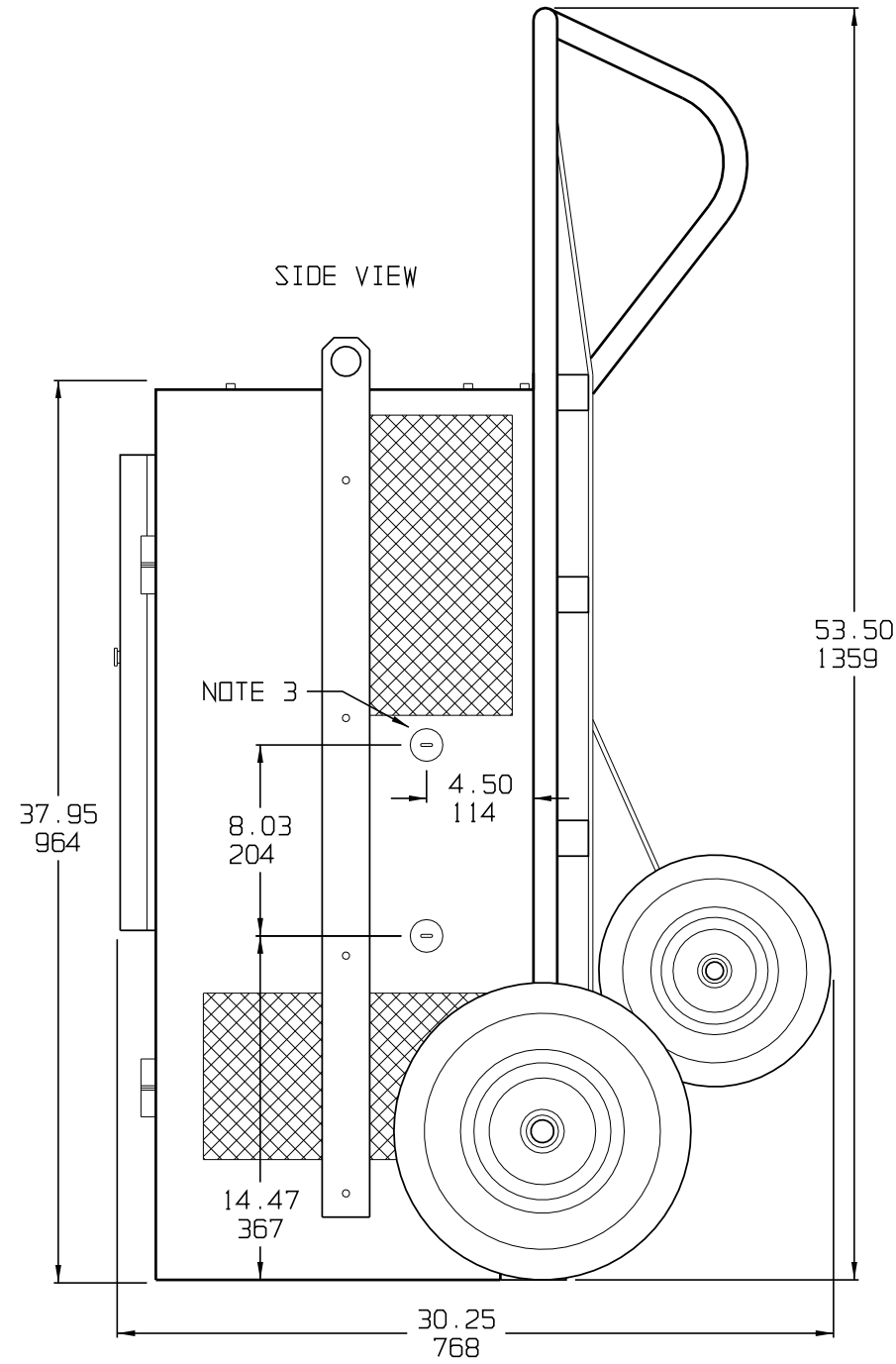
- A) THIS DRAWING PACKAGE REPRESENTS PART No. JH0003-LMC-25.
- B) ALL SHEETS OF THE ABOVE LIST ARE A COMPLETE PACKAGE AND SHOULD NOT BE SEPERATED FROM ONE ANOTHER.
- C) ELECTRONIC VERSIONS OF THESE DOCUMENTS ARE AVAILABLE IN AutoCAD (DWG) FORMAT AND/OR Adobe Acrobat (PDF) FORMAT.

9	26612	092018	 THIRD ANGLE PROJECTION	TITLE UNIVERSAL MAINTENANCE CHARGER (LMC) DRAWING LIST / DATA NAMEPLATE DETAIL	
8	25942	042417			
-	25868	031017	DRAWN BY MCR 052104	DRAWING No. JE5035-25	
7	25864	030817	ELECTRONIC APPROVAL SIGNATURES MAINTAINED BY MFG ECN LOG	REV 9	<b>B</b>
6	21450	120808	UNLESS OTHERWISE NOTED DIMENSIONS ARE IN INCHES. TOLERANCES ARE:	SCALE NTS	PART No JE5035-25 SHEET 1 OF 1
REV	ECN No	DATE			

FRONT VIEW



SIDE VIEW



TRANSPORTING POSITION

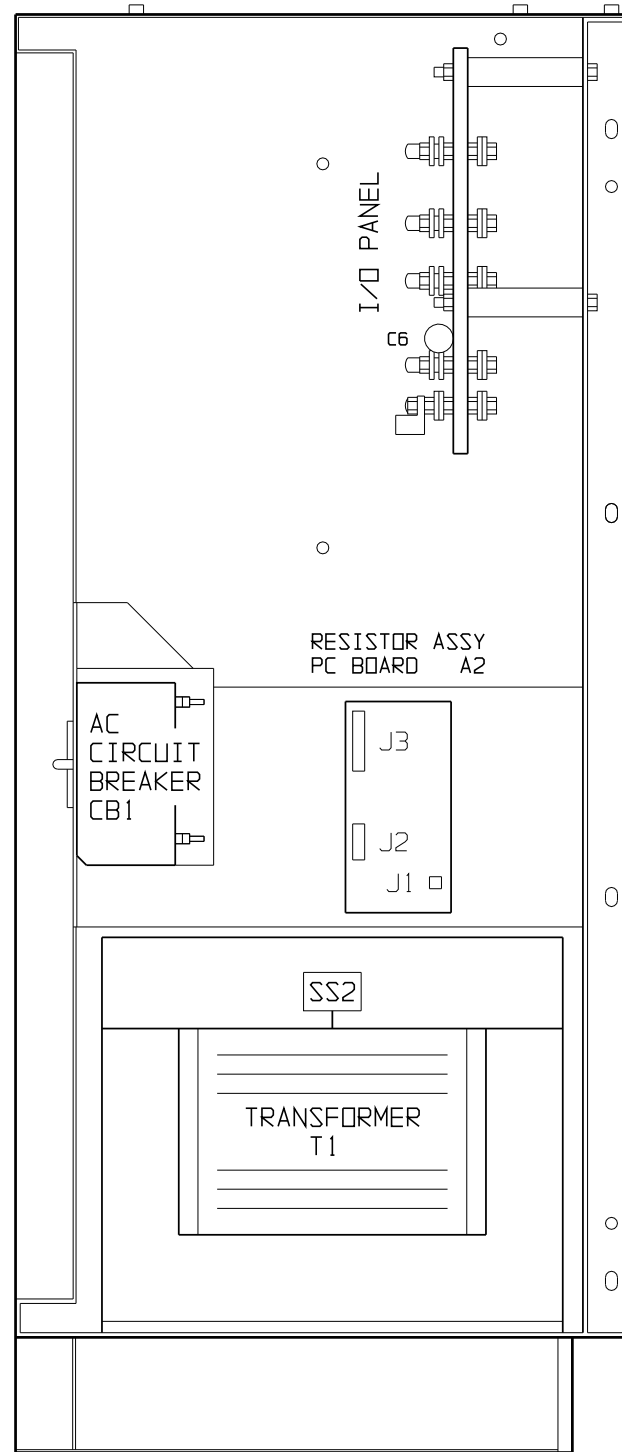
NOTES:

- 1) ENCLOSURE IS A NEMA-1 / IP20 TYPE STEEL CABINET WITHOUT GASKETS, FINISH IS ANSI-61 GRAY EPOXY POWDERCOAT.
- 2) ALLOW 12in / 305mm OF FREE AIR ALL AROUND CABINET FOR VENTILATION.
- 3) TWO (2) 1in/25mm I/O CONDUIT KNOCKOUTS ARE PROVIDED AS SHOWN ON THE LOWER-RIGHT SIDE OF ENCLOSURE.
- 4) BATTERY CHARGER SHIPPING WEIGHT: APPROXIMATELY 290 lbs. / 132 kg.

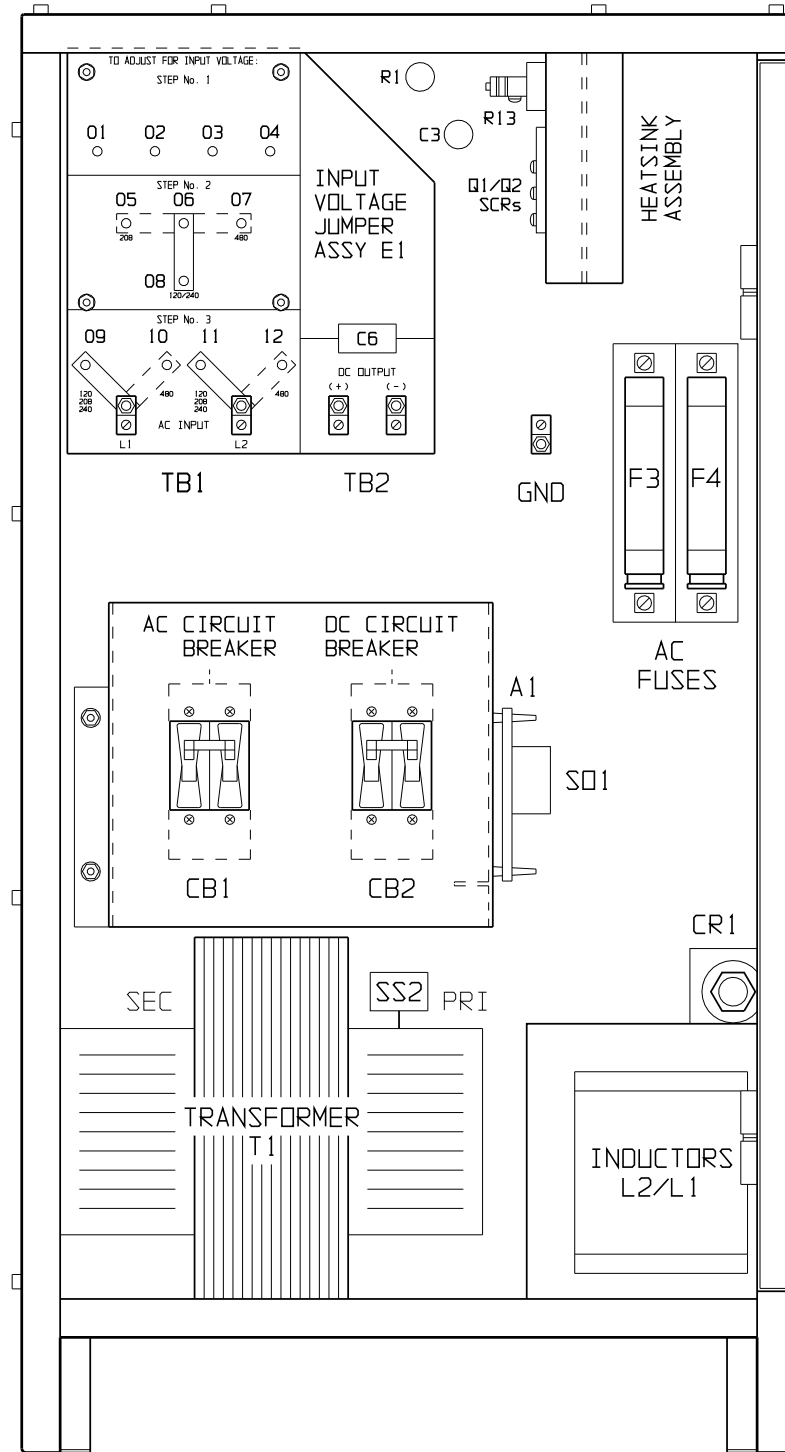
DUAL DIMENSIONS in mm

9	26612	092018	THIRD ANGLE PROJECTION	TITLE UNIVERSAL MAINTENANCE CHARGER OUTLINE: NEMA-1 STYLE-5018 ENCLOSURE W/HAND TRUCK		
6	21406	111908				
5	20462	121506	DRAWN BY MCR 052104	DRAWING No JE5036-25		
4	20385	102006	ELECTRONIC APPROVAL SIGNATURES MAINTAINED BY MFG ECN LOG	REV 9	<b>B</b>	
0	E1649	052104	UNLESS OTHERWISE NOTED DIMENSIONS ARE IN INCHES. TOLERANCES ARE:	SCALE NTS	PART No JE5036-25	SHEET 1 OF 1
REV	ECN No	DATE				

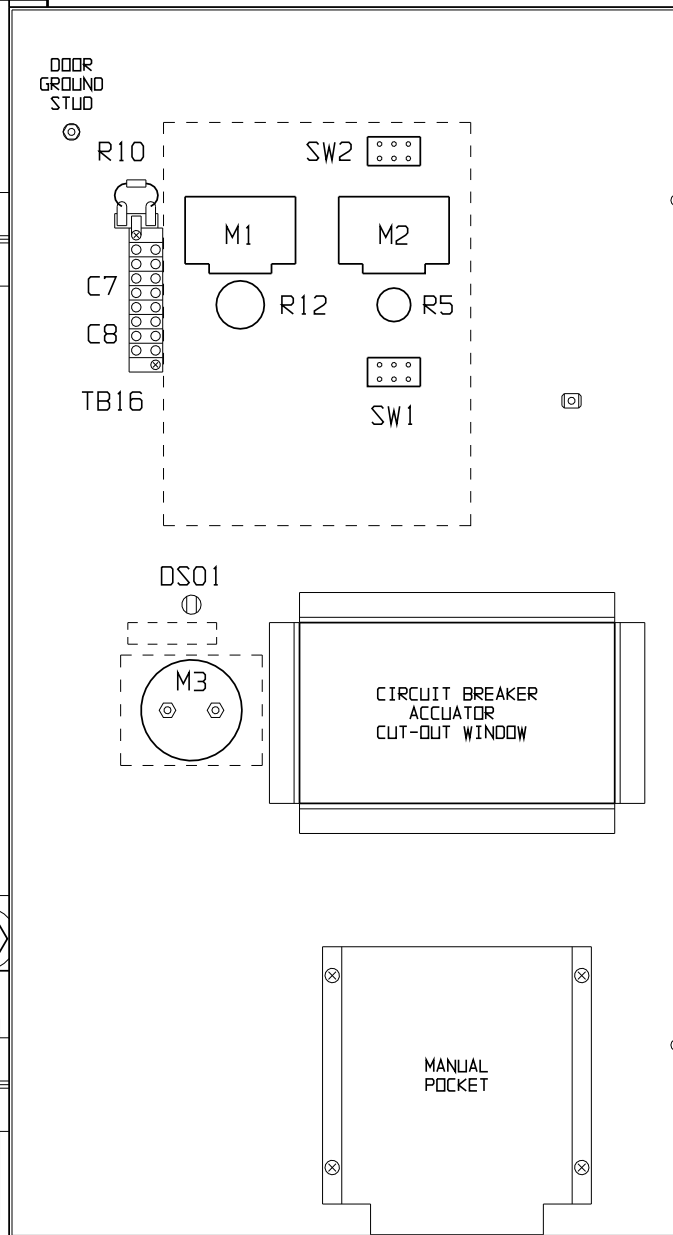
LEFT SIDE SECTION



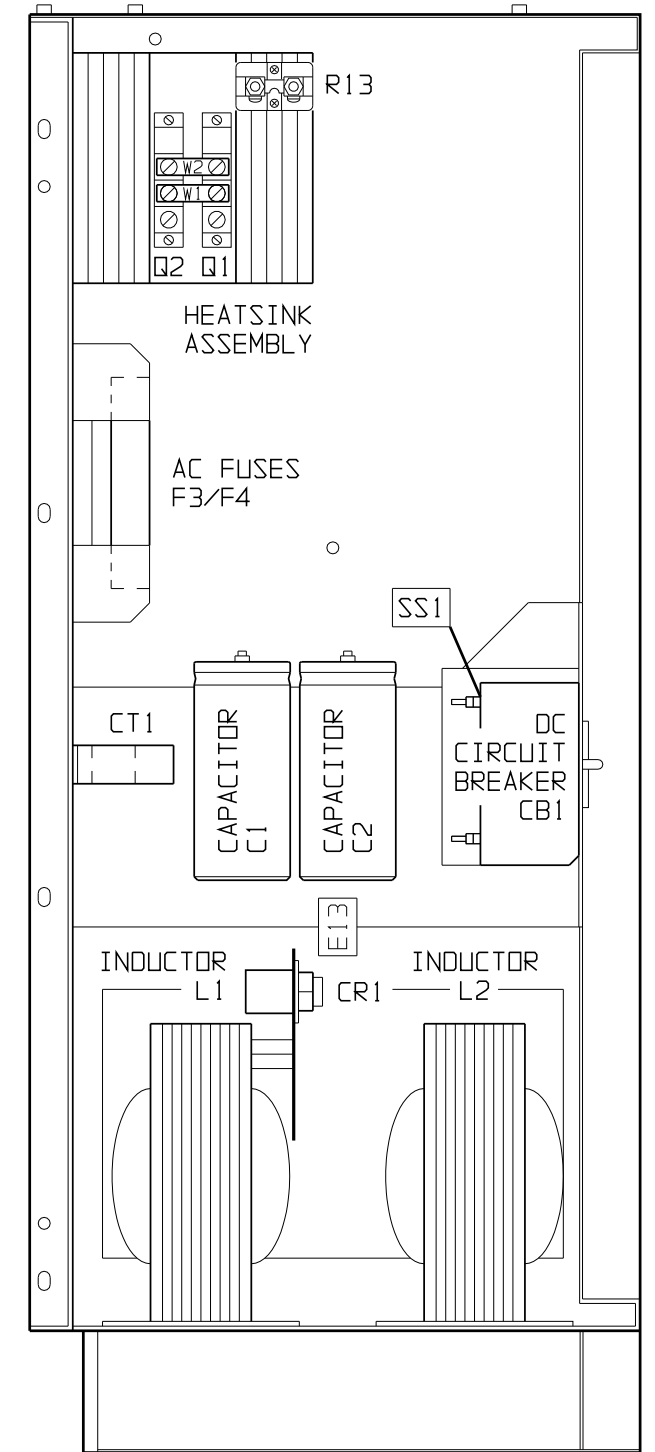
FRONT VIEW



BACK SIDE VIEW OF OPENED FRONT DOOR



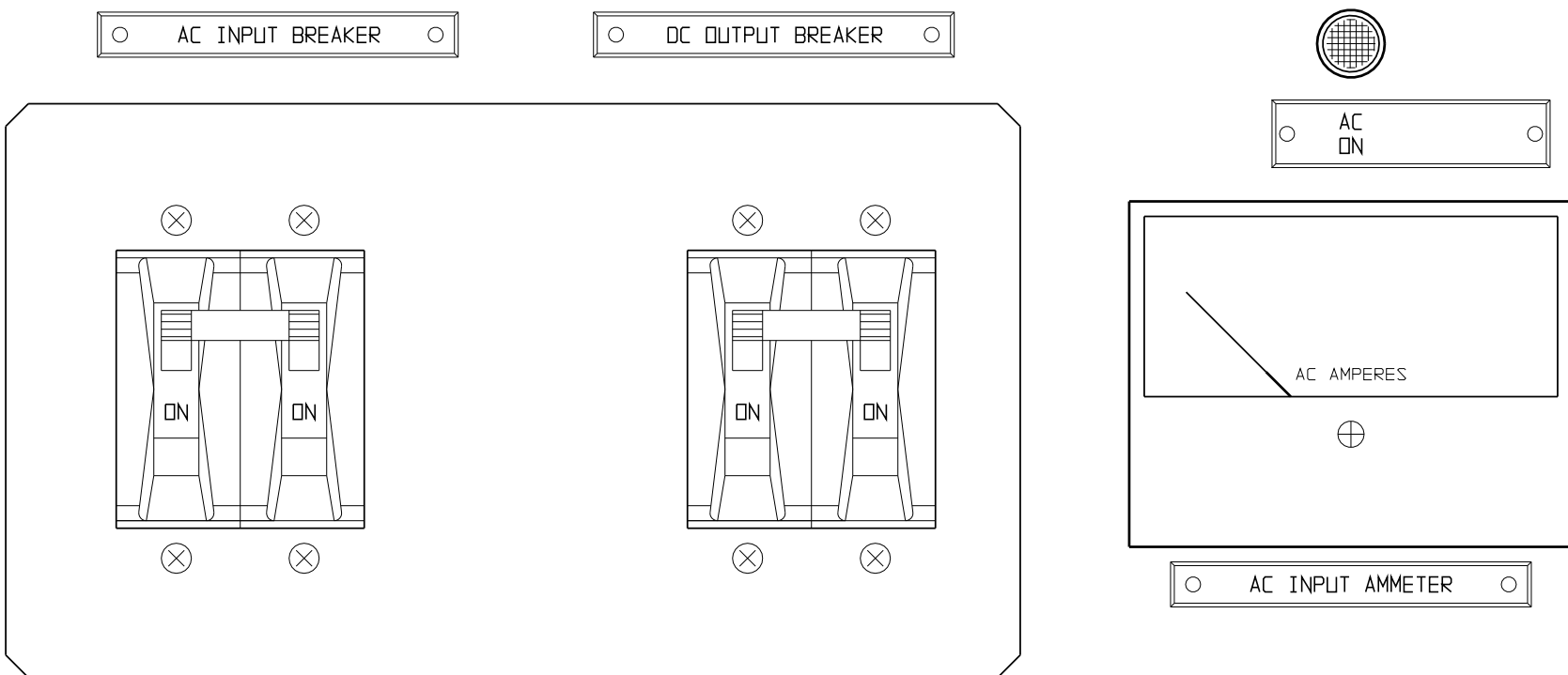
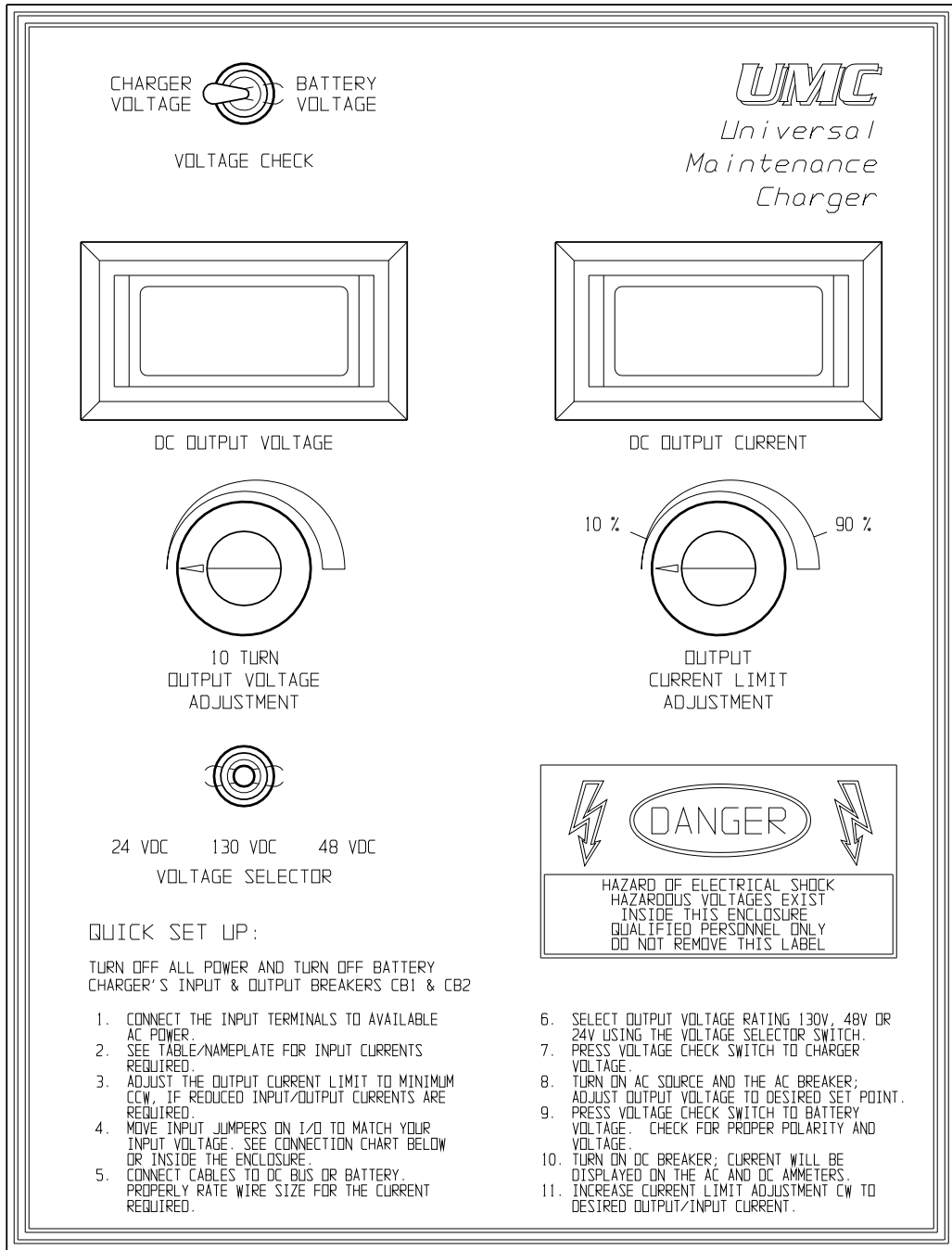
RIGHT SIDE SECTION



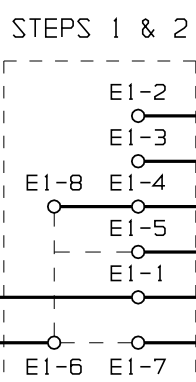
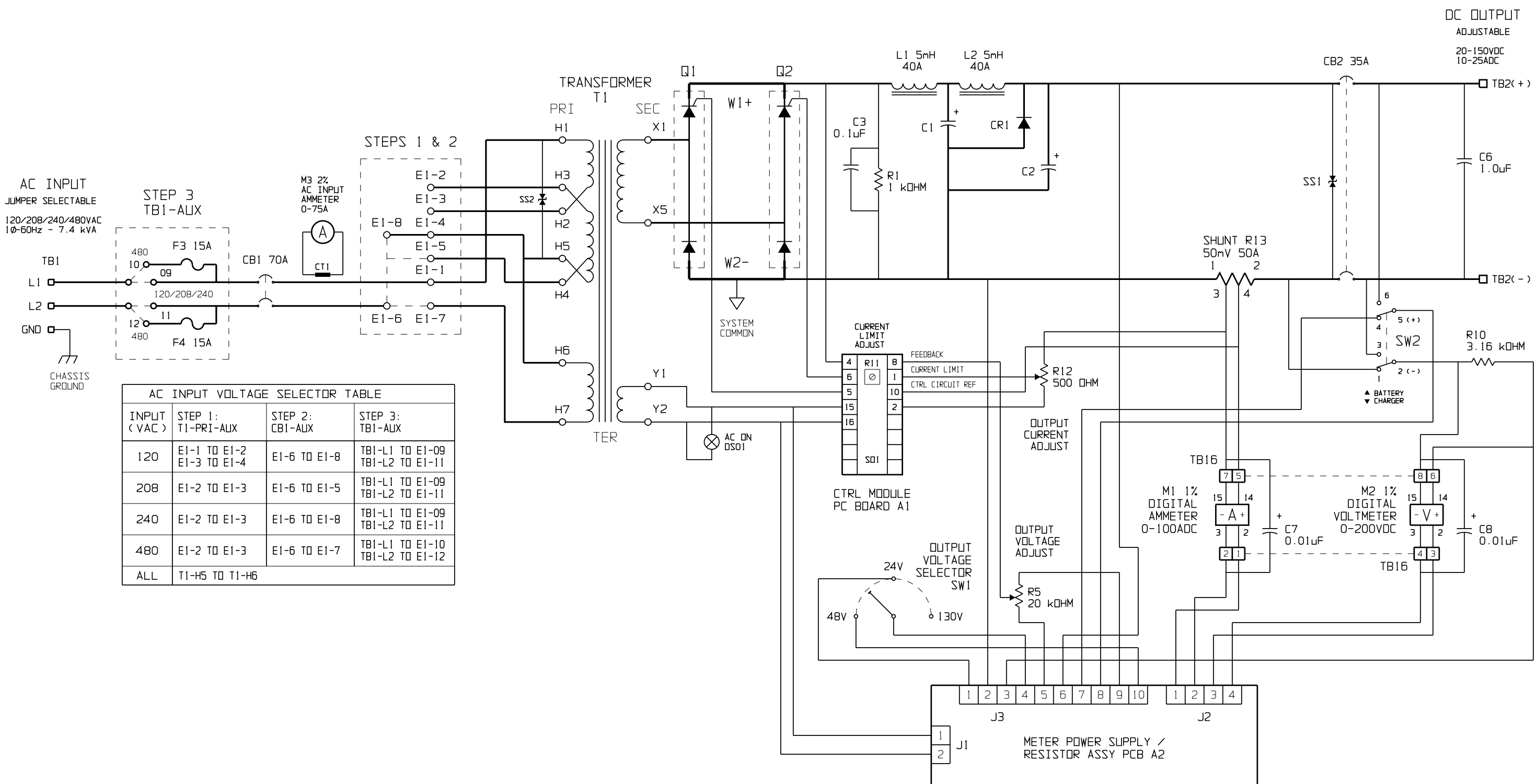
NOTE:  
FOR LIST OF COMPONENT CIRCUIT SYMBOLS AND DESCRIPTIONS, SEE UMC SCHEMATIC (JE5039-25).

I/O TERMINAL	DESCRIPTION - TYPE	CONNECTION
TB1-L1	AC INPUT TERMINAL - CU-ALUMINUM COMPRESSION LUG	#14-1/0 AWG
TB1-L2	AC INPUT TERMINAL - CU-ALUMINUM COMPRESSION LUG	#14-1/0 AWG
GND	GROUND TERMINAL - CU-ALUMINUM COMPRESSION LUG	#14-2 AWG
TB2(+)	POSITIVE OUTPUT TERMINAL - CU-ALUMINUM COMPRESSION LUG	#14-1/0 AWG
TB2(-)	NEGATIVE OUTPUT TERMINAL - CU-ALUMINUM COMPRESSION LUG	#14-1/0 AWG

9	26612	092018	 THIRD ANGLE PROJECTION	TITLE UNIVERSAL MAINTENANCE CHARGER INTERNAL COMPONENT LAYOUT: STYLE-5018	
6	21406	111908			
5	20462	121506	DRAWN BY MCR 052104	DRAWING No JE5037-25 REV 9 <b>B</b>	
4	20385	102006	ELECTRONIC APPROVAL SIGNATURES MAINTAINED BY MFG ECN LOG		
0	E1649	052104	UNLESS OTHERWISE NOTED DIMENSIONS ARE IN INCHES. TOLERANCES ARE:	SCALE NTS PART No JE5037-25 SHEET 1 OF 1	
REV	ECN No	DATE			



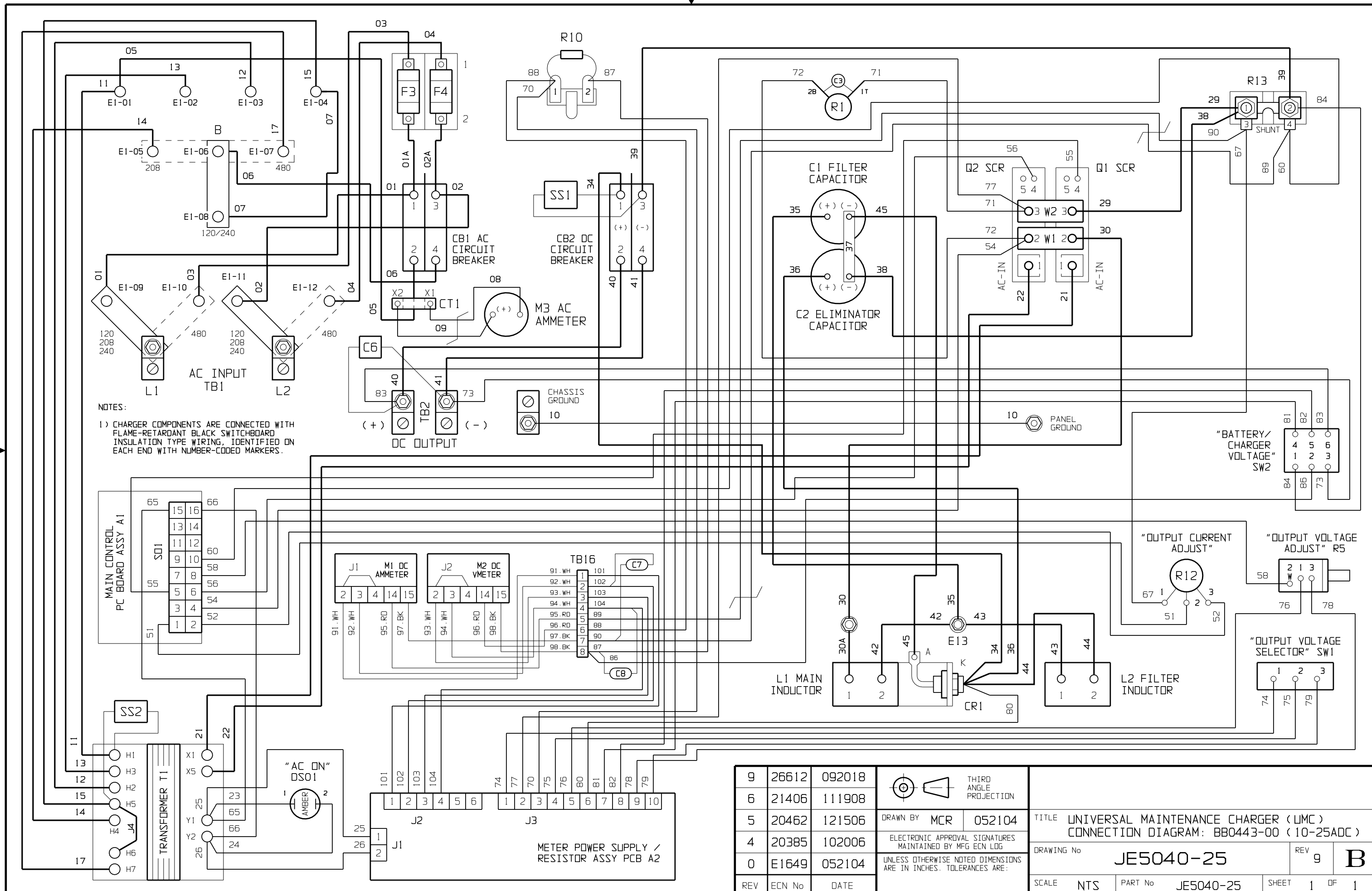
9	26612	092018	 THIRD ANGLE PROJECTION	TITLE    UNIVERSAL MAINTENANCE CHARGER (UMC) INSTRUMENT PANEL DETAIL		
6	21406	111908				
5	20462	121506	DRAWN BY    MCR    052104	DRAWING No <b>JE5038-25</b> REV    9 <b>B</b>		
4	20385	102006	ELECTRONIC APPROVAL SIGNATURES MAINTAINED BY MFG ECN LOG			
0	E1649	052104	UNLESS OTHERWISE NOTED DIMENSIONS ARE IN INCHES. TOLERANCES ARE:	SCALE    NTS    PART No    JE5038-25    SHEET    1    OF    1		
REV	ECN No	DATE				



INPUT (VAC)	STEP 1: T1-PRI-AUX	STEP 2: CBI-AUX	STEP 3: TBI-AUX
120	E1-1 TO E1-2 E1-3 TO E1-4	E1-6 TO E1-8	TBI-L1 TO E1-09 TBI-L2 TO E1-11
208	E1-2 TO E1-3	E1-6 TO E1-5	TBI-L1 TO E1-09 TBI-L2 TO E1-11
240	E1-2 TO E1-3	E1-6 TO E1-8	TBI-L1 TO E1-09 TBI-L2 TO E1-11
480	E1-2 TO E1-3	E1-6 TO E1-7	TBI-L1 TO E1-10 TBI-L2 TO E1-12
ALL	T1-H5 TO T1-H6		

SYM	DESCRIPTION	SYM	DESCRIPTION	SYM	DESCRIPTION
A1	MAIN CONTROL PC BOARD	F3	AC INPUT FUSE	R12	"OUTPUT CURRENT ADJUST" POT
A2	METER POWER SUPPLY / RES ASSY PCB	F4	AC INPUT FUSE	R13	MAIN DC CURRENT-SENSING SHUNT
C1	FILTER CAPACITOR	L1	MAIN INDUCTOR	SD1	MAIN CTRL PCB (A1) INTERCONNECTOR
C2	BATTERY ELIMINATOR FILTER CAP	L2	FILTER INDUCTOR	SS1	DC OUTPUT SURGE SUPPRESSOR
C3	SNUBBER CAPACITOR	M1	DC OUTPUT AMMETER	SS2	AC INPUT SURGE SUPPRESSOR
C6	DC OUTPUT EMI FILTER CAP (+ TO -)	M2	DC OUTPUT VOLTMETER	SW1	"OUTPUT VOLTAGE SELECTOR" SWITCH
C7	DC AMMETER (M1) SIGNAL FILTER CAP	M3	AC INPUT AMMETER	SW2	"BATTERY/CHARGER VOLTAGE" SWITCH
C8	DC VMETER (M2) SIGNAL FILTER CAP	Q1	SILICON-CONTROLLED RECTIFIER	T1	POWER ISOLATION TRANSFORMER
CB1	AC INPUT CIRCUIT BREAKER	Q2	SILICON-CONTROLLED RECTIFIER	TB1	AC INPUT TERMINALS
CB2	DC OUTPUT CIRCUIT BREAKER	R1	BLEED RESISTOR	TB2	DC OUTPUT TERMINALS
CR1	POLARITY DIODE	R5	"OUTPUT VOLTAGE ADJUST" POT	TB16	METER POWER SUPPLY INTERFACE
CT1	AC CURRENT TRANSFORMER	R10	VMETER VOLTAGE DIVIDER RESISTOR	W1	COPPER BUS BAR (POS LEG)
DSO1	"AC ON" INDICATOR LIGHT	R11	CURRENT LIMIT ADJUST POTENTIOMETER	W2	COPPER BUS BAR (NEG LEG)

REV	ECN No	DATE	THIRD ANGLE PROJECTION	TITLE
9	26612	092018		UNIVERSAL MAINTENANCE CHARGER (LMC) SCHEMATIC: BB0443-00 (10-25ADC)
6	21406	111908		
5	20462	121506	DRAWN BY MCR 052104	DRAWING No JE5039-25 REV 9 B
4	20385	102006	ELECTRONIC APPROVAL SIGNATURES MAINTAINED BY MFG ECN LOG	
0	E1649	052104	UNLESS OTHERWISE NOTED DIMENSIONS ARE IN INCHES. TOLERANCES ARE:	SCALE NTS PART No JE5039-25 SHEET 1 OF 1



NOTES:  
 1) CHARGER COMPONENTS ARE CONNECTED WITH FLAME-RETARDANT BLACK SWITCHBOARD INSULATION TYPE WIRING, IDENTIFIED ON EACH END WITH NUMBER-CODED MARKERS.

REV	ECN No	DATE
9	26612	092018
6	21406	111908
5	20462	121506
4	20385	102006
0	E1649	052104

THIRD ANGLE PROJECTION  
 DRAWN BY MCR 052104  
 ELECTRONIC APPROVAL SIGNATURES MAINTAINED BY MFG ECN LOG  
 UNLESS OTHERWISE NOTED DIMENSIONS ARE IN INCHES. TOLERANCES ARE:

TITLE		UNIVERSAL MAINTENANCE CHARGER (UMC) CONNECTION DIAGRAM: BB0443-00 (10-25ADC)	
DRAWING No		JE5040-25	
SCALE	NTS	PART No	JE5040-25
SHEET		1 OF 1	
REV		9	
B			