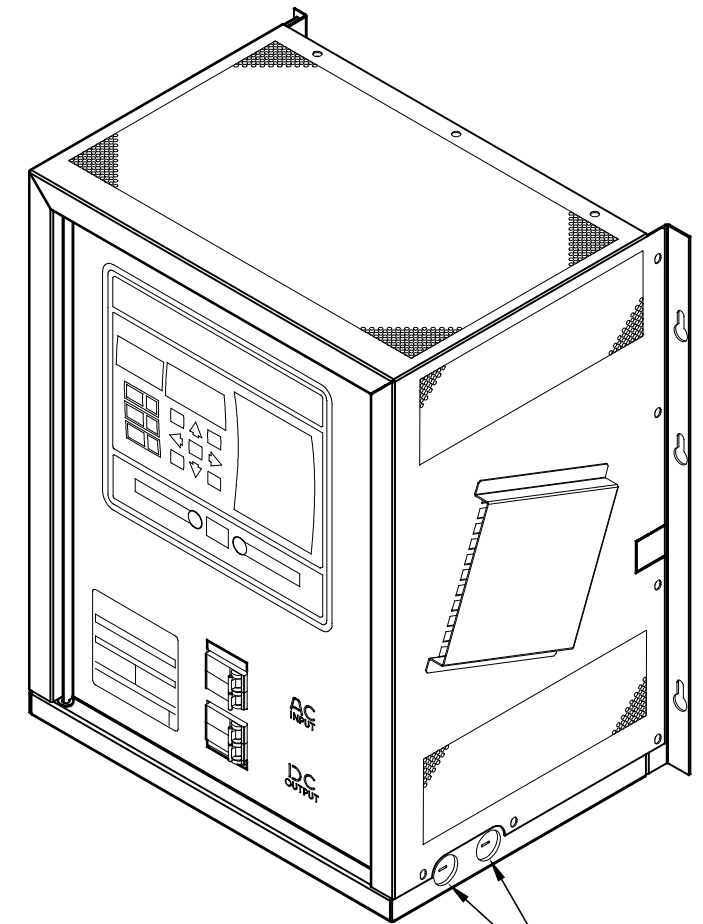
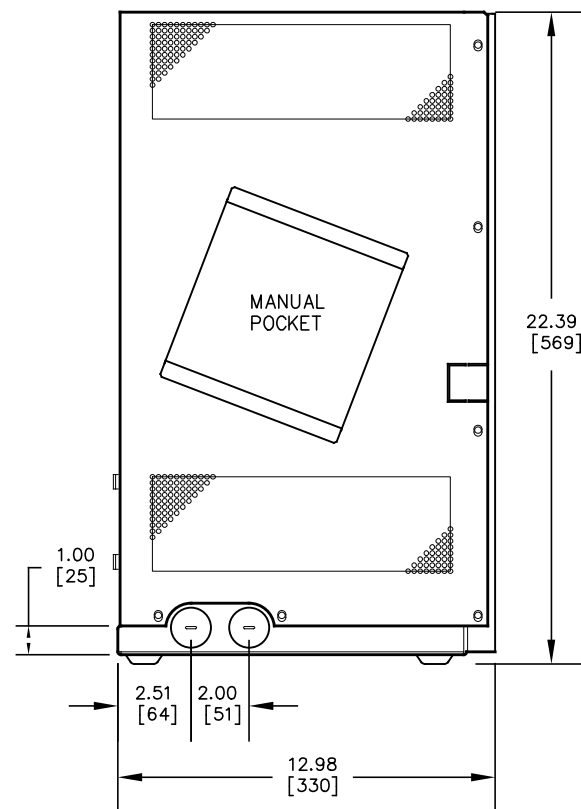
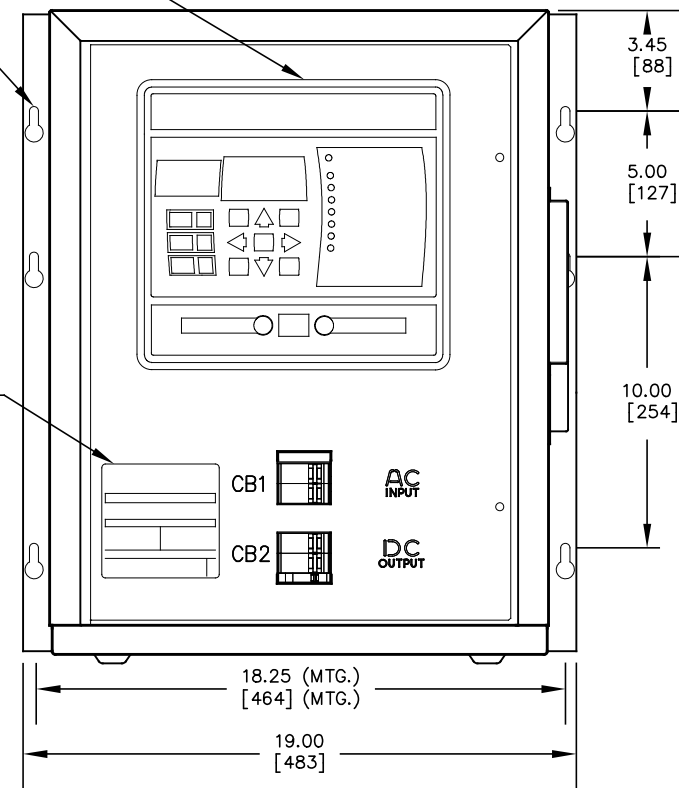


SEE DRAWING  
JE5253-01

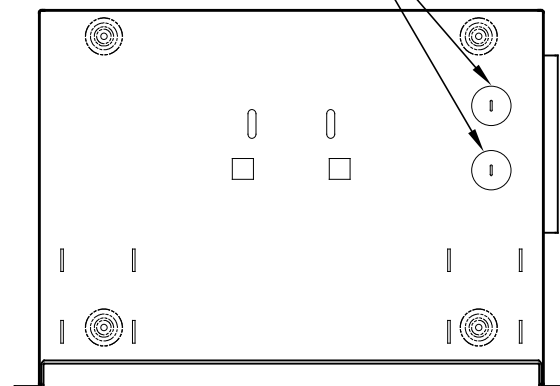
NOTE 3

NOTE 5



NOTE 4

NOTE 4



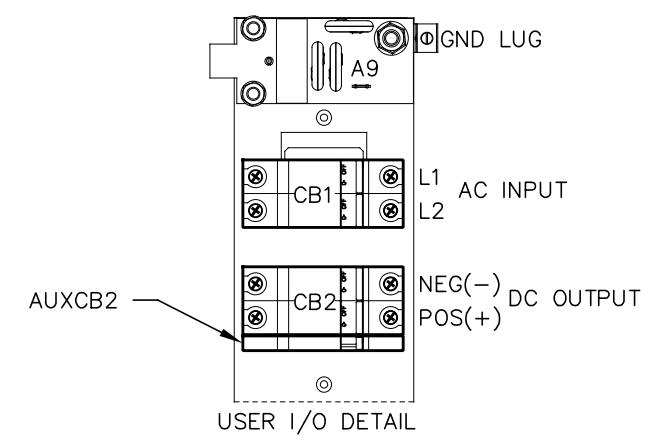
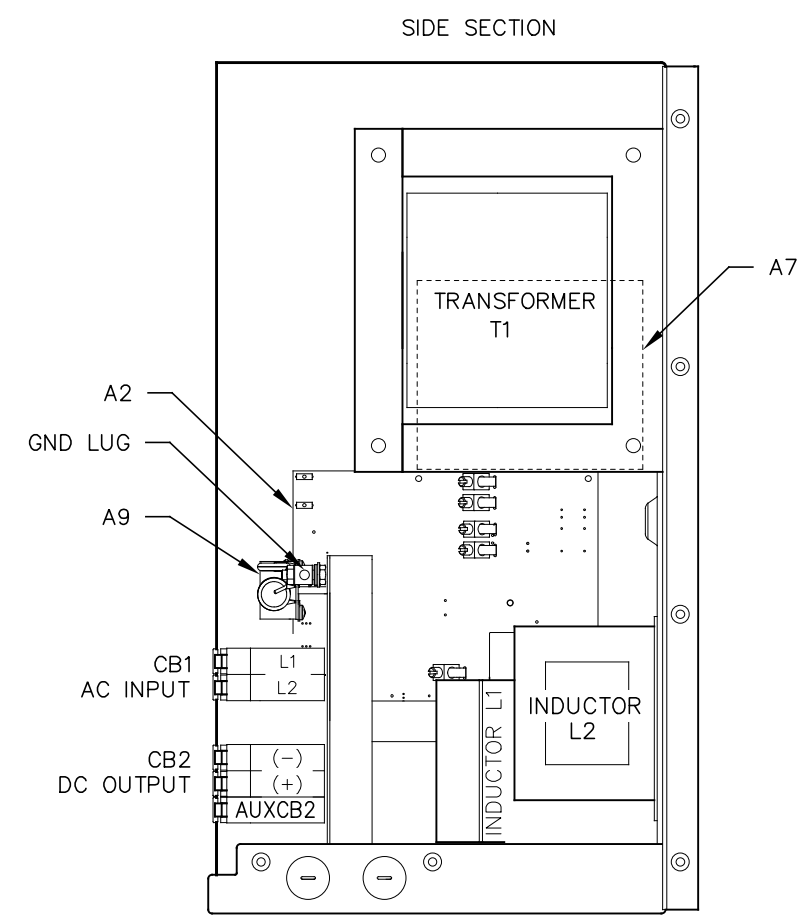
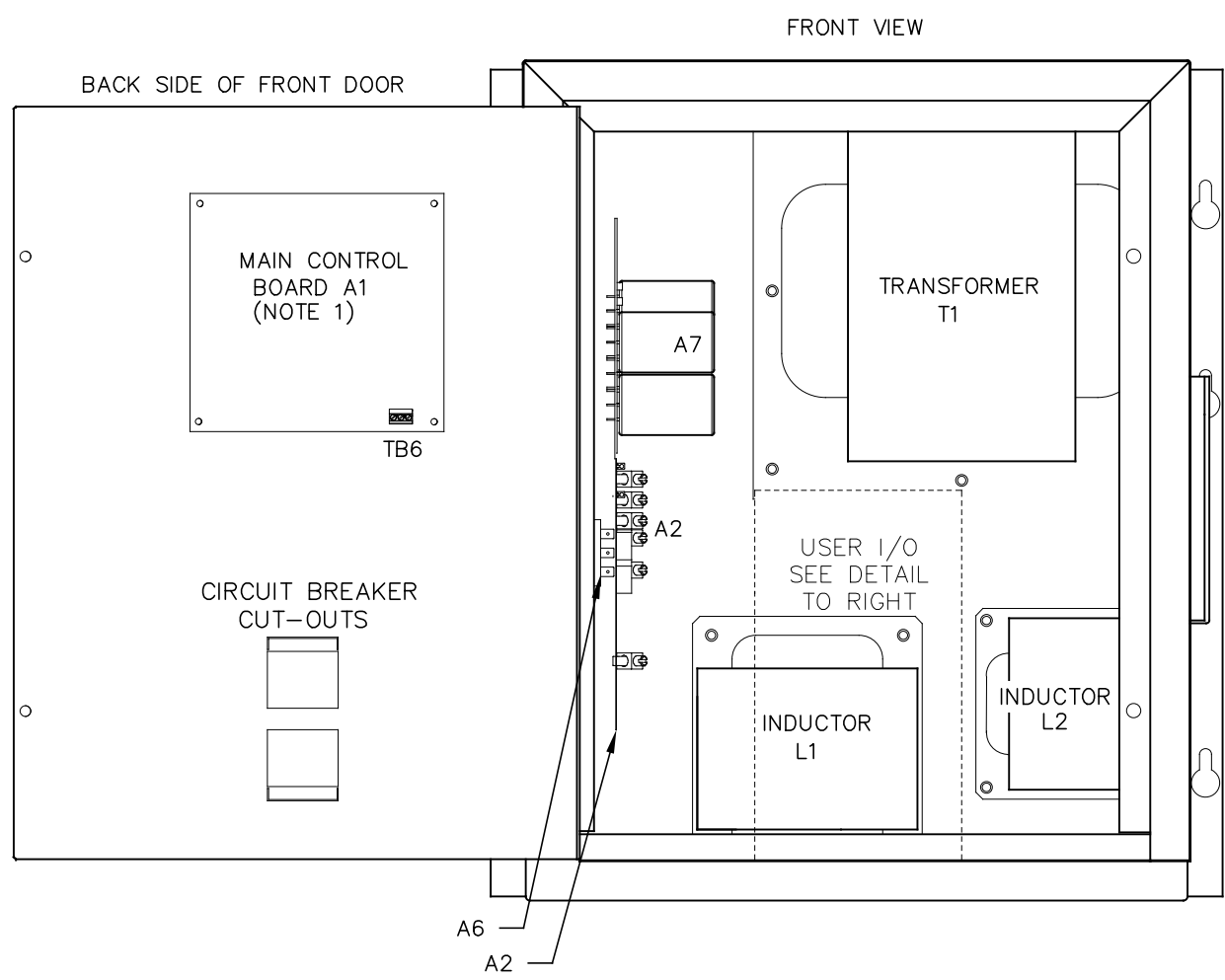
NOTES:

- ENCLOSURE IS A NEMA TYPE 1 / IP20 TOP-VENTED STEEL CABINET WITHOUT GASKETS. FINISH IS ANSI-61 GRAY EPOXY POWDERCOAT. BASE IS 14 GA. SHROUD IS 18 GA. DOOR IS 16 GA.
- ALLOW 6in / 152mm OF FREE AIR ON ALL VENTED SURFACES (TOP, SIDES & REAR) FOR COOLING.
- SIX (6) KEY-HOLE SLOTS ARE PROVIDED ON BACK OF ENCLOSURE AS SHOWN. FOR WALL-MOUNTING WITH 0.25in / 6.25mm HARDWARE.
- SIX (6) 1.31in / 33mm DIA KNOCKOUTS ARE PROVIDED AS SHOWN, WITH TWO (2) ADDITIONAL KNOCKOUTS FEATURED ON BOTTOM PANEL OF ENCLOSURE. USE OF ANY OF THESE FOUR (4) LOWER CONDUIT KNOCKOUTS WILL ALLOW REMOVAL OF CABINET SHROUD WITHOUT REMOVAL OF EXTERNAL WIRING.
- DATA NAMEPLATE DECAL (WITH CHARGER RATINGS) APPLIED TO DOOR.
- BATTERY CHARGER INSTALLATION WEIGHT: SEE PRODUCT LITERATURE.

DUAL DIMENSIONS <sup>in</sup>  
[mm]

REV	DRN BY	CHK BY	APP BY	DATE	DRN BY	DATE	TITLE ATEVO BATTERY CHARGER OUTLINE: NEMA-1 STYLE-5054 ENCL 1 φ W/O OPTIONS 6-25A	
1	KMW	MCR	MCR	02142024	KJB	12/1/2021		
DESCRIPTION Rev. 1 (02/2024)					CHK BY	DATE		
					MCR	12/1/2021		
					APP BY	DATE	NOTICE: UNCONTROLLED DOCUMENT CHANGES / DIGITAL SIGNATURES MAINTAINED BY MANUFACTURER	
					MCR	12/1/2021		
							SCALE B NTS	
					DWG No JE5251-01			
							REV	SHEET
							1	1 OF 1

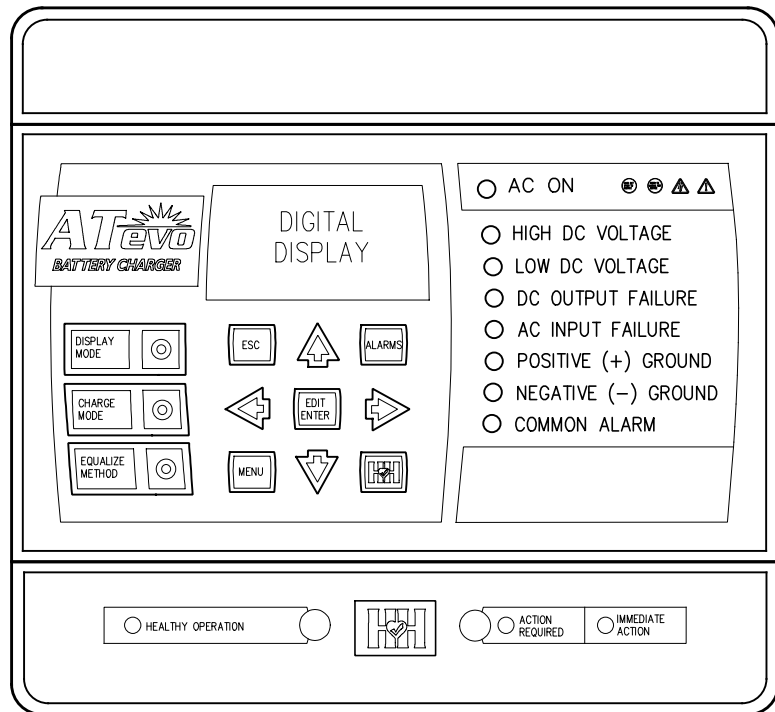
SYM	STANDARD COMPONENT DESCRIPTION
A1	MAIN CONTROL PCB
A6	RECTIFIER H/S ASSEMBLY
A2	POWER BOARD
A7	FILTER BOARD (C1x/R9x)
A9	MOV PCB
CB1	AC INPUT CIRCUIT BREAKER C60-K 2P
CB2	DC OUTPUT CIRCUIT BREAKER C60-K 2P
AUXCB2	DC CKT BKR (CB2) AUXILIARY CONTACTS
L1	MAIN INDUCTOR
L2	FILTER INDUCTOR
T1	POWER ISOLATION TRANSFORMER
TB6	COMMON ALARM RELAY (A1) CONTACTS



NOTES:  
 1. FOR DETAIL VIEWS OF ALL PC BOARDS (A1, A2, A4 etc.) SEE DRAWING JE5253-01.

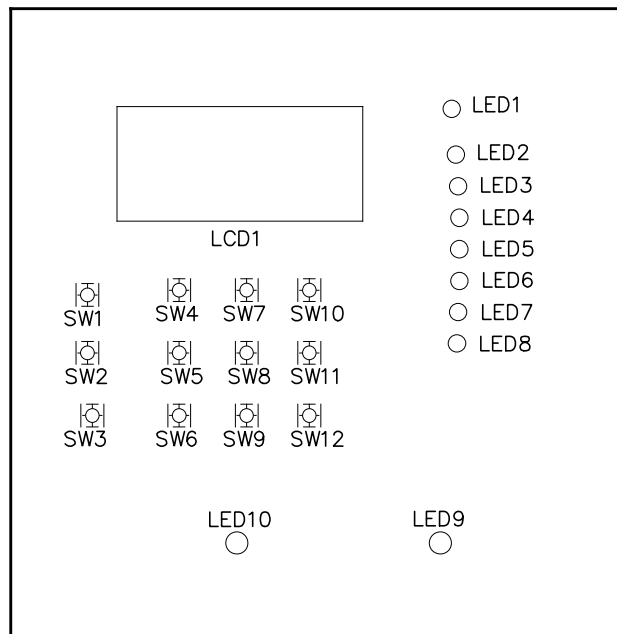
I/O TERMINAL	DESCRIPTION - TYPE	CONNECTION
CB2 (+/-)	POS/NEG DC OUTPUT TERMINALS - CKT BREAKER COMPRESSION LUG	#18-4 AWG
GND LUG	USER GROUND TERMINAL - CU-ALUMINUM COMPRESSION LUG	#14-6 AWG
CB1 (L1/L2)	AC INPUT TERMINALS - CKT BREAKER COMPRESSION LUG	#18-4 AWG
(NOTE 1) (A2) TB1	POS/NEG REMOTE SENSE TERMS (A2) - SOLDERLESS COMP SCREW	#22-14 AWG
(A2) TB8	TEMPCO PROBE (A10) TERM BLK - SOLDERLESS COMP SCREW	#22-14 AWG
(A1) TB6	SUMMARY ALARM TERMINAL BLOCK (A1) - SOLDERLESS COMP SCREW	#22-14 AWG

REV	DRN BY	CHK BY	APP BY	DATE	DRN BY	DATE	TITLE <b>ATEVO BATTERY CHARGER</b> <b>INTERNAL COMPONENT LAYOUT: STYLE-5054</b> <b>1 <math>\phi</math> W/O OPTIONS 6-25A</b>
1	KMW	MCR	MCR	02142024	KJB	12/1/2021	
DESCRIPTION				Rev. 1 (02/2024)	CHK BY	DATE	
				MCR	12/1/2021	APP BY	
				MCR	12/1/2021	DATE	NOTICE: UNCONTROLLED DOCUMENT CHANGES / DIGITAL SIGNATURES MAINTAINED BY MANUFACTURER
						SCALE	
				<b>B</b>		DWG No	<b>JE5252-01</b>
				1 NTS		REV	1
				1 OF 1		SHEET	1 OF 1

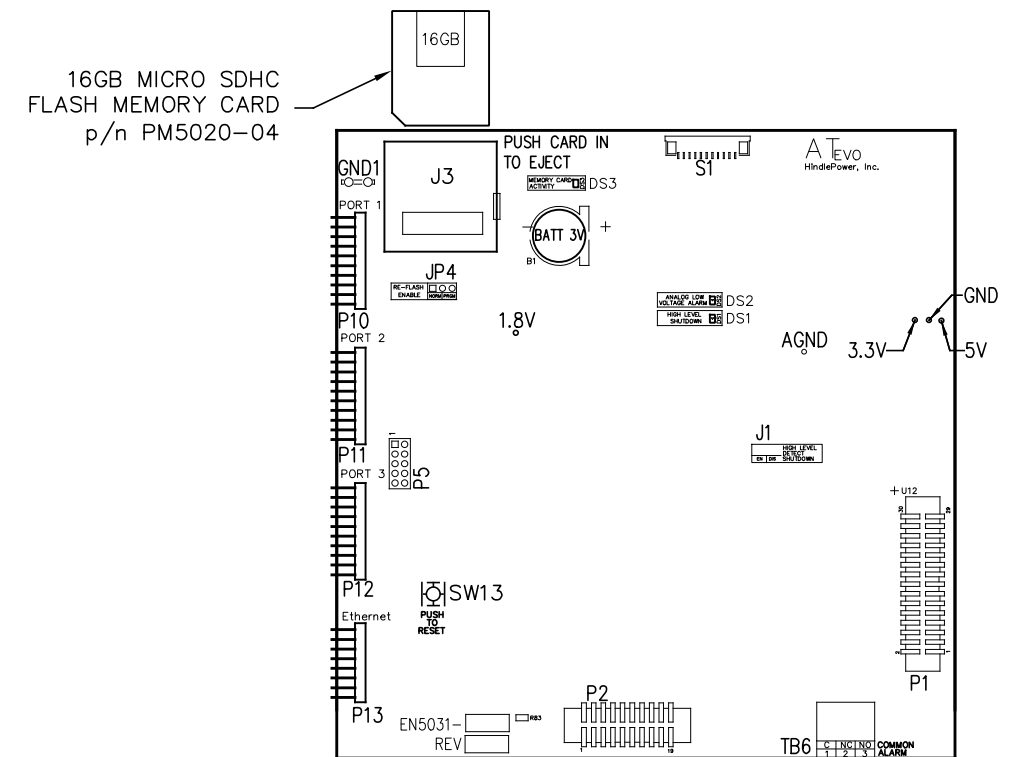


**CONTROL PANEL**  
(p/n FK5047-00)

NOTE: UNLESS OTHERWISE SPECIFIED, ALL USER ALARM TERMINAL BLOCKS ARE SOLDERLESS COMPRESSION SCREW TERMINALS, ACCEPTING #22-14 AWG WIRE. ALARM CONTACTS SHOWN IN NON-ALARM STATE, WITH CHARGER ENERGIZED AND RELAYS ENERGIZED (FAIL SAFE). ALL ALARM CONTACTS WILL CHANGE STATE WHEN ATEVO POWERED DOWN. CONTACT RATING IS 0.5A @ 125VAC/VDC RESISTIVE.



**MAIN CONTROL PC BOARD (A1)**  
FRONT VIEW – FACING CHARGER DOOR WHEN INSTALLED



**MAIN CONTROL PC BOARD (A1)**  
BACK VIEW – FACING CHARGER COMPONENTS WHEN INSTALLED

**MAIN CONTROL PC BOARD (A1)**

**INDICATOR LIGHTS (LEDs):**

- LED1 – GREEN – AC ON
- LED2 – RED – HIGH DC VOLTAGE ALARM
- LED3 – RED – LOW DC VOLTAGE ALARM
- LED4 – RED – DC OUTPUT FAILURE ALARM
- LED5 – RED – AC INPUT FAILURE ALARM
- LED6 – RED – POSITIVE (+) GROUND ALARM
- LED7 – RED – NEGATIVE (-) GROUND ALARM
- LED8 – RED – COMMON ALARM
- LED9 – RED – ACTION REQUIRED ALARM
- LED10 – GREEN – HEALTHY OPERATION
- DS1 – RED – HIGH LEVEL SHUTDOWN (HLD)
- DS2 – RED – ANALOG LOW VOLTAGE ALARM (LLD)
- DS3 – RED – MEMORY CARD ACTIVITY

**JUMPERS:**

- J1 – ANALOG HIGH VOLTAGE SHUTDOWN JUMPER
  - J3 – SD CARD PORT
  - JP4 – RE-FLASH (FIELD PROGRAMMING) JUMPER
- TERMINAL BLOCKS:**
- TB6 – COMMON ALARM RELAY CONTACTS
- TEST POINTS:**
- 1.8V – 1.8 VOLTS
  - 3.3V – 3.3 VOLTS
  - 5V – 5.0 VOLTS
  - GND – GROUND
  - AGND – ANALOG GROUND
  - SDA – MAIN BOARD 12C DATA
  - SCL – MAIN BOARD 12C CLOCK

**SWITCHES:**

- SW1 – DISPLAY BUTTON
- SW2 – CHARGE MODE BUTTON
- SW3 – EQUALIZE METHOD BUTTON
- SW4 – ESCAPE (ESC) BUTTON
- SW5 – LEFT ARROW BUTTON
- SW6 – MENU BUTTON
- SW7 – UP ARROW BUTTON
- SW8 – EDIT / ENTER BUTTON
- SW9 – DOWN ARROW BUTTON
- SW10 – ALARM BUTTON
- SW11 – HINDLE HEALTH (HHS) BUTTON
- SW12 – HINDLE HEALTH (HHS) BUTTON
- SW13 – SYSTEM RESET BUTTON (BACK OF BOARD)

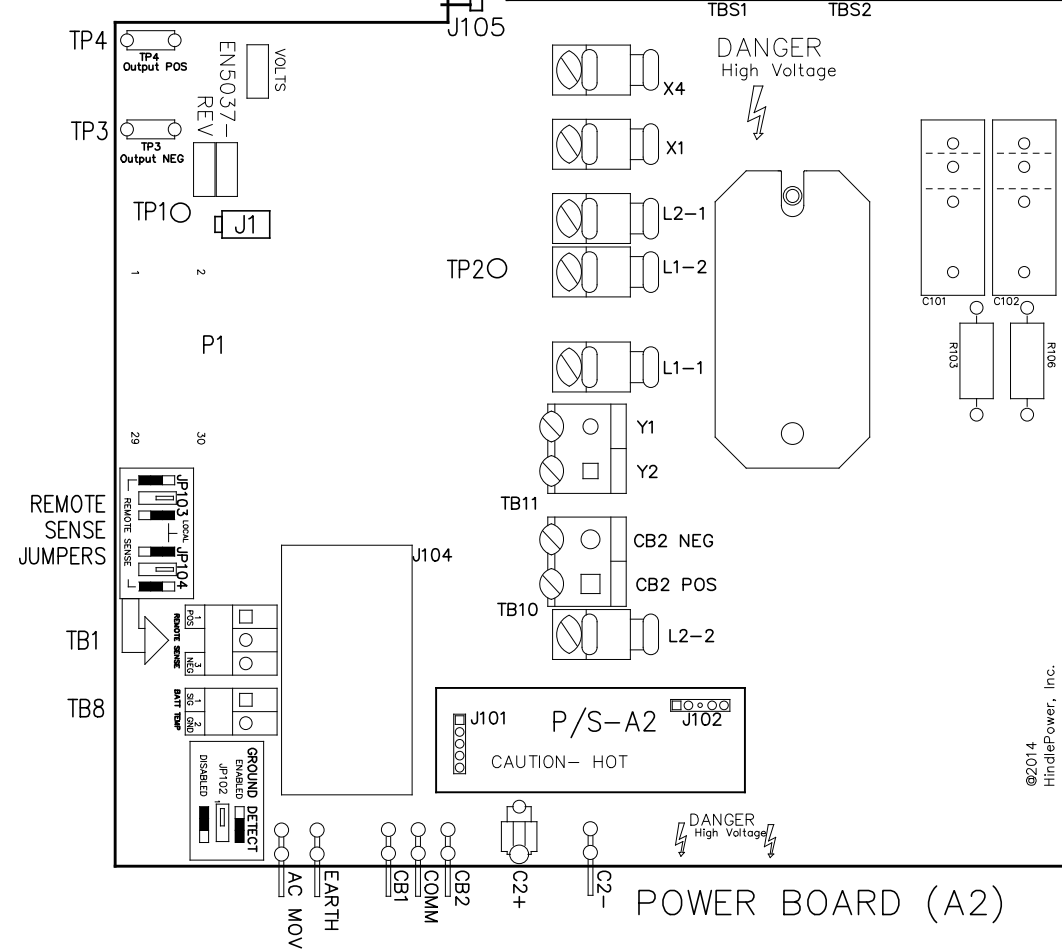
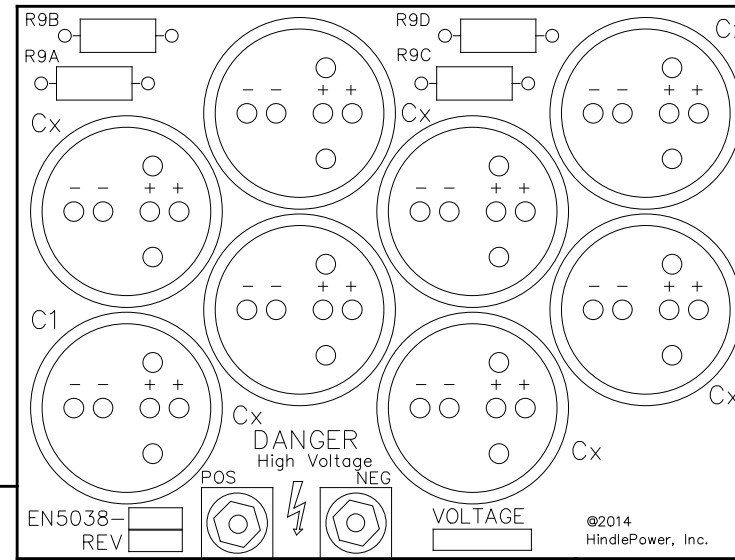
**CONNECTORS:**

- P1 – POWER BOARD RIBBON
- P2 – 3 PHASE RECTIFIER RIBBON
- P3 – USB EXPANSION PORT
- P4 – SPI & I2C EXPANSION PORT #1
- P5 – SPI & I2C EXPANSION PORT #2
- P6 – DISPLAY SPI PORT
- P7 – DISPLAY JTAG PORTS
- P10 – SERIAL INTERFACE PORT #1
- P11 – SERIAL INTERFACE PORT #2
- P12 – SERIAL INTERFACE PORT #3
- P13 – ETHERNET INTERFACE PORT
- P17 – GENERAL EXPANSION PORT

I/O TERMINAL	DESCRIPTION – TYPE	CONNECTION
(A1) TB6	COMMON ALARM TERMINAL BLOCK (A1) – SOLDERLESS COMP SCREW	#22-14 AWG

REV	DRN BY	CHK BY	APP BY	DATE	DRN BY	DATE	TITLE <b>ATEVO BATTERY CHARGER          CONTROL PANEL / PC BOARD DETAIL          1 φ W/O OPTIONS 6-25A</b>
1	KMW	MCR	MCR	02142024	KJB	12/1/2021	
DESCRIPTION Rev. 1 (02/2024)					CHK BY	DATE	
					MCR	12/1/2021	
					APP BY	DATE	NOTICE: UNCONTROLLED DOCUMENT CHANGES / DIGITAL SIGNATURES MAINTAINED BY MANUFACTURER
					MCR	12/1/2021	
						<b>B</b> SCALE NTS	DWG No <b>JE5253-01</b>
						REV	SHEET
						1	1 OF 2

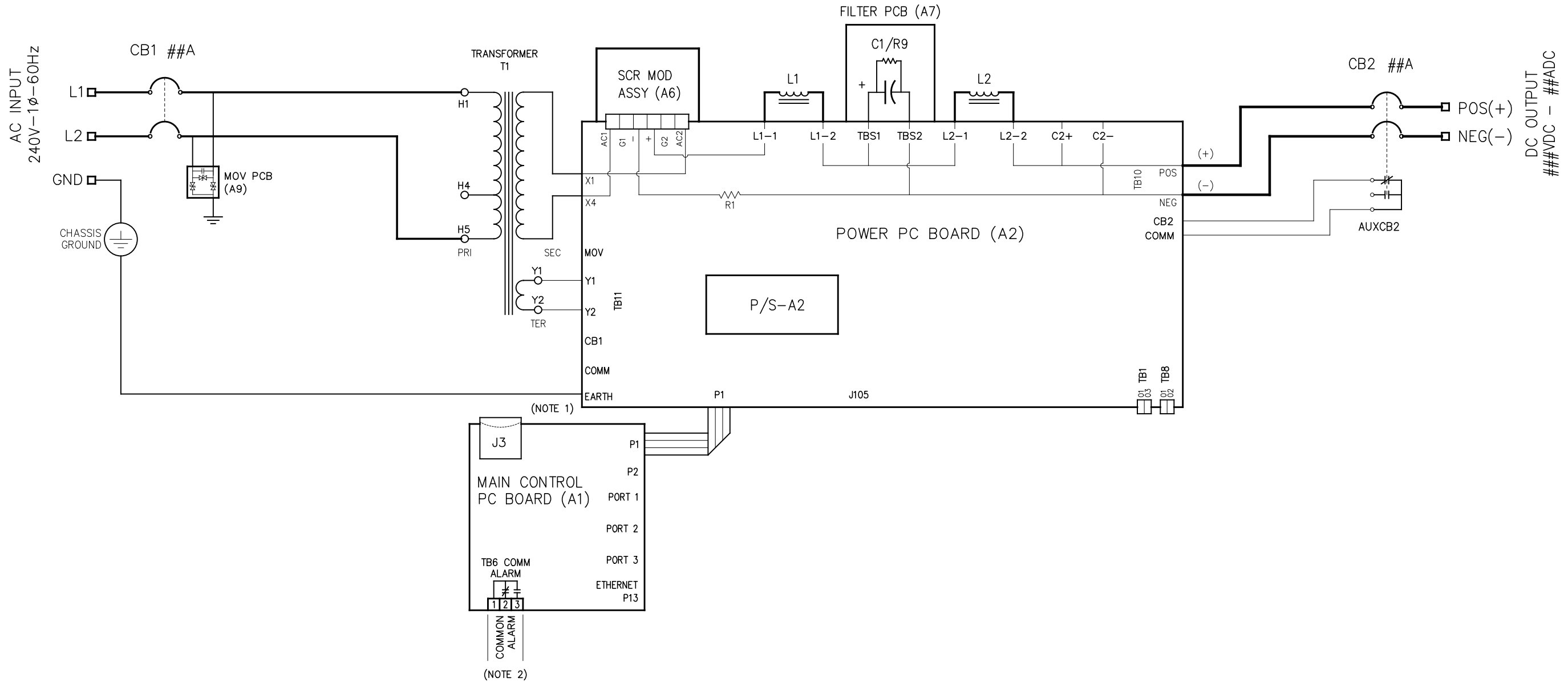
FILTER BOARD (A7)



- USER TERMINALS ON POWER BOARD (A2):  
 TB1 - REMOTE VOLTAGE SENSE  
 TB8 - BATTERY TEMPERATURE COMPENSATION
- JUMPERS ON POWER BOARD (A2):  
 JP102 - GROUND DETECT CIRCUIT ENABLE / DISABLE  
 JP103 - REMOTE OR LOCAL SENSE SELECTOR (+)  
 JP104 - REMOTE OR LOCAL SENSE SELECTOR (-)
- CONNECTORS ON POWER BOARD (A2):  
 J1 - POWER OUT  
 J101 - DC POWER SUPPLY  
 J102 - DC POWER SUPPLY  
 J105 - AUXILIARY I/O BOARD  
 P1 - MAIN CONTROL BOARD RIBBON
- DISCRETE TERMINALS:  
 AC MOV - CHASSIS EARTH GROUND  
 EARTH - CHASSIS EARTH GROUND (DOOR)  
 CB1 - AC BREAKER AUX SWITCH CONTACT  
 CB2 - DC BREAKER AUX SWITCH CONTACT  
 COMM - BREAKER AUX SWITCH COMMON  
 C2+ - ELIMINATOR FILTER CAPACITOR (+)  
 C2- - ELIMINATOR FILTER CAPACITOR (-)  
 X1 - TRANSFORMER SECONDARY WINDING  
 X4 - TRANSFORMER SECONDARY WINDING  
 L1-1 - FILTER INDUCTOR #1 (TERMINAL #1)  
 L1-2 - FILTER INDUCTOR #1 (TERMINAL #2)  
 L2-1 - FILTER INDUCTOR #2 (TERMINAL #1)  
 L2-2 - FILTER INDUCTOR #2 (TERMINAL #2)  
 TB10 - CB2 DC BREAKER  
 TB11 - 'Y' CONTROL WINDINGS  
 TBS1 - FILTER CAPACITOR BOARD (+)  
 TBS2 - FILTER CAPACITOR BOARD (-)
- TEST POINTS ON POWER BOARD (A2):  
 TP1 - PRE-FILTERED DC BUS (-)  
 TP2 - PRE-FILTERED DC BUS (+)  
 TP3 - DC BUS (-)  
 TP4 - DC BUS (+)

I/O TERMINAL	DESCRIPTION - TYPE	CONNECTION
(A2) TB1	POS/NEG REMOTE SENSE TERMS (A2) - SOLDERLESS COMP SCREW	#22-14 AWG
(A2) TB8	TEMPCO PROBE (A10) TERM BLK - SOLDERLESS COMP SCREW	#22-14 AWG

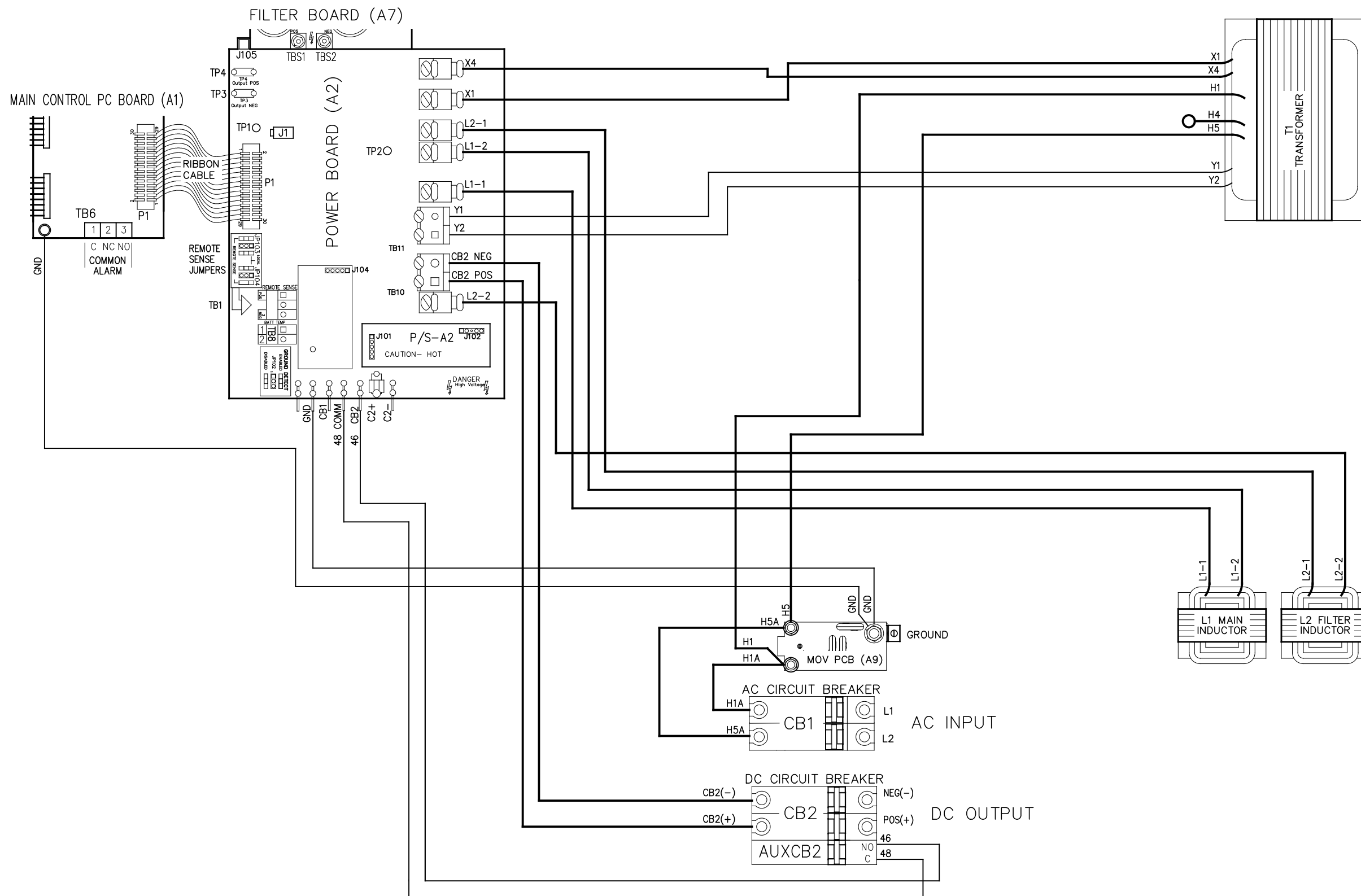
TITLE			
ATEVO BATTERY CHARGER CONTROL PANEL / PC BOARD DETAIL 1 φ W/O OPTIONS 6-25A			
<b>B</b>	SCALE	DWG No	REV
	NTS	JE5253-01	1
			SHEET
			2 OF 2



NOTES:

1. FOR PHYSICAL COMPONENT FEATURES OF PC BOARDS (A1, A2, A4, A7, etc.) SEE DETAIL DRAWING JE5253-01.
2. ALL ALARM CONTACTS SHOWN IN NON-ALARM STATE, WITH CHARGER AND RELAYS ENERGIZED (FAIL SAFE). CONTACTS WILL CHANGE STATE WHEN ATEVO POWERED DOWN.  
 . CONTACT RATING: 0.5A @ 125VAC/VDC RESISTIVE

REV	DRN BY	CHK BY	APP BY	DATE	DRN BY	DATE	TITLE ATEVO BATTERY CHARGER SCHEMATIC: STYLE-5054 1 φ W/O OPTIONS 6-25A		
1	KMW	MCR	MCR	02142024	KJB	12/1/2021			
DESCRIPTION Rev. 1 (02/2024)					CHK BY	DATE			
					MCR	12/1/2021			
					APP BY	DATE	NOTICE: UNCONTROLLED DOCUMENT CHANGES / DIGITAL SIGNATURES MAINTAINED BY MANUFACTURER		
					MCR	12/1/2021			
					SCALE	DWG No	REV	SHEET	
					B	NTS	JE5254-01	1	1 OF 1



NOTES:

1. WHEN NATURAL LEADS OF MAGNETICS ARE NOT USED, CHARGER COMPONENTS ARE CONNECTED WITH BLACK FLAME-RETARDANT SWITCHBOARD INSULATION SYSTEM (SIS) TYPE WIRING, IDENTIFIED ON EACH END WITH NUMBER-CODED MARKERS. GROUND WIRES ARE GREEN WITH YELLOW STRIPE.

REV	DRN BY	CHK BY	APP BY	DATE	DRN BY	DATE	TITLE			
1	KMW	MCR	MCR	02142024	KJB	12/1/2021				
DESCRIPTION					CHK BY	DATE				
Rev. 1 (02/2024)					MCR	12/1/2021				
					APP BY	DATE	ATEVO BATTERY CHARGER CONNECTION DIAGRAM: STYLE-5054 1 φ W/O OPTIONS 6-25A			
					MCR	12/1/2021				
					NOTICE: UNCONTROLLED DOCUMENT CHANGES / DIGITAL SIGNATURES MAINTAINED BY MANUFACTURER					
							SCALE	DWG No	REV	SHEET
					B		NTS	JE5255-01	1	1 OF 1