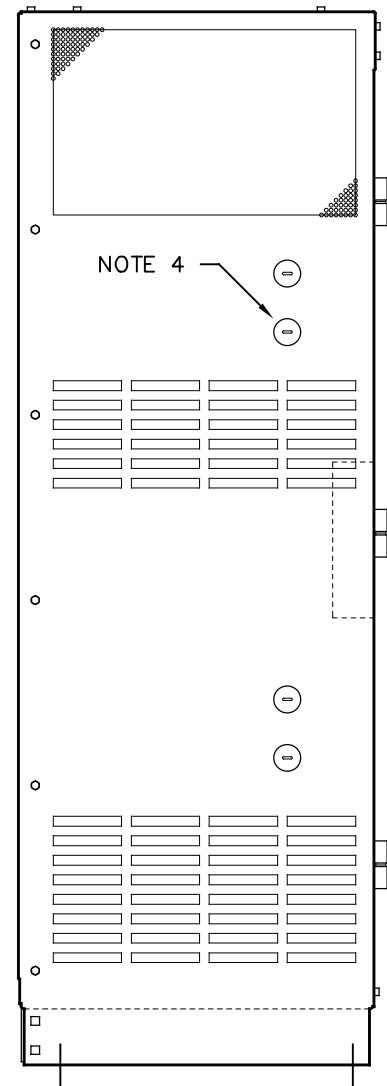
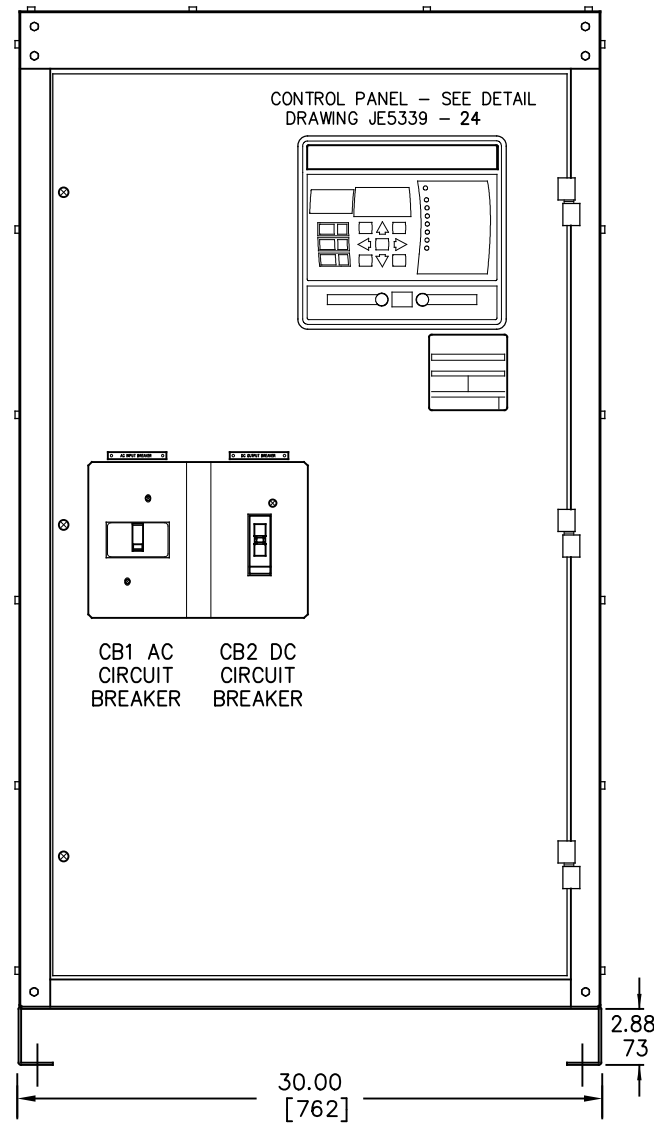


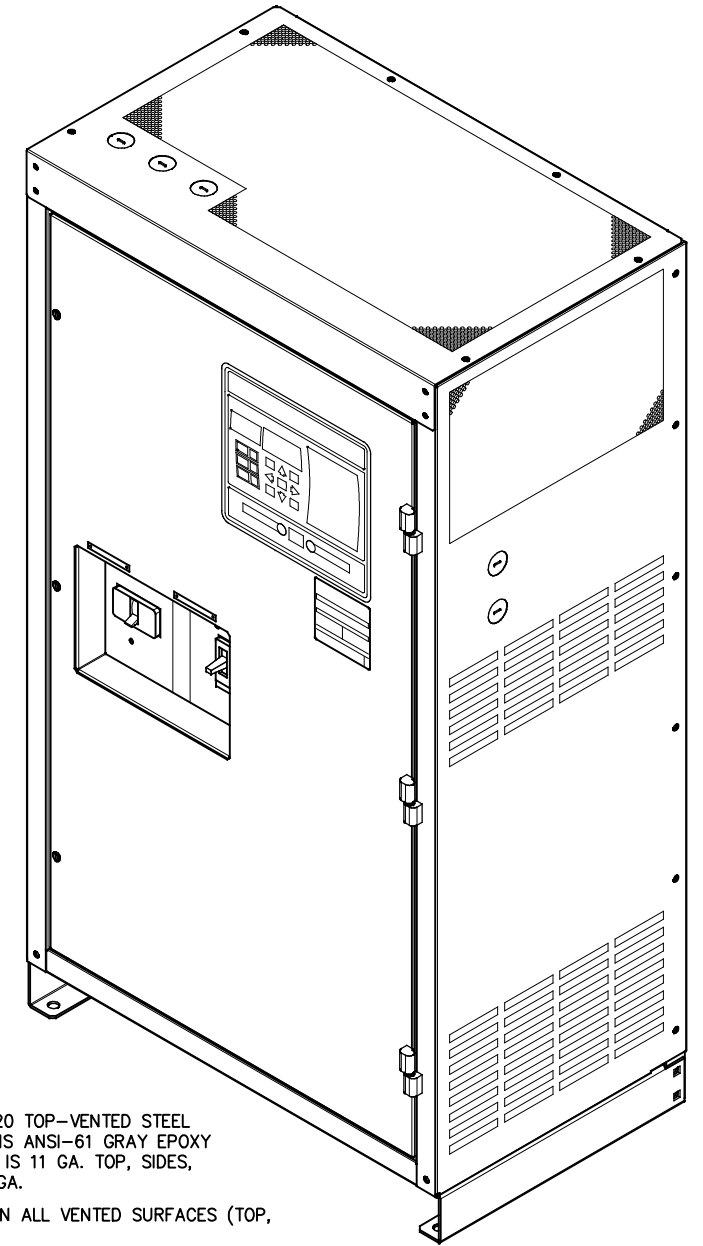
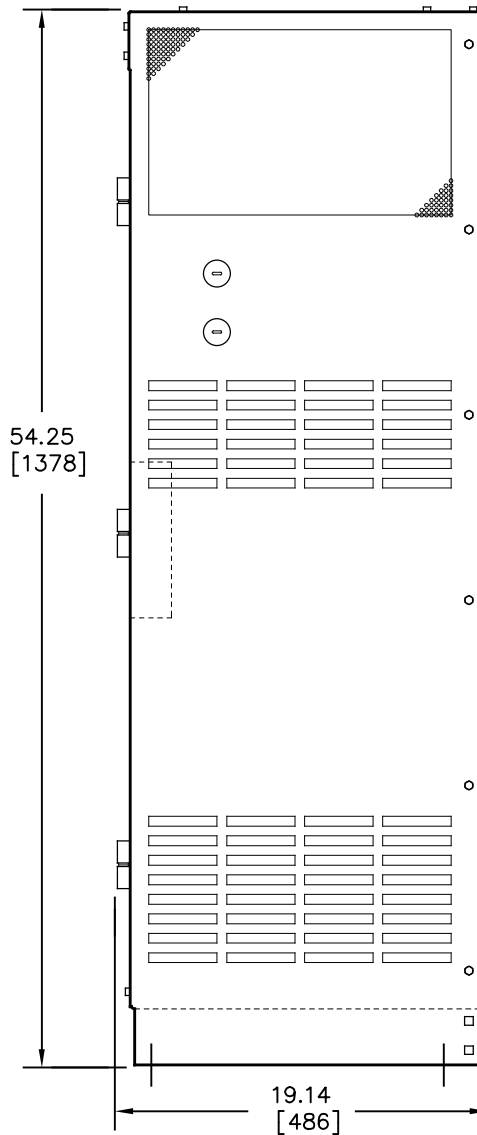
SIDE VIEW



FRONT VIEW

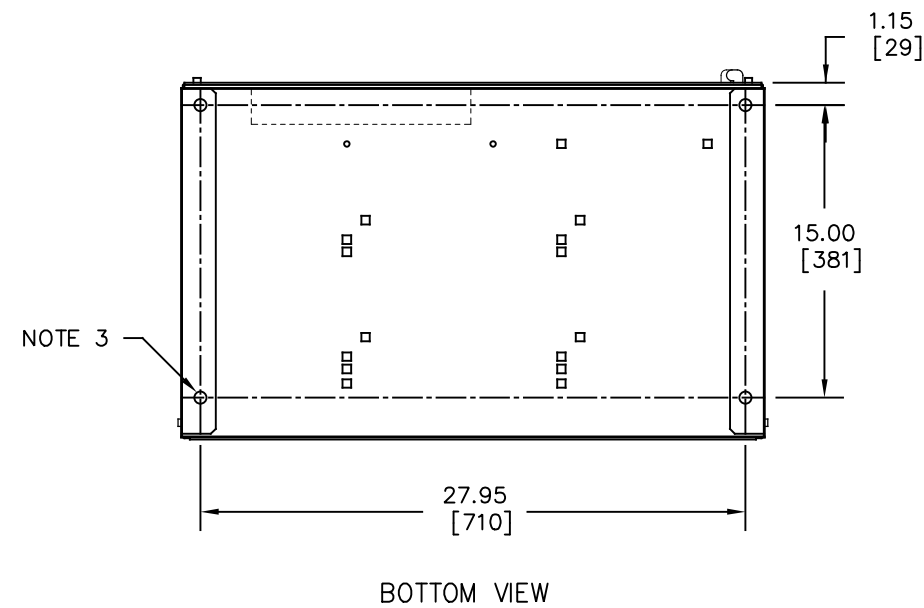


SIDE VIEW



NOTES:

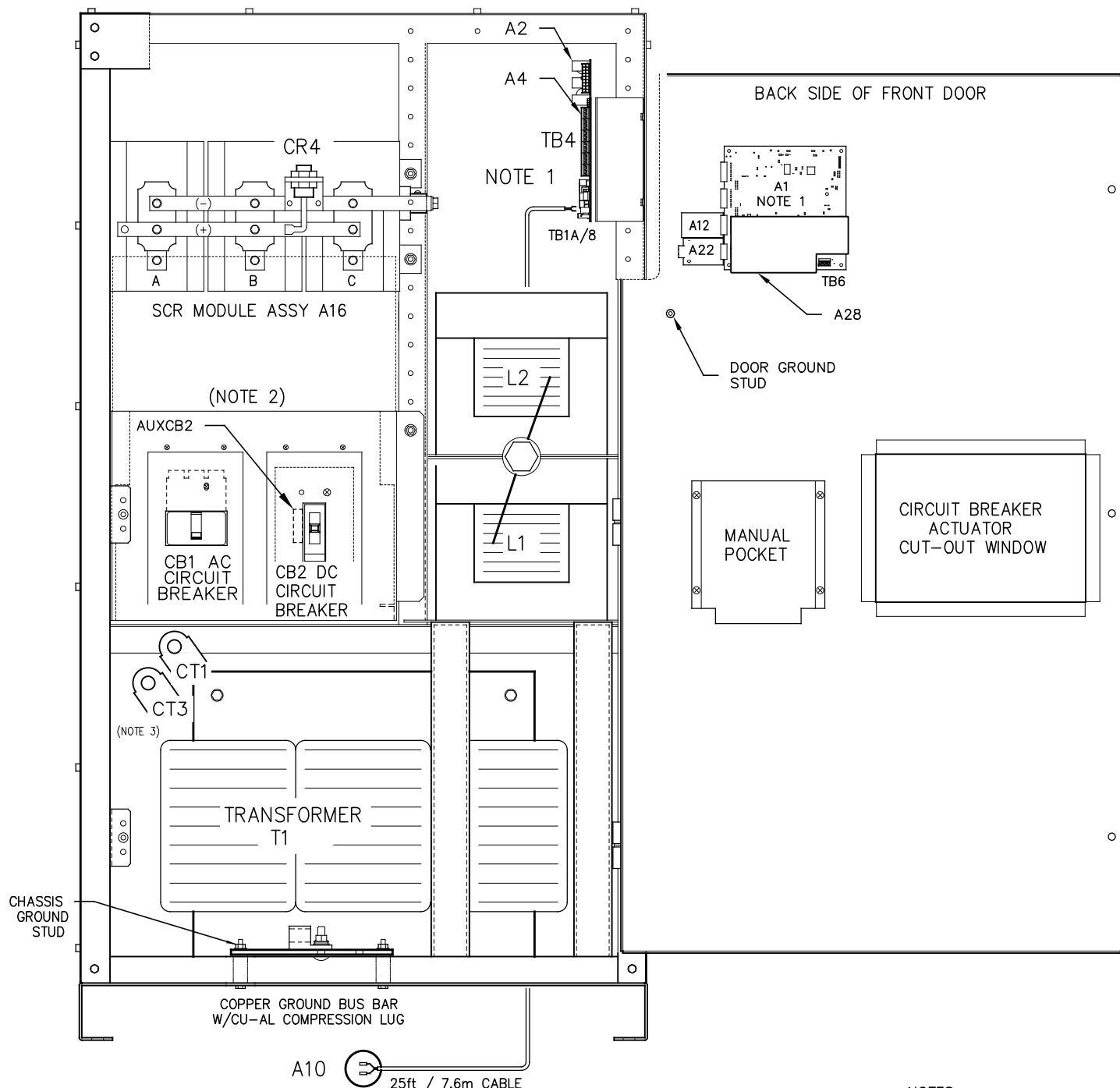
- ENCLOSURE IS A NEMA TYPE 1 / IP20 TOP-VENTED STEEL CABINET WITHOUT GASKETS. FINISH IS ANSI-61 GRAY EPOXY POWDERCOAT. BASE IS 7 GA. FRAME IS 11 GA. TOP, SIDES, AND BACK ARE 16 GA. DOOR IS 14 GA.
- ALLOW 6in / 152mm OF FREE AIR ON ALL VENTED SURFACES (TOP, SIDES & REAR) FOR COOLING.
- FOUR (4) 0.625in / 16mm FLOOR-MOUNTING HOLES ARE PROVIDED ON BOTTOM OF ENCLOSURE AS SHOWN.
- NINE (9) 1.31in / 33mm DIA STANDARD PRE-FAB KEY-SLOT KNOCKOUTS ARE PROVIDED AS SHOWN FOR 1in / 25mm CONDUIT ENTRY. IF ADDITIONAL CONDUIT ENTRANCES ARE REQUIRED, ENCLOSURE SHOULD BE FIELD-MODIFIED BY INSTALLER.
- BATTERY CHARGER SHIPPING WEIGHT: APPROXIMATELY TBD lbs / TBD kg



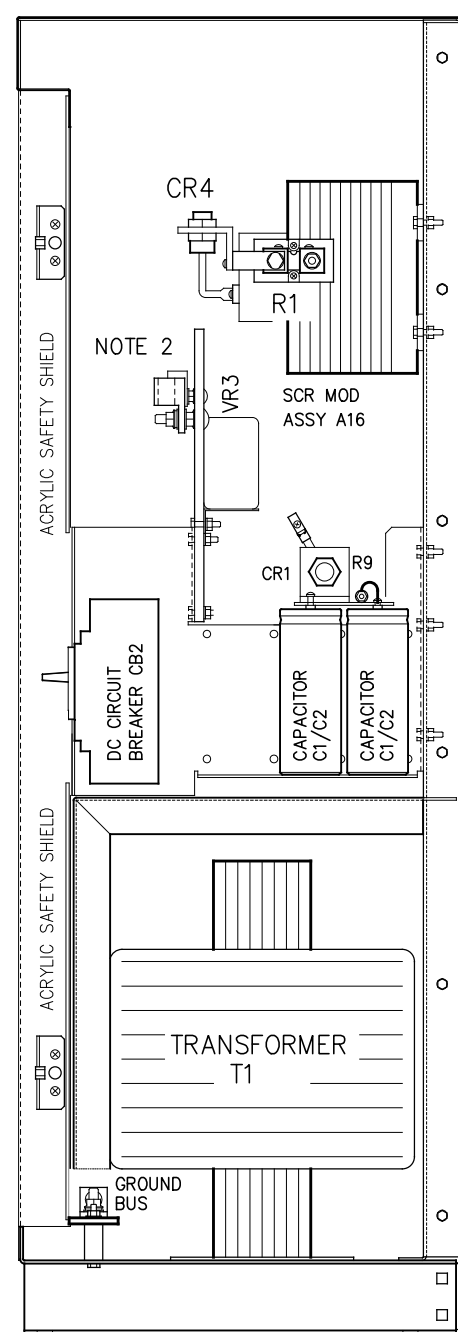
DUAL DIMENSIONS in mm

REV. 0	DRN BY KJB	CHK BY MCR	APP BY MCR	DATE 10/26/2021	DRN BY KJB	DATE 10/26/2021	TITLE ATEVO 3PH BATTERY CHARGER OUTLINE: NEMA-1 STYLE-5030 ENCL 3Ø WITH COMMON OPTIONS 125-300A
DESCRIPTION STANDARD DRAWINGS.					CHK BY MCR	DATE 10/26/2021	
ECN NO. N/A					CHK BY MCR	DATE 10/26/2021	
					TITLE		
SCALE DWG No NTS JE5337-24							REV SHEET 0 1 OF 1

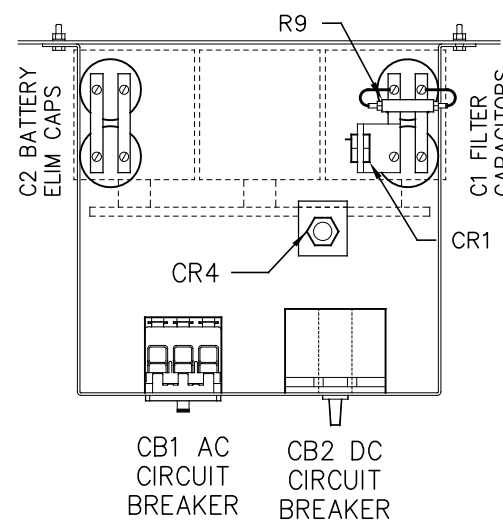
FRONT VIEW



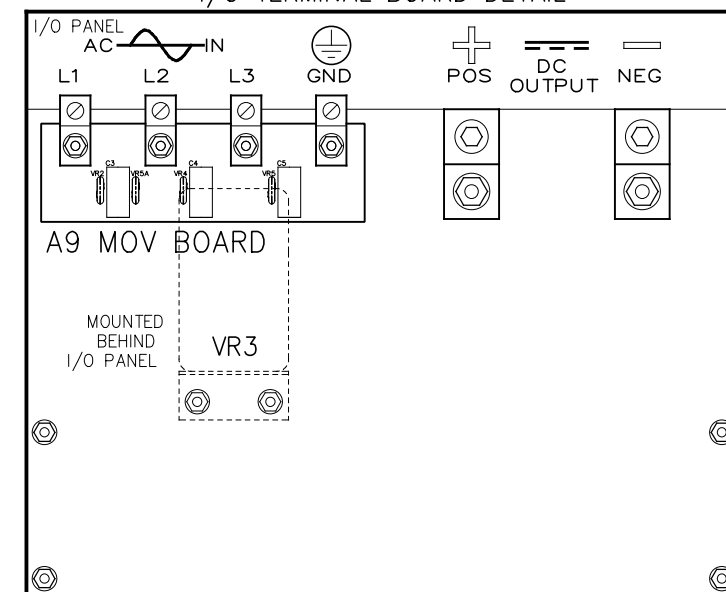
SIDE SECTION



TOP VIEW OF CIRCUIT BREAKER MOUNTING BRACKET



I/O TERMINAL BOARD DETAIL



SYM STANDARD COMPONENT DESCRIPTION	
A1	MAIN CONTROL PC BOARD
A2	THREE PHASE POWER BOARD
A9	MOV PC BOARD
A16	6-PULSE SCR MODULE HEATSINK ASSY
C1x	DC OUTPUT FILTER CAPACITOR
CB1	AC INPUT CIRCUIT BREAKER (Bx3)
CB2	DC OUTPUT CIRCUIT BREAKER (B&2)
AUXCB2	DC CKT BKR (CB2) AUXILIARY CONTACTS
CR1	POLARITY DIODE
CR4	FREE-WHEELING DIODE
L1	MAIN INDUCTOR
L2	FILTER INDUCTOR
R1	MAIN DC SHUNT, NEG(-) BUS
R9	FILTER CAP (C1) BLEED RESISTOR
T1	POWER ISOLATION TRANSFORMER
TB1A	REMOTE SENSE (A2)
TB6	SUMMARY ALARM CONTACTS
TB8	TEMPCO PROBE TERMINAL BLOCK

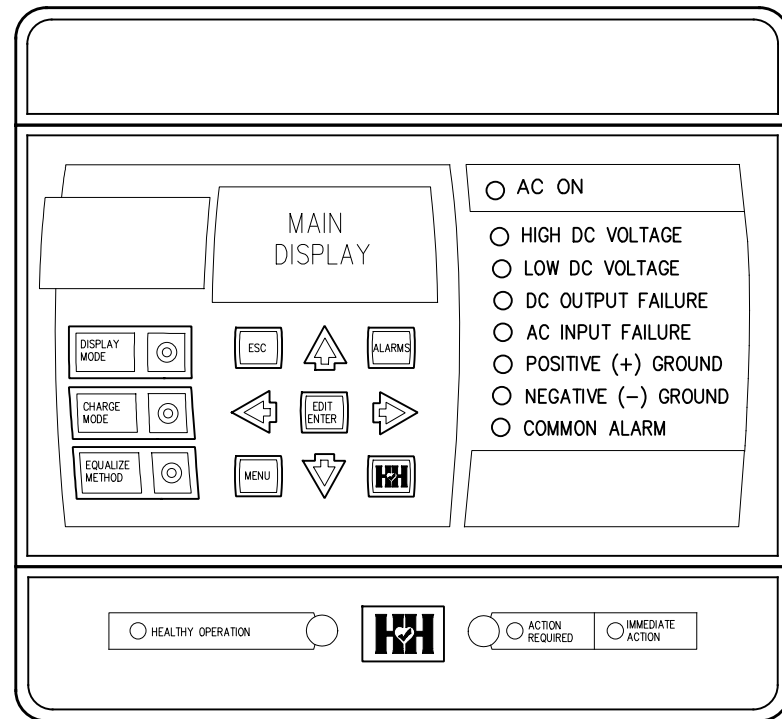
SYM FEATURED OPTION COMP DESCRIPTION	
A4	AUXILIARY I/O PC BOARD
A10	TEMPERATURE COMPENSATION PROBE
A12	SERIAL COMMUNICATION ADAPTER
A22	ETHERNET ADAPTER BOARD
A28	METER MODULE PC BOARD
C2	BATTERY ELIMINATOR CAPACITOR
CT#	AC LINE CURRENT XFMR (AFFIXED TO WIRE)
TB4	AUX ALARM PCB (A4) TERM BLOCK
VR3	AC INPUT LIGHTNING ARRESTOR

- NOTES:
- FOR DETAIL VIEWS OF ALL PC BOARDS (A1, A2, A4, A12, A22, etc.) SEE DRAWING JE5339-24
 - I/O PANEL TERMINAL BOARD NOT SHOWN FOR CLARITY OF VIEW. SEE DETAIL TO RIGHT.
 - CURRENT TRANSFORMER AFFIXED TO LINE 1 AND LINE 3 BETWEEN AC INPUT BREAKER (CB1) AND POWER ISOLATION TRANSFORMER (T1). (SEE JA5124-03).

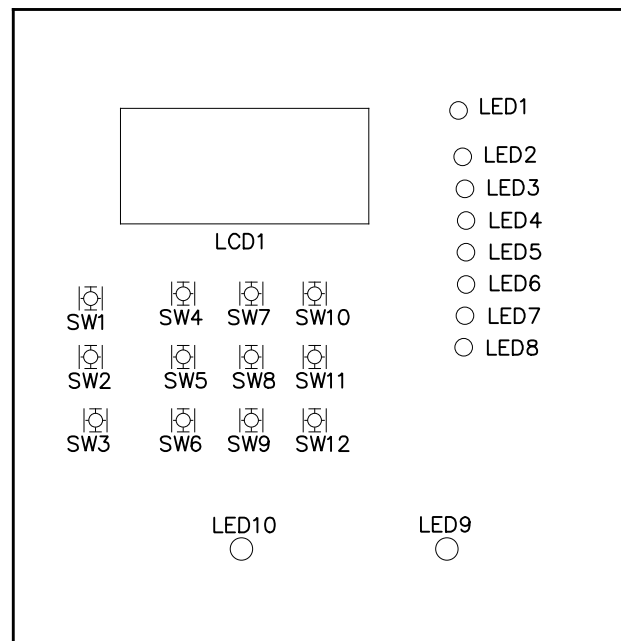
I/O TERMINAL	DESCRIPTION - TYPE	CONNECTION
I/O(+/-)	POS/NEG DC OUTPUT TERMS - CU-ALUMINUM COMPRESSION LUG	#6 AWG-350 MCM
(2) I/O-GND	USER GROUND TERMINAL - CU-ALUMINUM COMPRESSION LUG	#14 AWG-350 MCM
I/O-L1/L2/L3	AC INPUT TERMINALS - CU-ALUMINUM COMPRESSION LUG	#14-1/0 AWG
(A1) TB6	SUMMARY ALARM TERMINAL BLOCK (A1) - SOLDERLESS COMPRESSION SCREW	#22-14 AWG
(A2) TB1	POS/NEG REMOTE SENSE TERMS (A2) - SOLDERLESS COMPRESSION SCREW	#22-14 AWG
(A2) TB8	TEMPCO PROBE (A10) TERM BLK - SOLDERLESS COMPRESSION SCREW	#22-14 AWG
(A4) TB4	AUX I/O RELAY CONTACTS (A4) - SOLDERLESS COMPRESSION SCREW	#22-14 AWG

REV. 0	DRN BY KJB	CHK BY MCR	APP BY MCR	DATE 10/26/2021	DRN BY KJB	DATE 10/26/2021
DESCRIPTION STANDARD DRAWINGS.					CHK BY MCR	DATE 10/26/2021
ECN NO. N/A					CHK BY MCR	DATE 10/26/2021

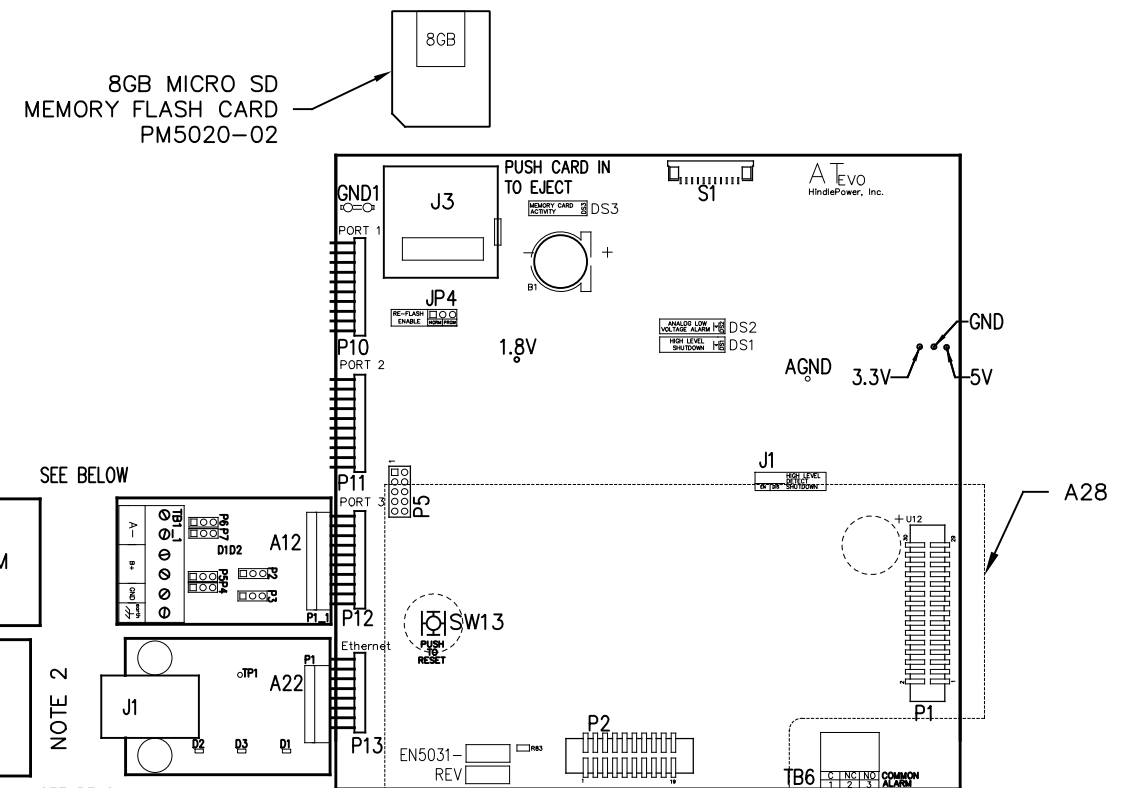
TITLE		ATEVO 3PH BATTERY CHARGER INTERNAL COMPONENT LAYOUT: STYLE-5030 3Ø WITH COMMON OPTIONS 125-300A	
B	SCALE NTS	DWG No JE5338-24	REV 0A SHEET 1 OF 1



CONTROL PANEL
(PART No. FK5047-00)



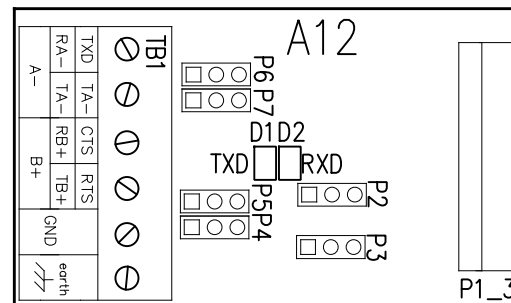
MAIN CONTROL PC BOARD (A1)
FRONT VIEW - FACING CHARGER DOOR WHEN INSTALLED



MAIN CONTROL PC BOARD (A1)
BACK VIEW - FACING CHARGER COMPONENTS WHEN INSTALLED

NOTE: ALL ALARM CONTACTS ARE ENERGIZED WHEN IN THE NON-ALARM STATE (FAIL SAFE). ALL ALARM CONTACTS WILL CHANGE STATE WHEN CHARGER IS POWERED DOWN. CONTACT RATING IS 0.5A @ 125VAC/VDC RESISTIVE.

SERIAL COMMUNICATION ADAPTER (A12)



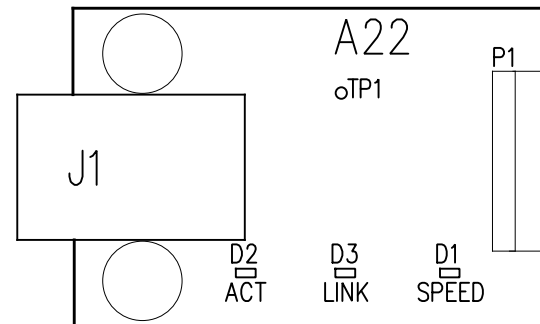
CONNECTORS (A12):
P1 - MAIN CONTROL BOARD

JUMPERS & CONFIGURATION SWITCHES (A12):
P2 - RECEIVER ENABLE CONTROL SELECTION
P3 - MEDIA CONTROL SELECTION (RS-234 OR RS-485)
P4 - RS-485 TERMINATION RESISTOR ENABLE (RECEIVE)
P5 - RS-485 TERMINATION RESISTOR ENABLE (TRANSMIT)
P6 - RS-485 INTERFACE 2 WIRE/4 WIRE SELECTION (A)
P7 - RS-485 INTERFACE 2 WIRE/4 WIRE SELECTION (B)

TERMINAL BLOCKS (A12):
TB1 - USER CONNECTIONS TO SERIAL INTERFACE

INDICATOR LIGHTS (A12):
TXD (D1) - SERIAL DATA BEING SENT
RXD (D2) - SERIAL DATA BEING RECEIVED

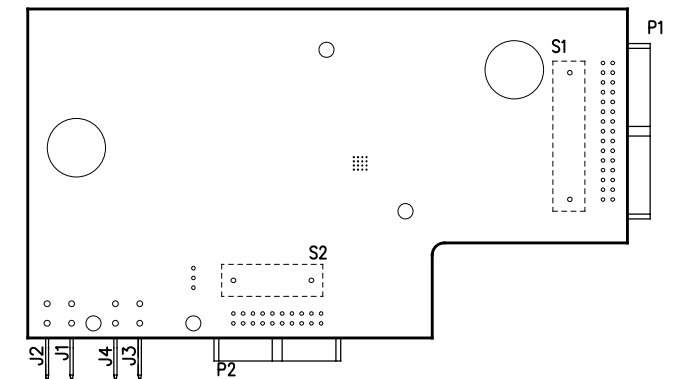
ETHERNET ADAPTER (A22)



NOTE 2

2. ETHERNET ADAPTER (A22) SUPPORTS MULTIPLE PROTOCOLS (DNP3 AND MODBUS) SIMULTANEOUSLY. SEE JA0102-54.

METER MODULE PC BOARD (A28)
MOUNTED ON MAIN CONTROL PC BOARD



CONNECTORS (A5):
P1 - MAIN CONTROL BOARD
J1 - RJ-45 ETHERNET USER CONNECTION

INDICATOR LIGHTS (A5 LEDs):
D1 - ORANGE - ETHERNET SPEED INDICATION 10/100 MBPS
D2 - YELLOW - ETHERNET ACTIVITY (FLASHING)
D3 - RED - ETHERNET LINK

TEST POINTS (A5):
TP1 - CLOCK OUT

MAIN CONTROL PC BOARD (A1)

INDICATOR LIGHTS (LEDs):
LED1 - GREEN - AC ON
LED2 - RED - HIGH DC VOLTAGE ALARM
LED3 - RED - LOW DC VOLTAGE ALARM
LED4 - RED - DC OUTPUT FAILURE ALARM
LED5 - RED - AC INPUT FAILURE ALARM
LED6 - RED - POSITIVE (+) GROUND ALARM
LED7 - RED - NEGATIVE (-) GROUND ALARM
LED8 - RED - COMMON ALARM
LED9 - RED - ACTION REQUIRED ALARM
LED10 - GREEN - HEALTHY OPERATION
DS1 - RED - HIGH LEVEL SHUTDOWN (HLD)
DS2 - RED - ANALOG LOW VOLTAGE ALARM (LLD)
DS3 - RED - MEMORY CARD ACTIVITY

JUMPERS:
J1 - ANALOG HIGH VOLTAGE SHUTDOWN JUMPER
J3 - SD CARD PORT
JP4 - RE-FLASH (FIELD PROGRAMMING) JUMPER

TERMINAL BLOCKS:
TB6 - COMMON ALARM RELAY CONTACTS

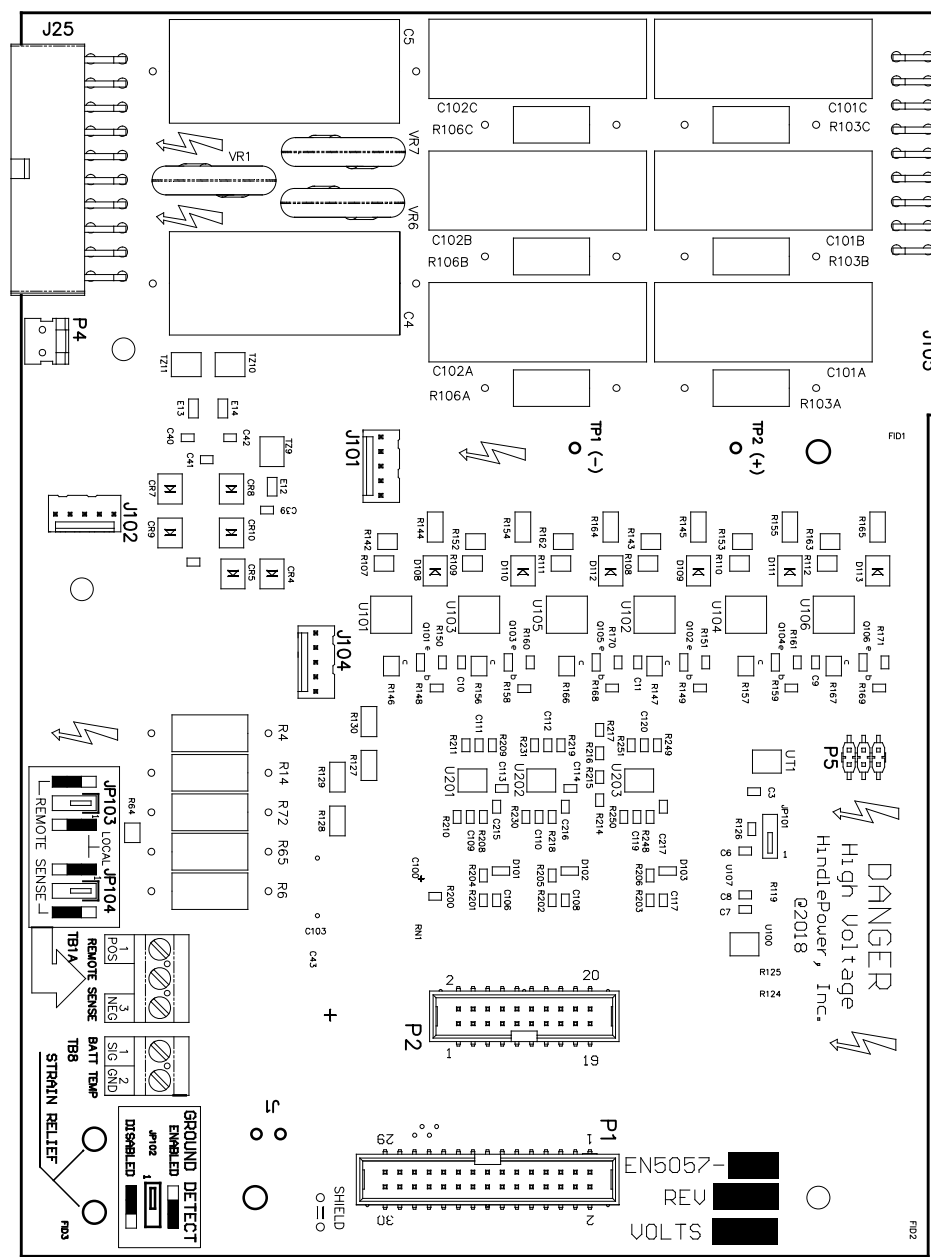
TEST POINTS:
1.8V - 1.8 VOLTS
3.3V - 3.3 VOLTS
5V - 5.0 VOLTS
GND - GROUND
AGND - ANALOG GROUND
SDA - MAIN BOARD 12C DATA
SCL - MAIN BOARD 12C CLOCK

SWITCHES:
S1 - DISPLAY BUTTON
S2 - CHARGE MODE BUTTON
S3 - EQUALIZE METHOD BUTTON
S4 - ESCAPE (ESC) BUTTON
S5 - LEFT ARROW BUTTON
S6 - MENU BUTTON
S7 - UP ARROW BUTTON
S8 - EDIT / ENTER BUTTON
S9 - DOWN ARROW BUTTON
S10 - ALARM BUTTON
S11 - RIGHT ARROW BUTTON
S12 - HINDLE HEALTH (HHS) BUTTON
S13 - SYSTEM RESET BUTTON (BACK OF BOARD)

CONNECTORS:
P1 - POWER BOARD RIBBON
P2 - 3 PHASE RECTIFIER RIBBON
P3 - USB EXPANSION PORT
P4 - SPI & I2C EXPANSION PORT #1
P5 - SPI & I2C EXPANSION PORT #2
P6 - DISPLAY SPI PORT
P7 - DISPLAY JTAG PORTS
P10 - SERIAL INTERFACE PORT #1
P11 - SERIAL INTERFACE PORT #2
P12 - SERIAL INTERFACE PORT #3
P13 - ETHERNET INTERFACE PORT
P17 - GENERAL EXPANSION PORT

I/O TERMINAL	DESCRIPTION - TYPE	CONNECTION
(A1) TB6	SUMMARY ALARM TERMINAL BLOCK (A1) - SOLDERLESS COMP SCREW	#22-14 AWG
(A12) TB1	RS-232 / RS-485 USER CONNECTIONS - SOLDERLESS COMP SCREW	#22-14 AWG
(A22) J1	ETHERNET CONNECTION - RJ45 PLUG	CATS

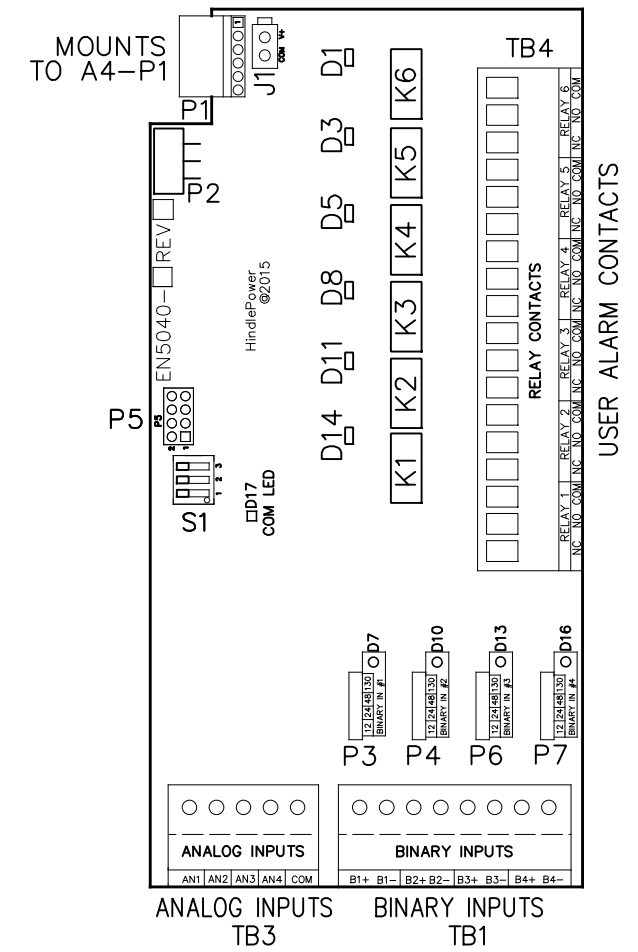
REV. 0	DRN BY KJB	CHK BY MCR	APP BY MCR	DATE 10/26/2021	DRN BY KJB	DATE 10/26/2021	TITLE ATEVO 3PH BATTERY CHARGER CONTROL PANEL / PC BOARD DETAIL 3Ø WITH COMMON OPTIONS 125-300A	B	SCALE NTS DWG No JE5339-24	REV 0 SHEET 1 OF 2
DESCRIPTION STANDARD DRAWINGS.					CHK BY MCR	DATE 10/26/2021				
ECN NO. N/A					CHK BY MCR	DATE 10/26/2021				



MOUNTS TO A2-J105

- USER TERMINALS ON POWER BOARD (A2):**
 TB1 - REMOTE VOLTAGE SENSE
 TB8 - BATTERY TEMPERATURE COMPENSATION
- JUMPERS ON POWER BOARD (A2):**
 JP102 - GROUND DETECT CIRCUIT ENABLE / DISABLE
 JP103 - REMOTE OR LOCAL SENSE SELECTOR (+)
 JP104 - REMOTE OR LOCAL SENSE SELECTOR (-)
- CONNECTORS ON POWER BOARD (A2):**
 J1 - POWER OUT
 J25 - MAIN CONTROL SIGNAL HARNESS
 J26 - SCR FIRING CONTROL HARNESS
 J101 - DC POWER SUPPLY
 J102 - DC POWER SUPPLY
 J104 - BATTERY SHUNT
 J105 - AUXILIARY I/O BOARD
 P1 - MAIN CONTROL BOARD RIBBON 1
 P2 - MAIN CONTROL BOARD RIBBON 2
 P4 - CB1 AUX
 P5 - RECTIFIER TEMP SENSOR INTERFACE
- TEST POINTS ON POWER BOARD (A2):**
 TP1 - PRE-FILTERED DC BUS (-)
 TP2 - PRE-FILTERED DC BUS (+)

POWER BOARD (A2)

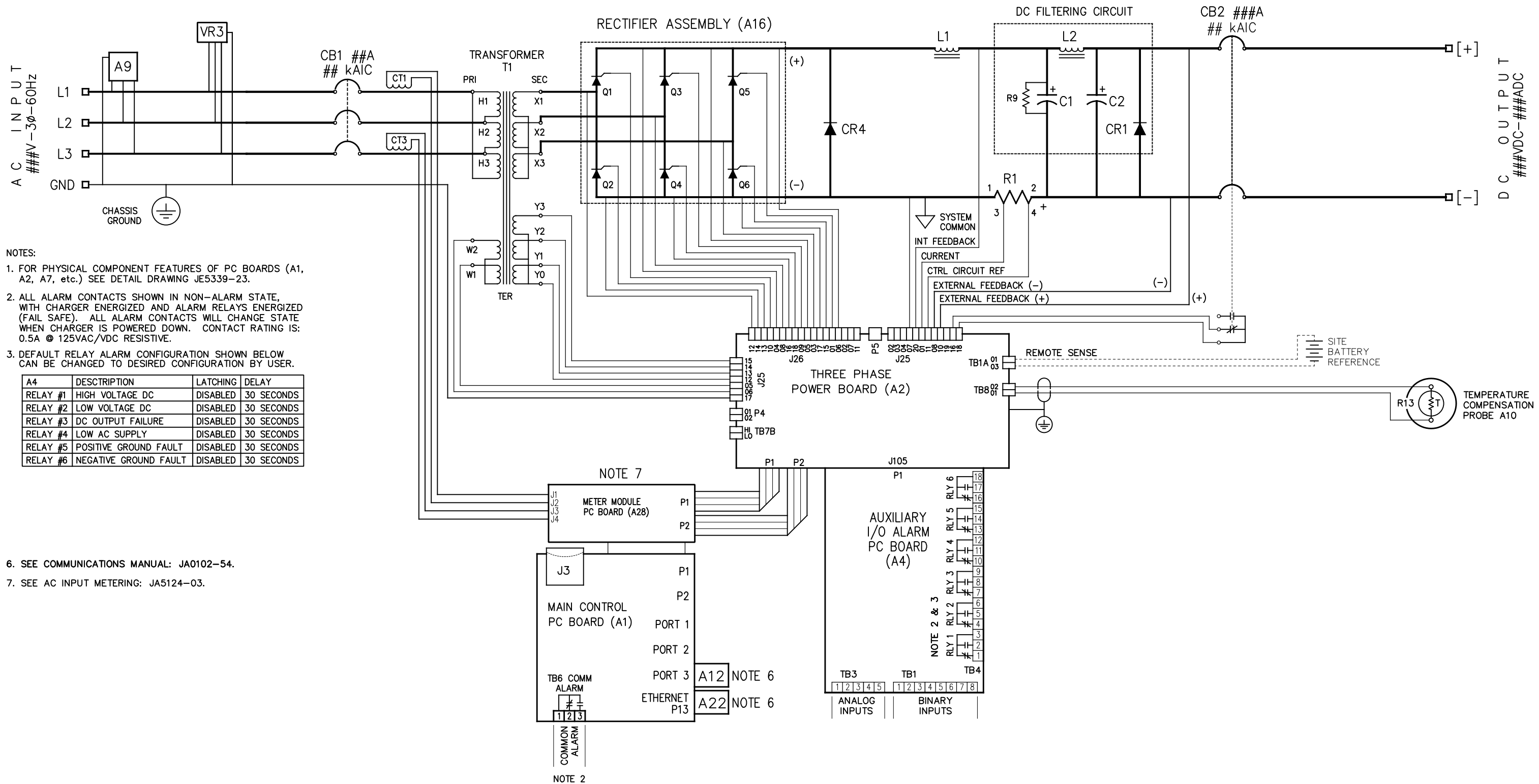


AUXILIARY I/O BOARD (A4)

- JUMPERS & CONFIGURATION SWITCHES FOR AUX I/O BOARD (A4)**
 J1 - AUXILIARY POWER INPUT
 P1 - POWER BOARD (PRIMARY POWER & COMM SOURCE)
 P5 - PROGRAMMING HEADER
- USER TERMINALS ON RELAY BOARD (A4):**
 D1 - RED - RELAY #6 IN ALARM STATE
 D3 - RED - RELAY #5 IN ALARM STATE
 D5 - RED - RELAY #4 IN ALARM STATE
 D7 - YELLOW - BINARY INPUT #1 IS ABOVE THRESHOLD
 D8 - RED - RELAY #3 IN ALARM STATE
 D10 - YELLOW - BINARY INPUT #2 IS ABOVE THRESHOLD
 D11 - RED - RELAY #2 IN ALARM STATE
 D13 - YELLOW - BINARY INPUT #3 IS ABOVE THRESHOLD
 D14 - RED - RELAY #1 IN ALARM STATE
 D16 - YELLOW - BINARY INPUT #4 IS ABOVE THRESHOLD
 D17 - GREEN - COMMUNICATION TO MAIN BOARD (FLASHING)
- USER TERMINALS ON RELAY BOARD (A4):**
 TB1 - BINARY INPUTS
 TB2 - SERIAL INTERFACE
 TB3 - ANALOG INPUTS
 TB4 - AUXILIARY I/O RELAY CONTACTS
- JUMPERS & CONFIGURATION SWITCHES**
 P3, 4, 6, 7 - BINARY INPUT VOLTAGE CONFIGURATION JUMPERS
 S1 - BOARD ADDRESS DIPSWITCH

I/O TERMINAL	DESCRIPTION - TYPE	CONNECTION
(A2) TB1A	POS/NEG REMOTE SENSE TERMS (A2) - SOLDERLESS COMPRESSION SCREW	#22-14 AWG
(A2) TB8	TEMPCO PROBE (A10) TERM BLK - SOLDERLESS COMPRESSION SCREW	#22-14 AWG
(A4) TB1	AUX I/O BINARY INPUTS (A4) - SOLDERLESS COMPRESSION SCREW	#22-14 AWG
(A4) TB3	AUX I/O ANALOG INPUTS (A4) - SOLDERLESS COMPRESSION SCREW	#22-14 AWG
(A4) TB4	AUX I/O RELAY CONTACTS (A4) - SOLDERLESS COMPRESSION SCREW	#22-14 AWG

DRN BY KJB	DATE: 10/26/2021	TITLE ATEVO BATTERY CHARGER CONTROL PANEL / PC BOARD DETAIL 3Ø WITH COMMON OPTIONS 125-300A	SCALE NTS	DWG No JE5339-24	REV 0	SHEET 2 OF 2
CHK BY MCR	DATE: 10/26/2021					
CHK BY MCR	DATE: 10/26/2021					



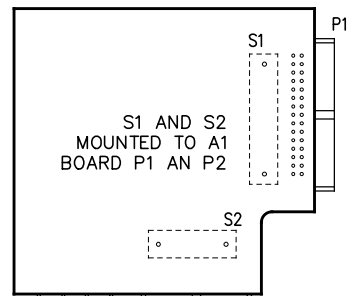
- NOTES:
- FOR PHYSICAL COMPONENT FEATURES OF PC BOARDS (A1, A2, A7, etc.) SEE DETAIL DRAWING JE5339-23.
 - ALL ALARM CONTACTS SHOWN IN NON-ALARM STATE, WITH CHARGER ENERGIZED AND ALARM RELAYS ENERGIZED (FAIL SAFE). ALL ALARM CONTACTS WILL CHANGE STATE WHEN CHARGER IS POWERED DOWN. CONTACT RATING IS: 0.5A @ 125VAC/VDC RESISTIVE.
 - DEFAULT RELAY ALARM CONFIGURATION SHOWN BELOW CAN BE CHANGED TO DESIRED CONFIGURATION BY USER.

A4	DESCRIPTION	LATCHING	DELAY
RELAY #1	HIGH VOLTAGE DC	DISABLED	30 SECONDS
RELAY #2	LOW VOLTAGE DC	DISABLED	30 SECONDS
RELAY #3	DC OUTPUT FAILURE	DISABLED	30 SECONDS
RELAY #4	LOW AC SUPPLY	DISABLED	30 SECONDS
RELAY #5	POSITIVE GROUND FAULT	DISABLED	30 SECONDS
RELAY #6	NEGATIVE GROUND FAULT	DISABLED	30 SECONDS

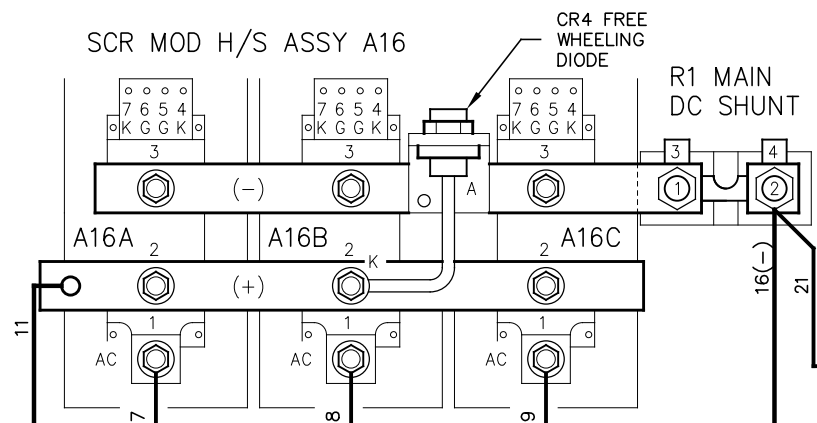
- SEE COMMUNICATIONS MANUAL: JA0102-54.
- SEE AC INPUT METERING: JA5124-03.

REV. DRN BY 0 KJB	CHK BY MCR	APP BY MCR	DATE 10/26/2021	DRN BY KJB	DATE 10/26/2021
DESCRIPTION STANDARD DRAWINGS.				CHK BY MCR	DATE 10/26/2021
ECN NO. N/A				CHK BY MCR	DATE 10/26/2021
			TITLE BATTERY CHARGER SCHEMATIC: STYLE 5030 3φ WITH COMMON OPTIONS 125-300A		
		SCALE NTS	DWG No JE5340-24	REV 0	SHEET 1 OF 1

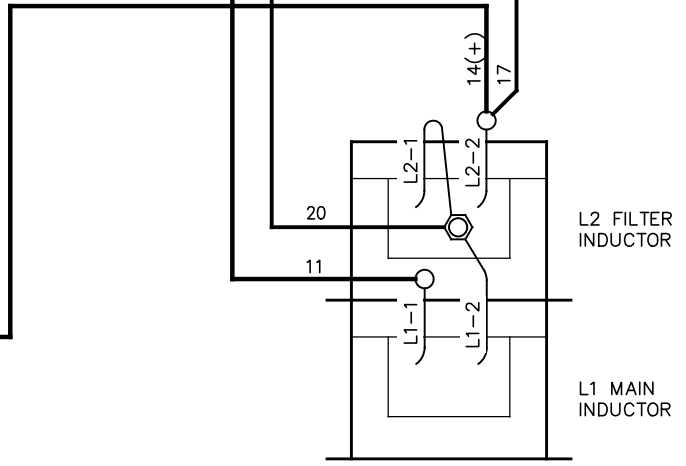
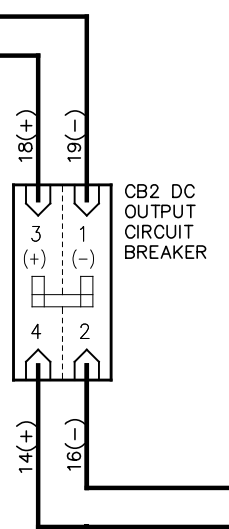
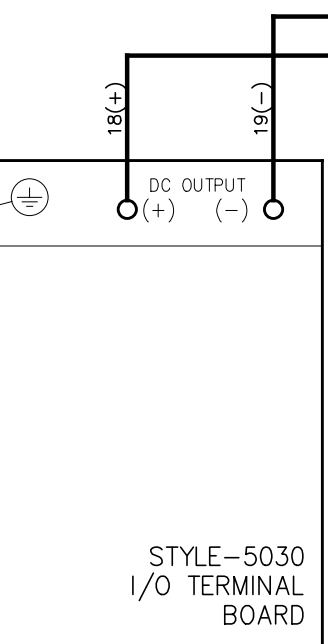
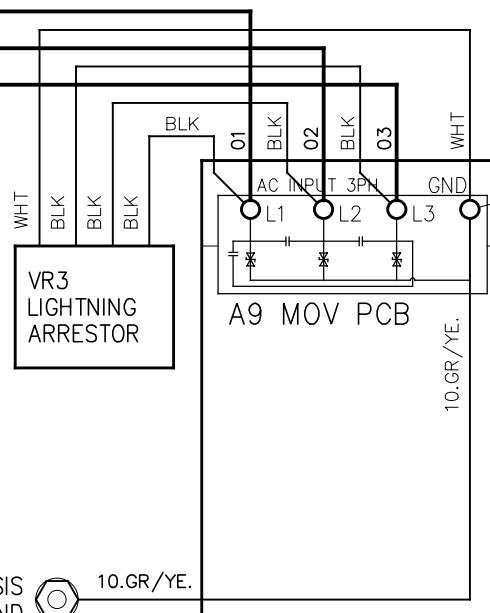
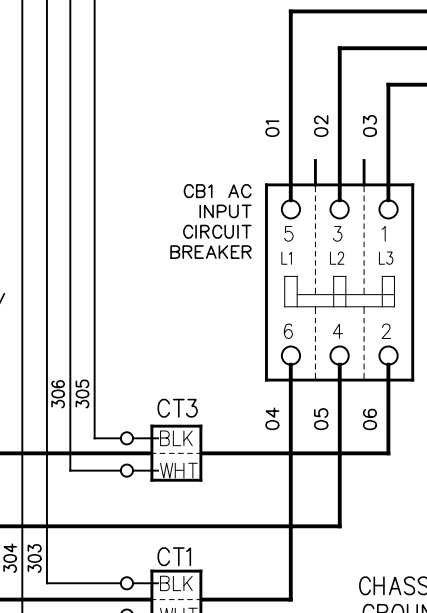
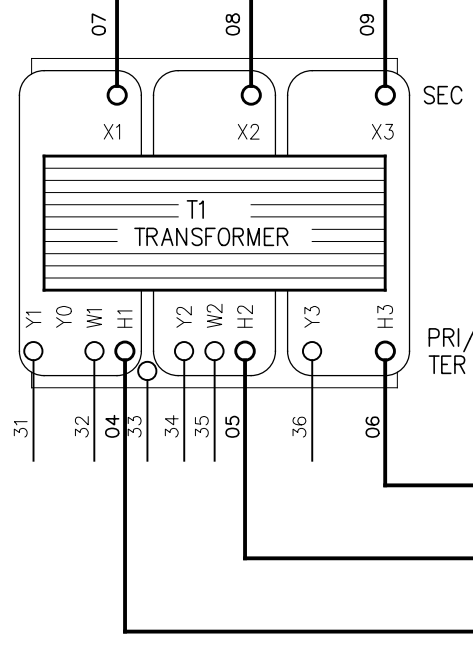
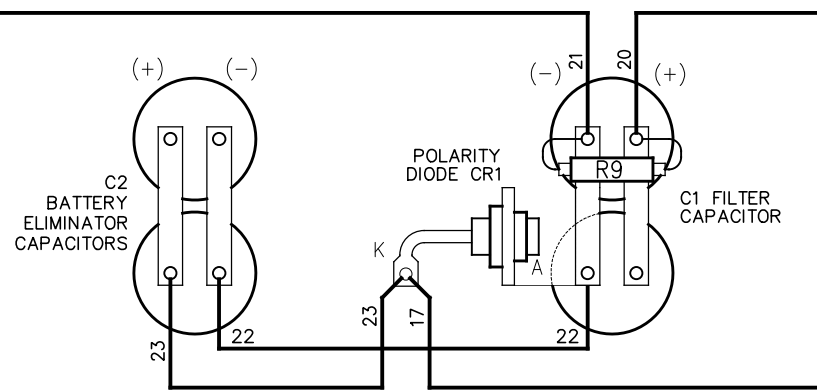
METER MODULE PC BOARD (A28)



SCR MOD H/S ASSY A16



CR4 FREE WHEELING DIODE
R1 MAIN DC SHUNT



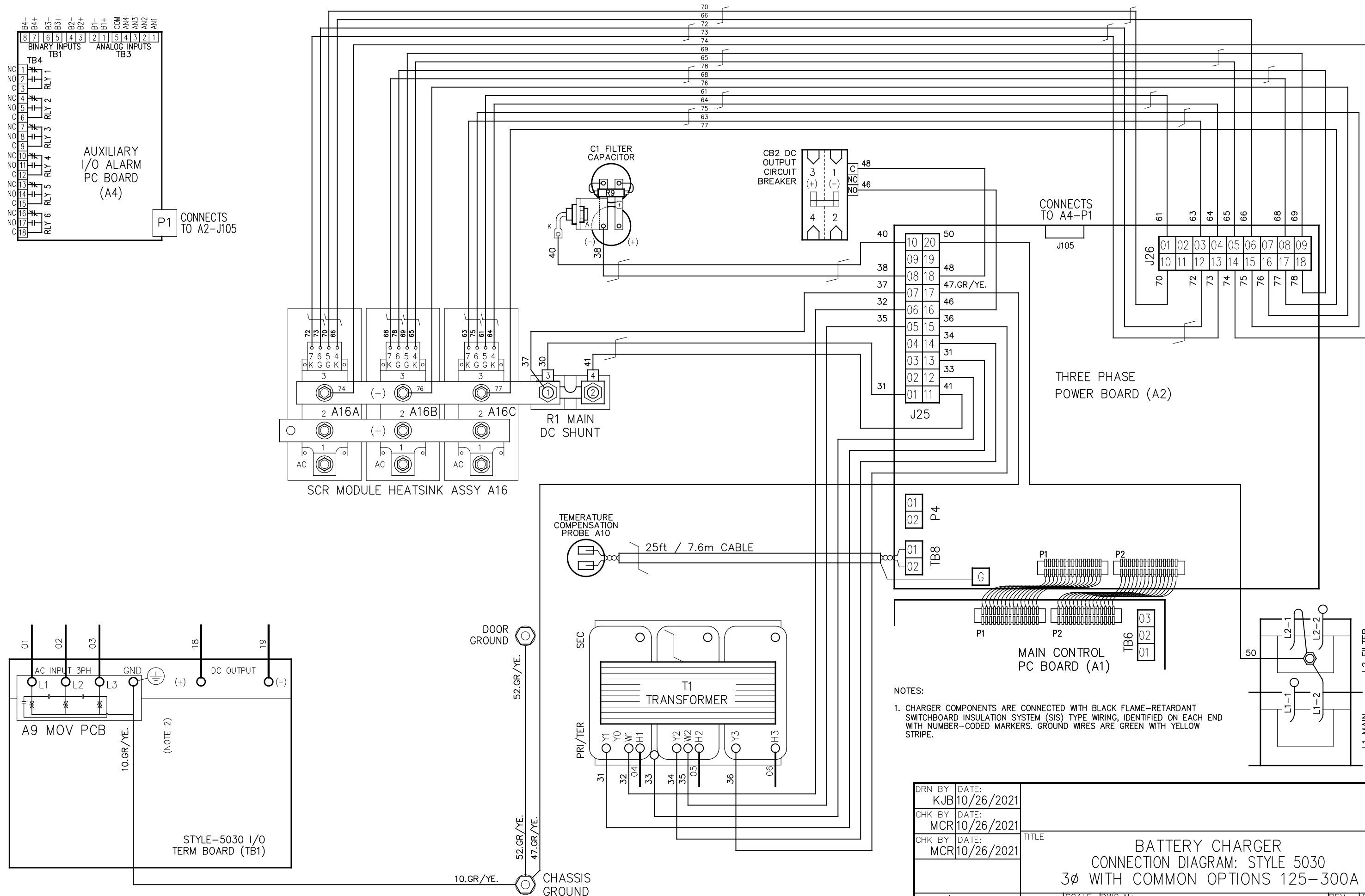
- NOTES:
1. CHARGER COMPONENTS ARE CONNECTED WITH BLACK FLAME-RETARDANT SWITCHBOARD INSULATION SYSTEM (SIS) TYPE WIRING, IDENTIFIED ON EACH END WITH NUMBER-CODED MARKERS. GROUND WIRES ARE GREEN WITH YELLOW STRIPE.
 2. THIS DRAWING (SHEET 1) SHOWS THE MAINFRAME POWER WIRING AND USER CONNECTION CONTACTS TO CONTROL PC BOARDS (A1 & A2). SEE SHEET 2 FOR ALL CONTROL (SIGNAL) WIRING.

REV. 2	DRN BY KJB	CHK BY MCR	APP BY MCR	DATE 9/11/2023	DRN BY KJB	DATE: 10/26/2021
DESCRIPTION REVISED T1 SINGAL WIRING ORDER.					CHK BY MCR	DATE: 10/26/2021
ECN NO. N/A					CHK BY MCR	DATE: 10/26/2021

TITLE
BATTERY CHARGER
CONNECTION DIAGRAM: STYLE 5030
3φ WITH COMMON OPTIONS 125-300A

SCALE NTS DWG No JE5341-24

REV 2 SHEET 1 OF 2



NOTES:
 1. CHARGER COMPONENTS ARE CONNECTED WITH BLACK FLAME-RETARDANT SWITCHBOARD INSULATION SYSTEM (SIS) TYPE WIRING, IDENTIFIED ON EACH END WITH NUMBER-CODED MARKERS. GROUND WIRES ARE GREEN WITH YELLOW STRIPE.

DRN BY KJB	DATE: 10/26/2021
CHK BY MCR	DATE: 10/26/2021
CHK BY MCR	DATE: 10/26/2021

TITLE		BATTERY CHARGER CONNECTION DIAGRAM: STYLE 5030 3φ WITH COMMON OPTIONS 125-300A	
SCALE NTS	DWG No JE5341-24	REV 2	SHEET 2 OF 2